
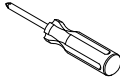
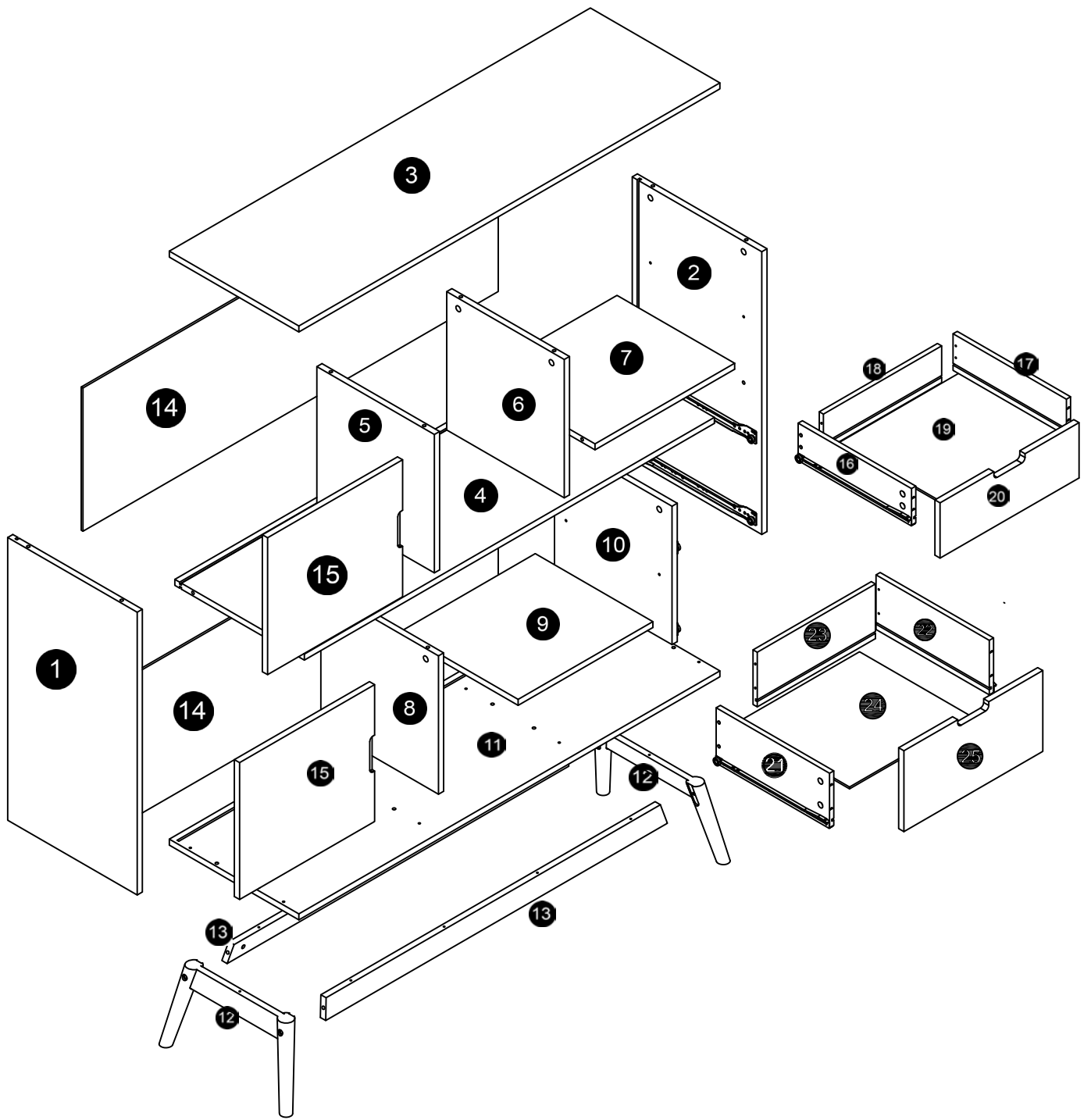


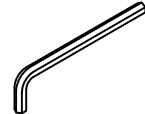



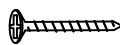
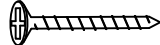
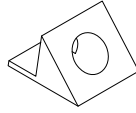



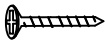
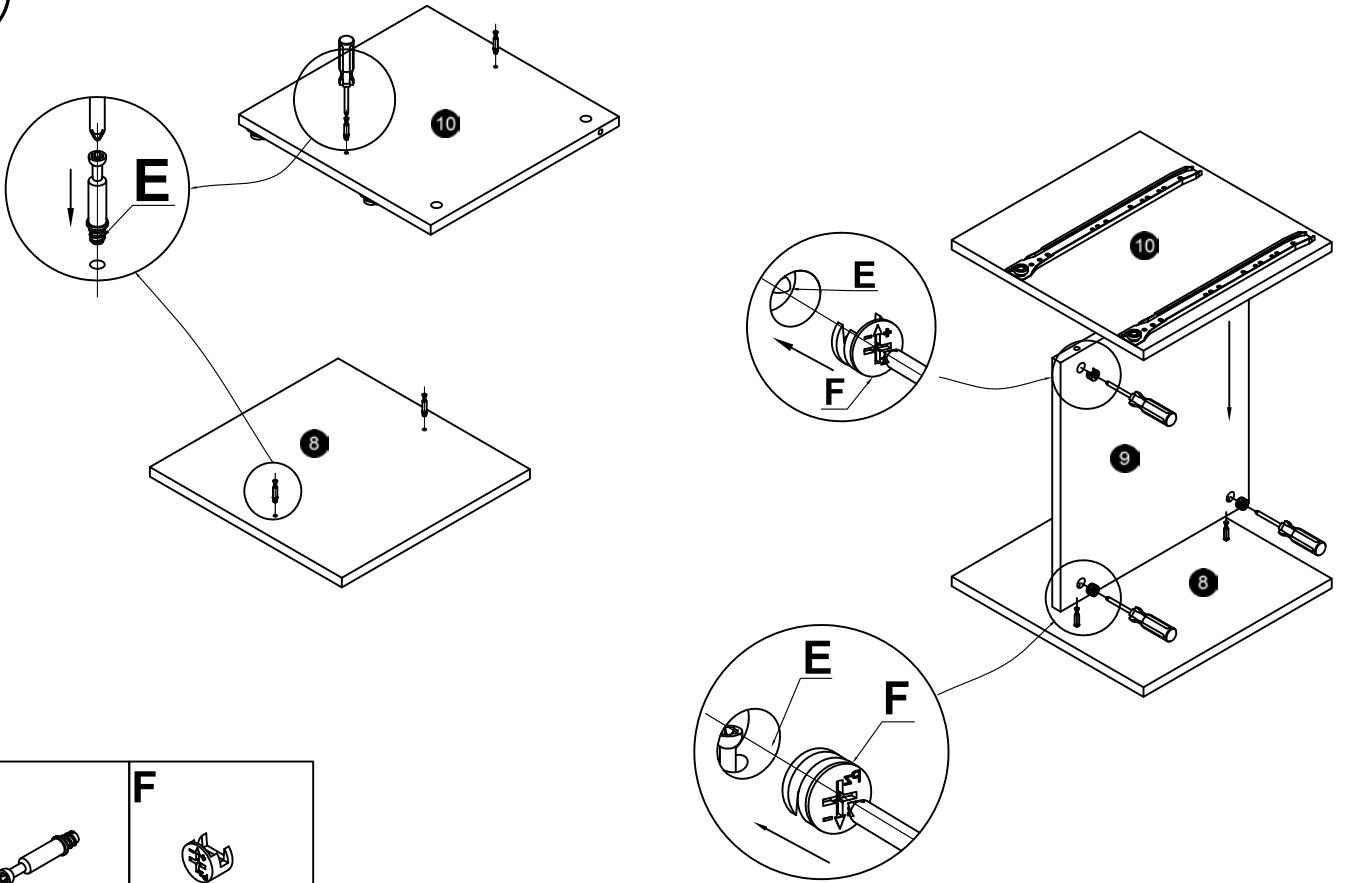


 30 MIN		
--	---	---



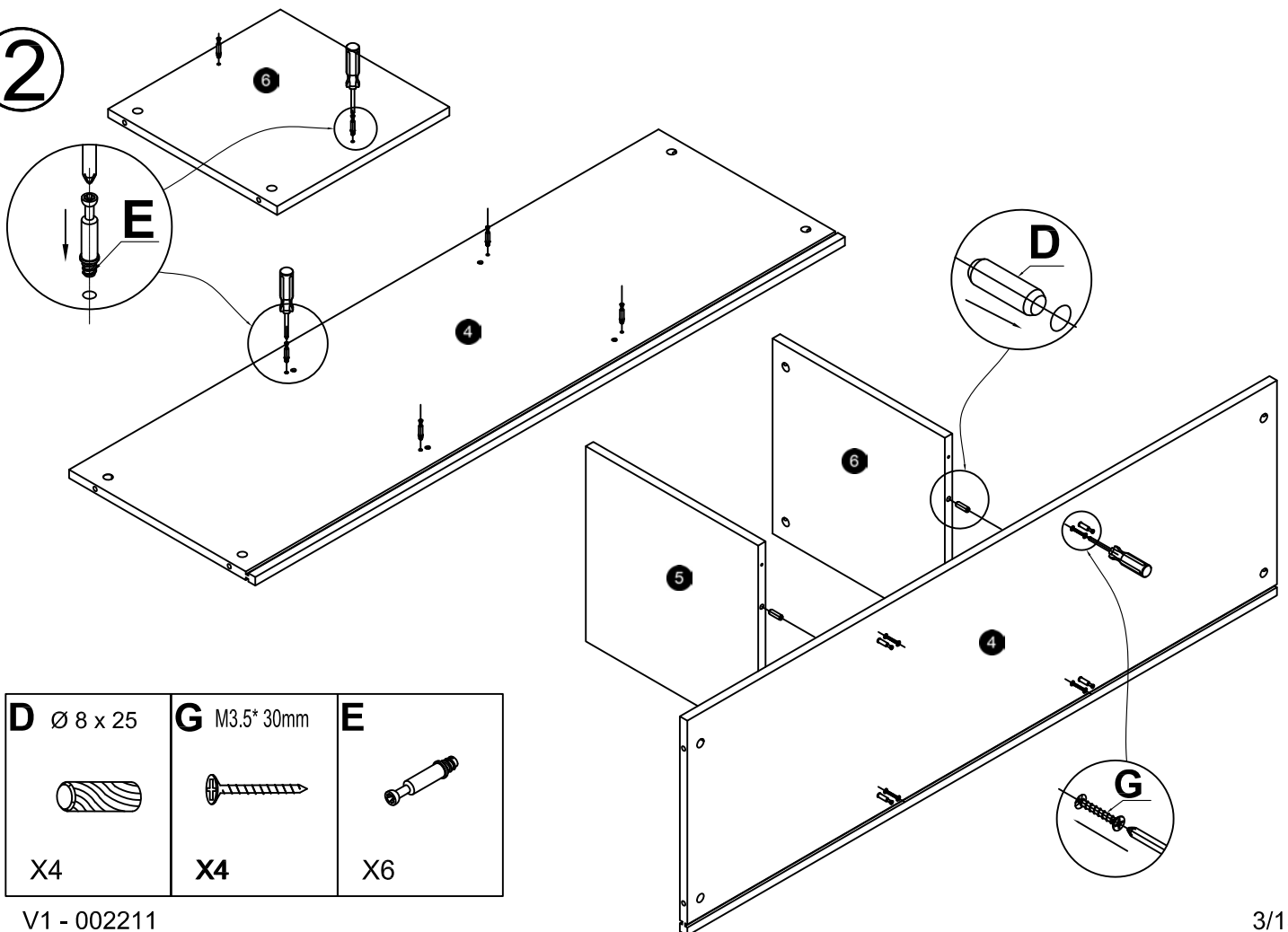
A Ø6*80mm  X4	B Ø6*10mm  X4	C M4  X1	D Ø 8 x 25  X12	E  X32	F  X32	G M3.5* 30mm  X12	H M4 * 45mm  X10
I  X8	J M3.5 * 15mm  X32	K  X2	L  X2	M M3.5* 25mm  X8			


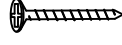

1



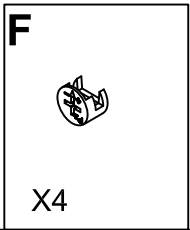
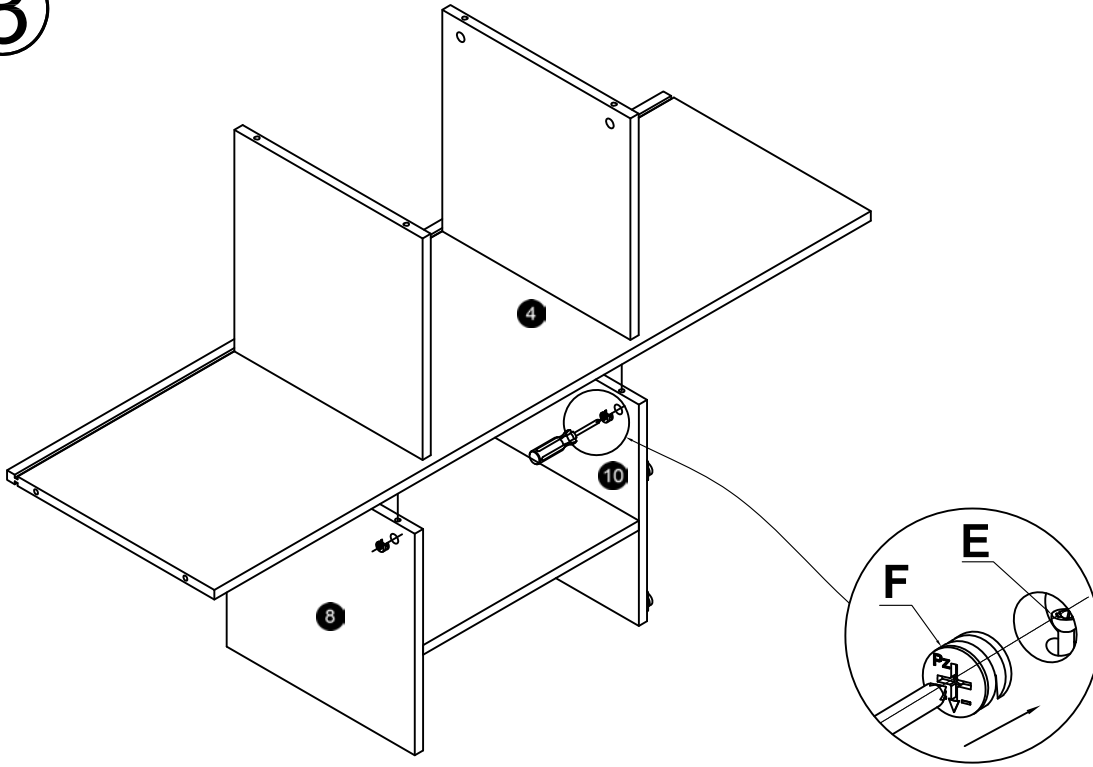
E	F
	
X4	X4

2

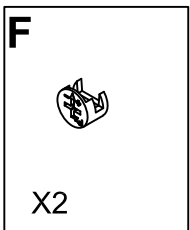
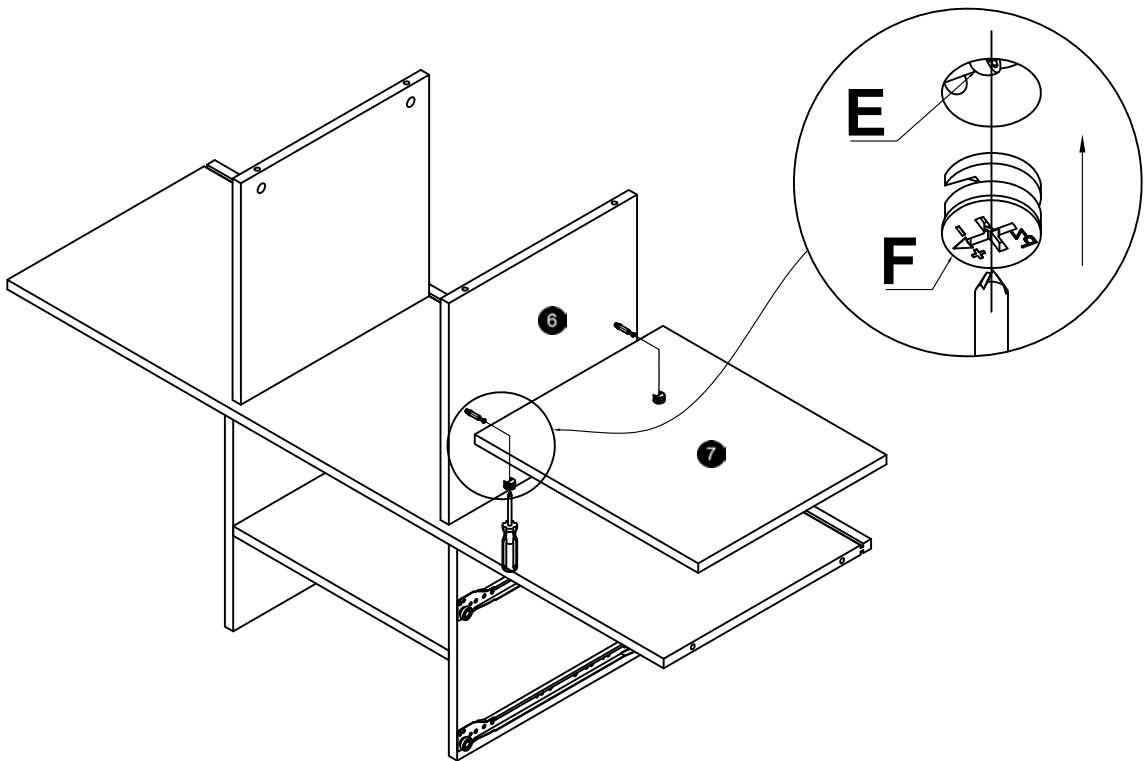


D Ø 8 x 25	G M3.5* 30mm	E
		
X4	X4	X6

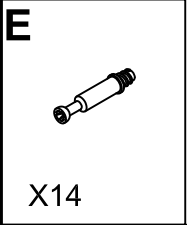
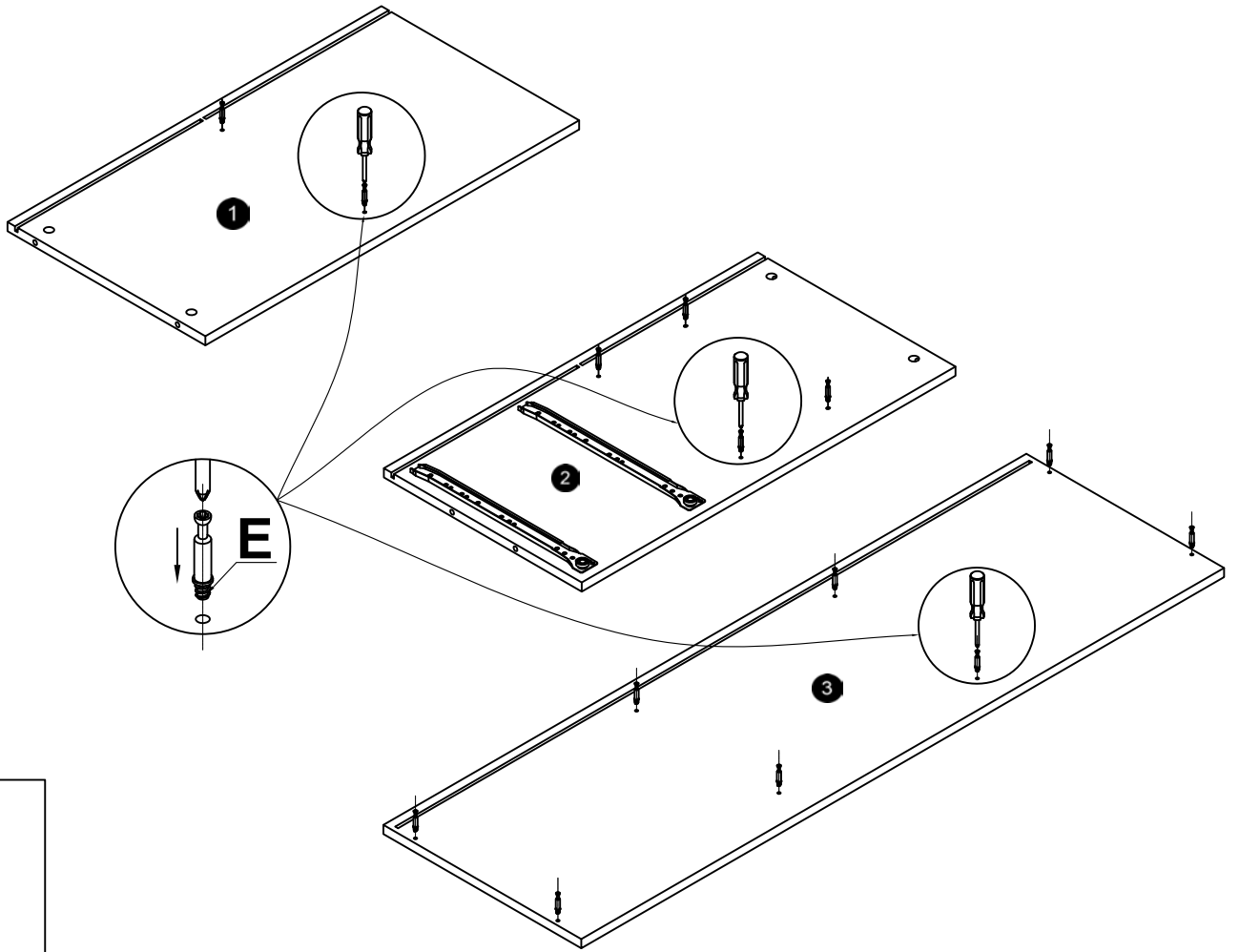
3



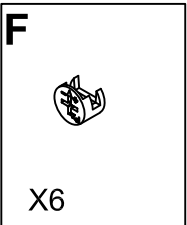
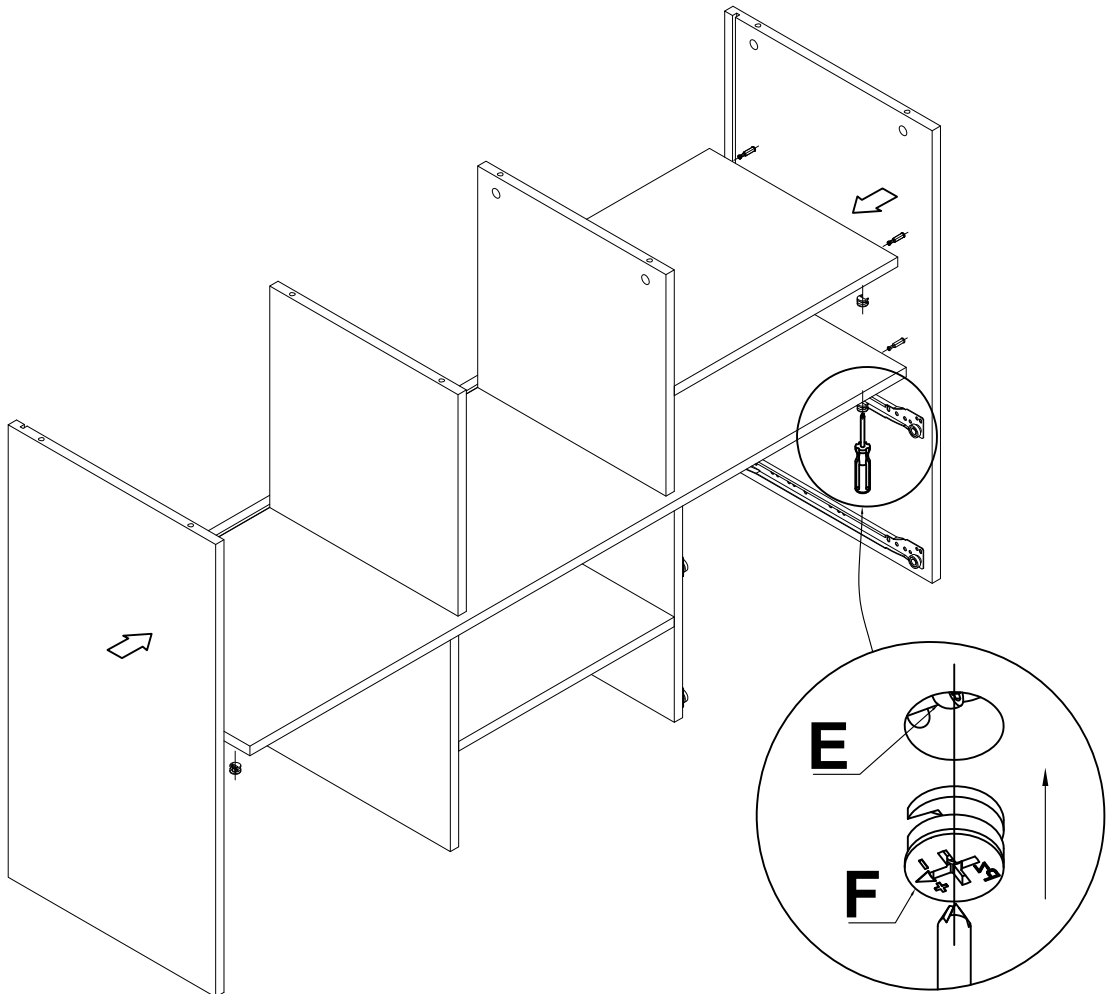
4



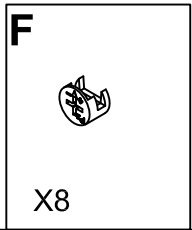
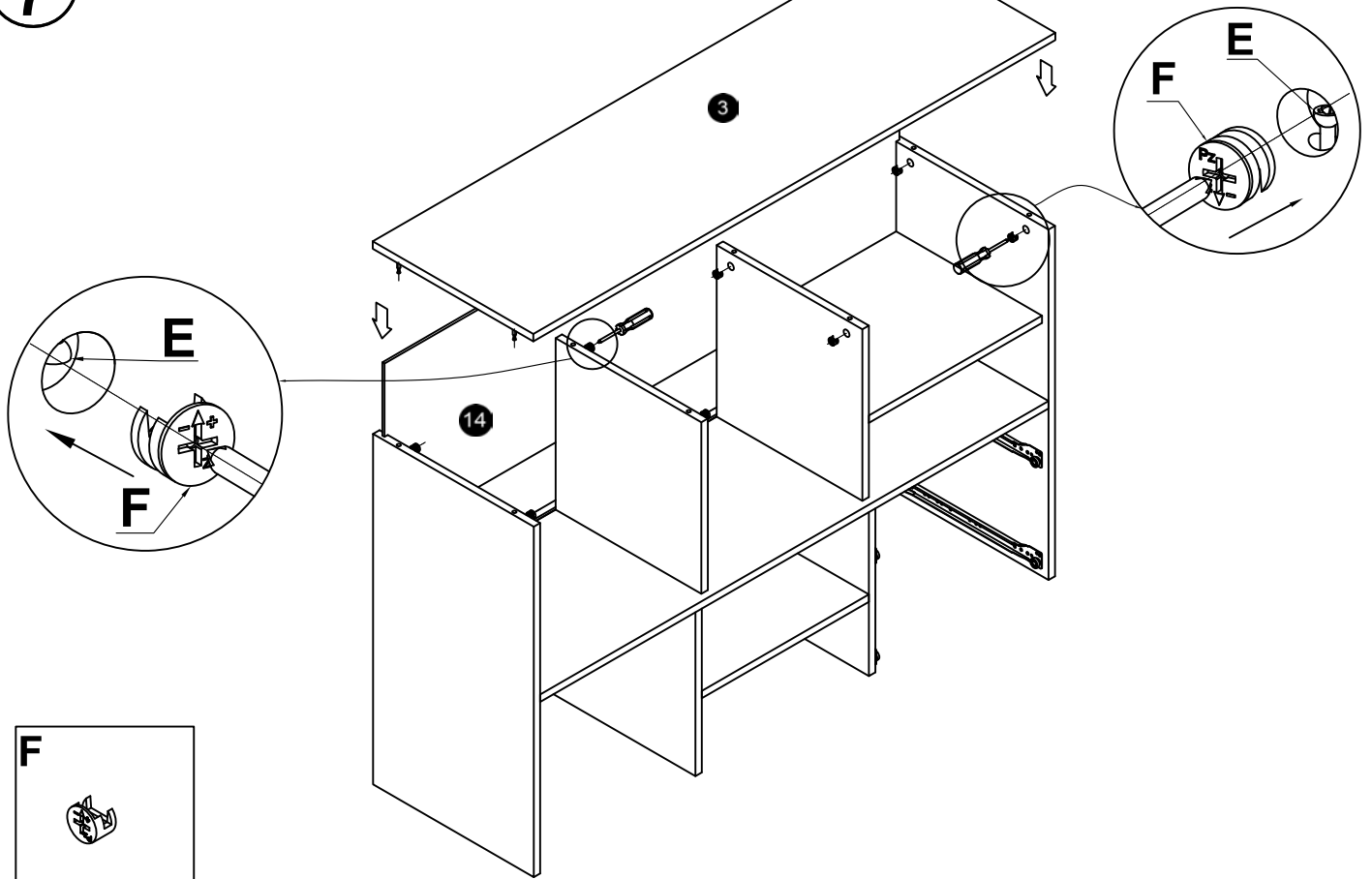
5



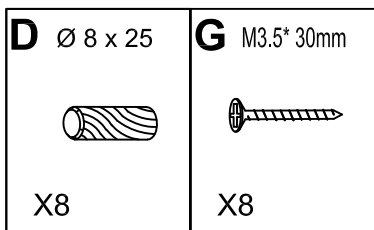
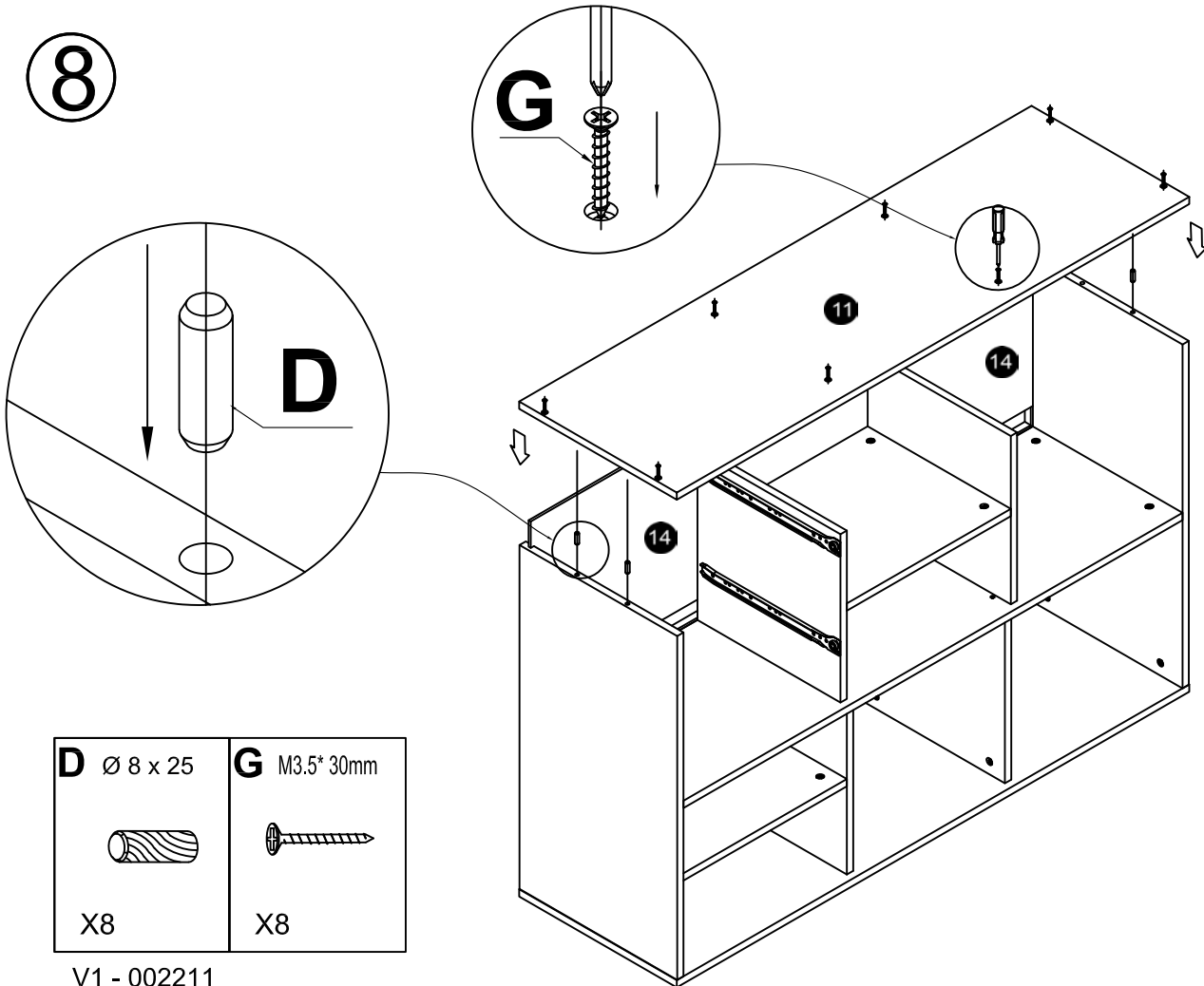
6



7

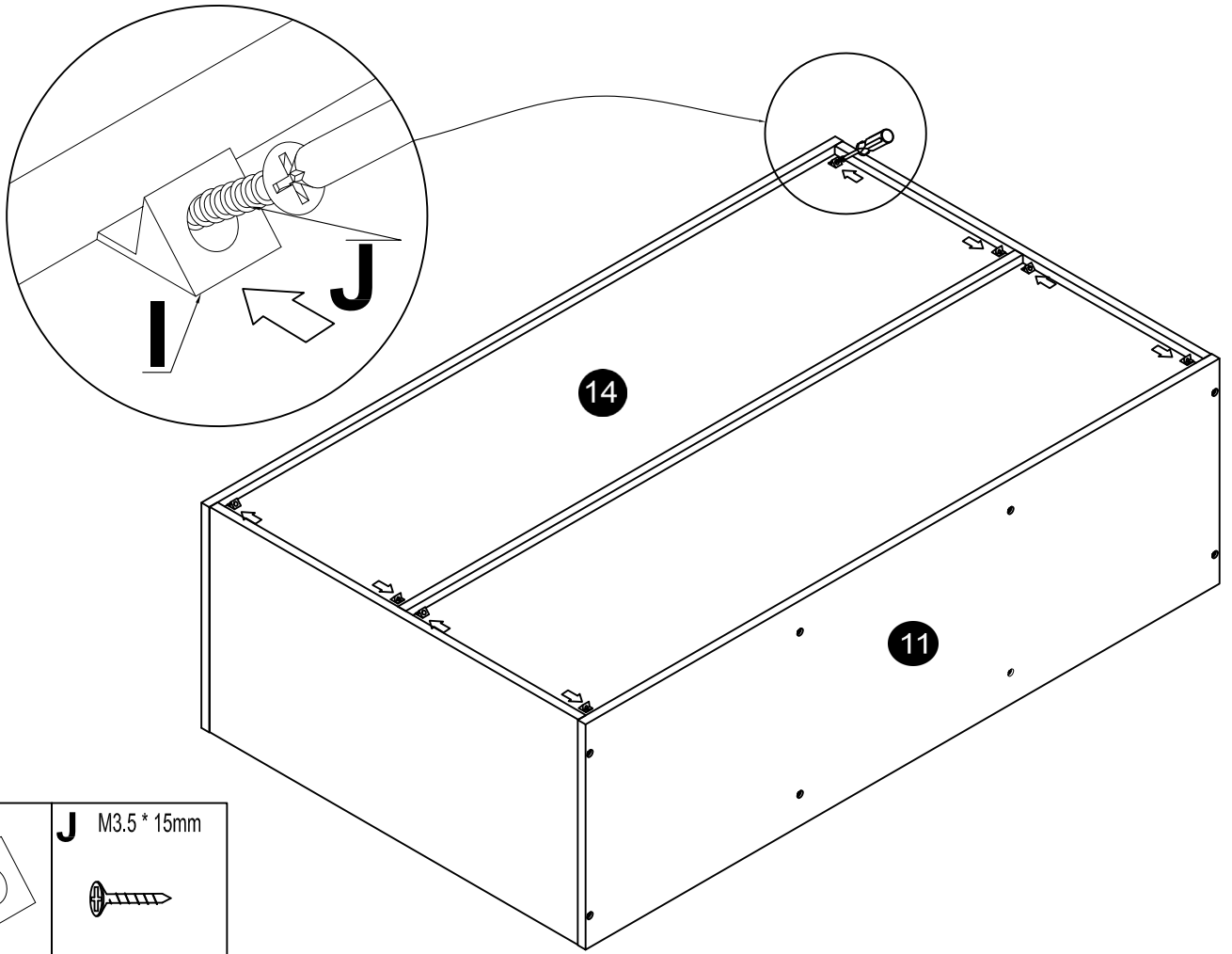


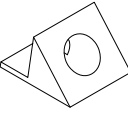

8



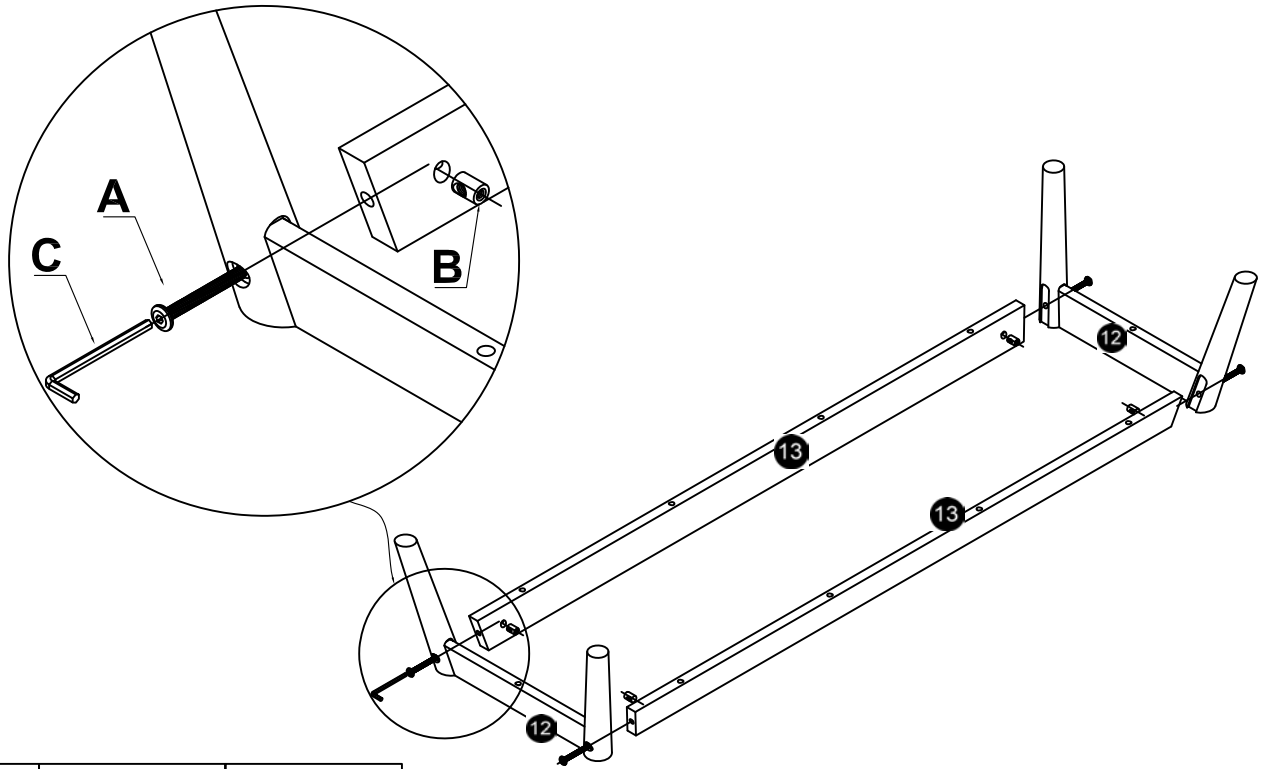
V1 - 002211

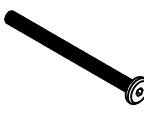


9



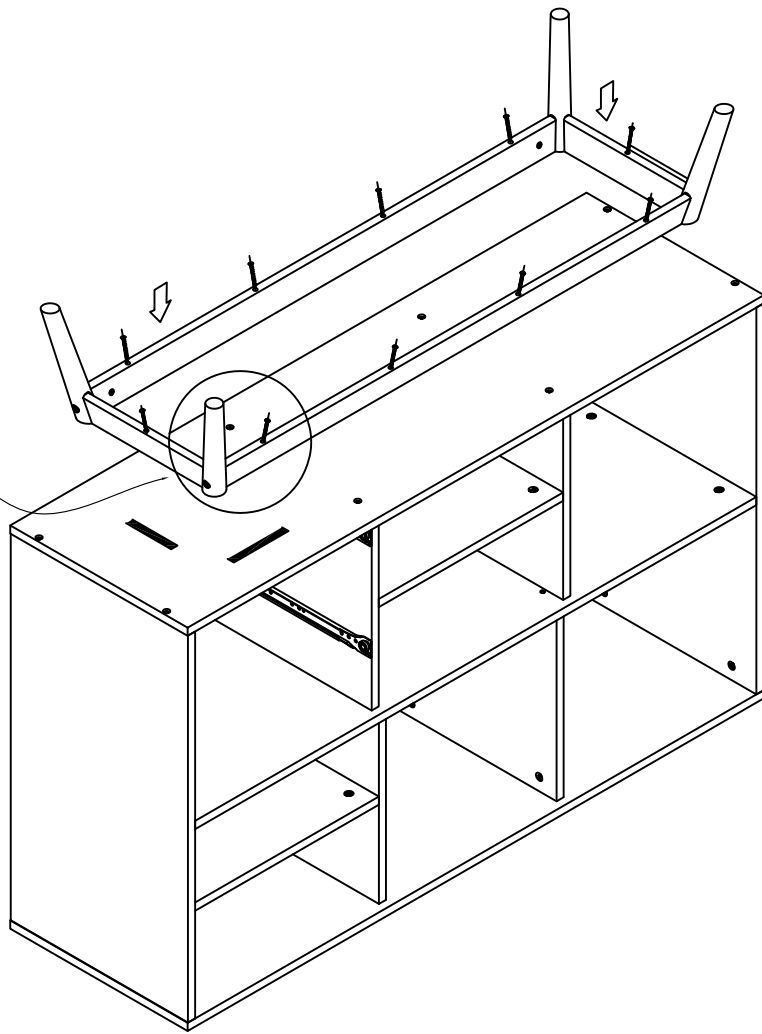
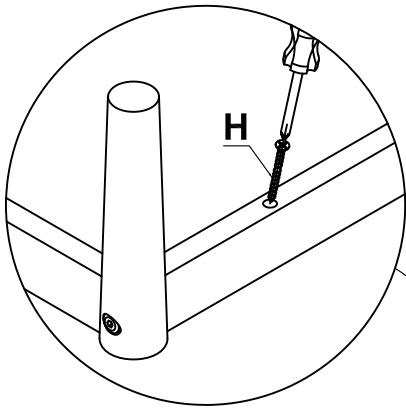
<p>I</p>  <p>X8</p>	<p>J M3.5 * 15mm</p>  <p>X8</p>
--	--

10



<p>A Ø6*80mm</p>  <p>X4</p>	<p>B Ø6*13mm</p>  <p>X4</p>	<p>C M4</p>  <p>X1</p>
---	---	--

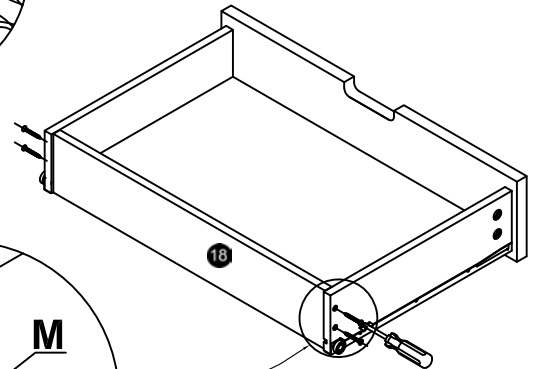
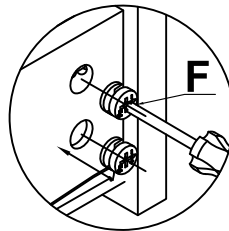
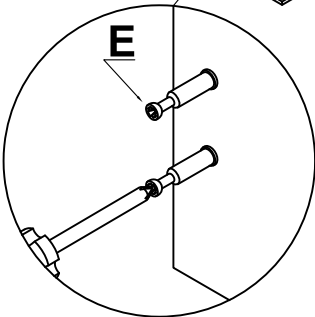
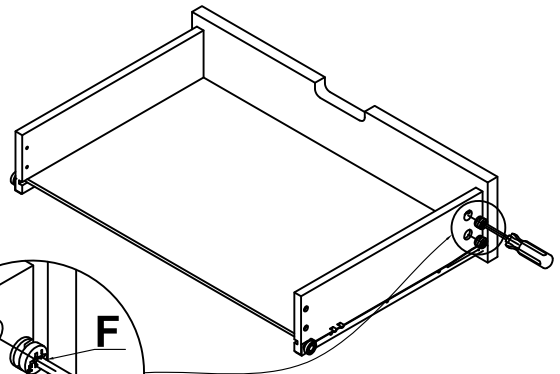
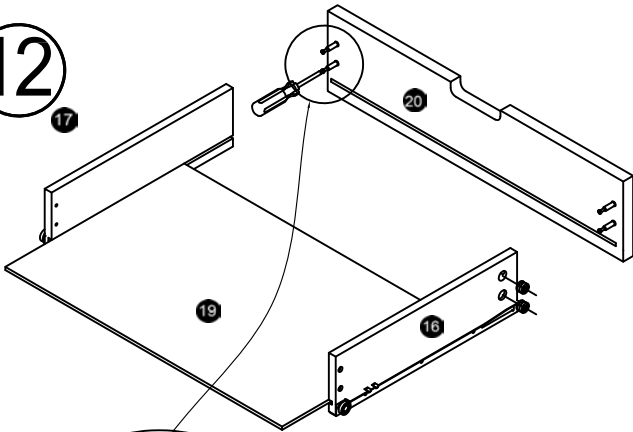
11



H M4 * 45mm

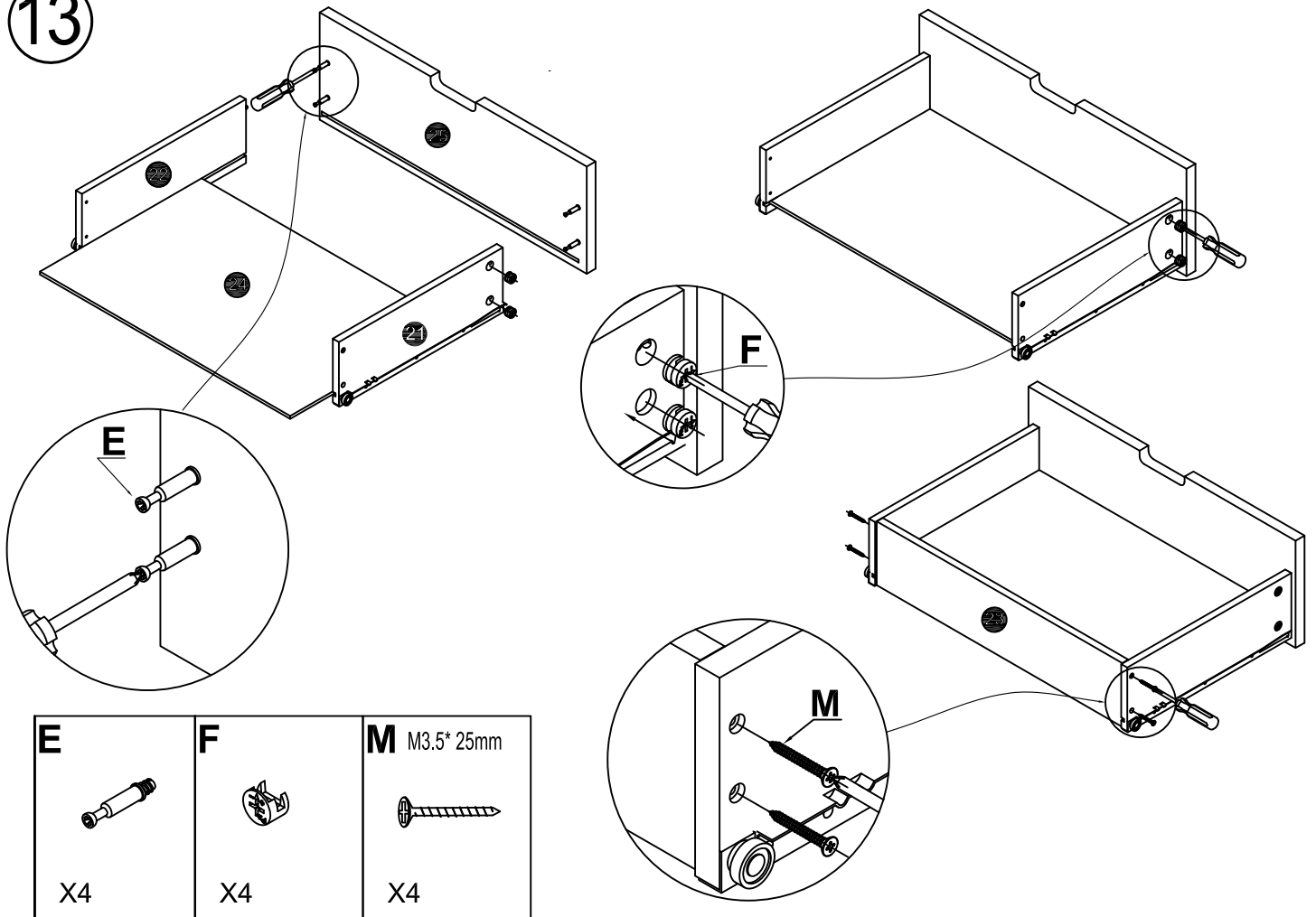
X10

12

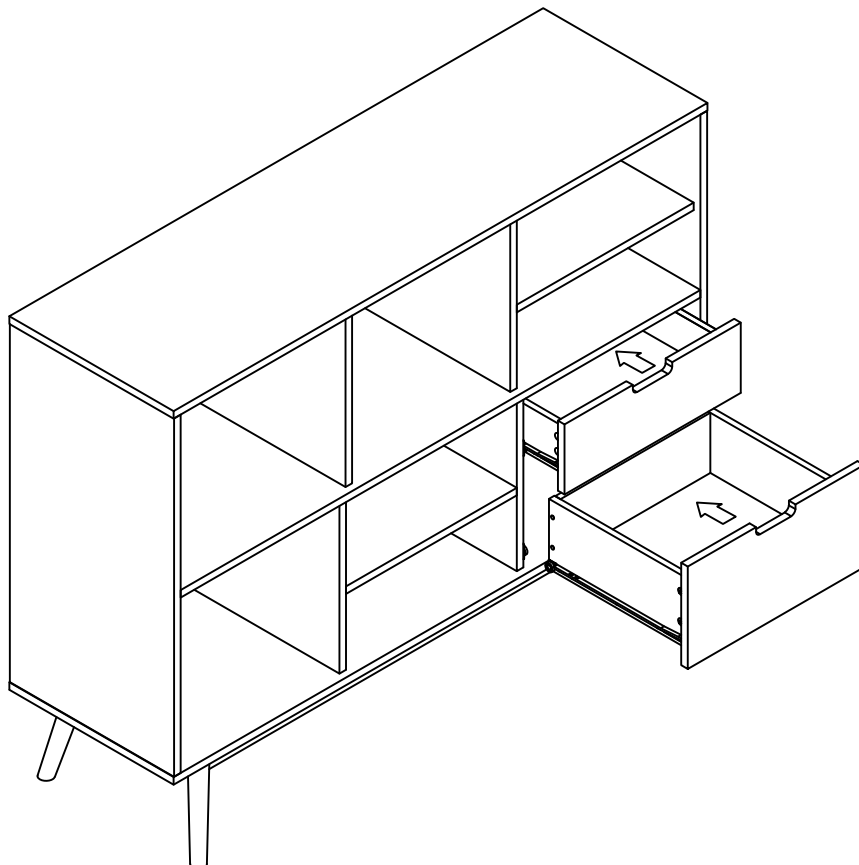


E	F	M M3.5* 25mm
X4	X4	X4

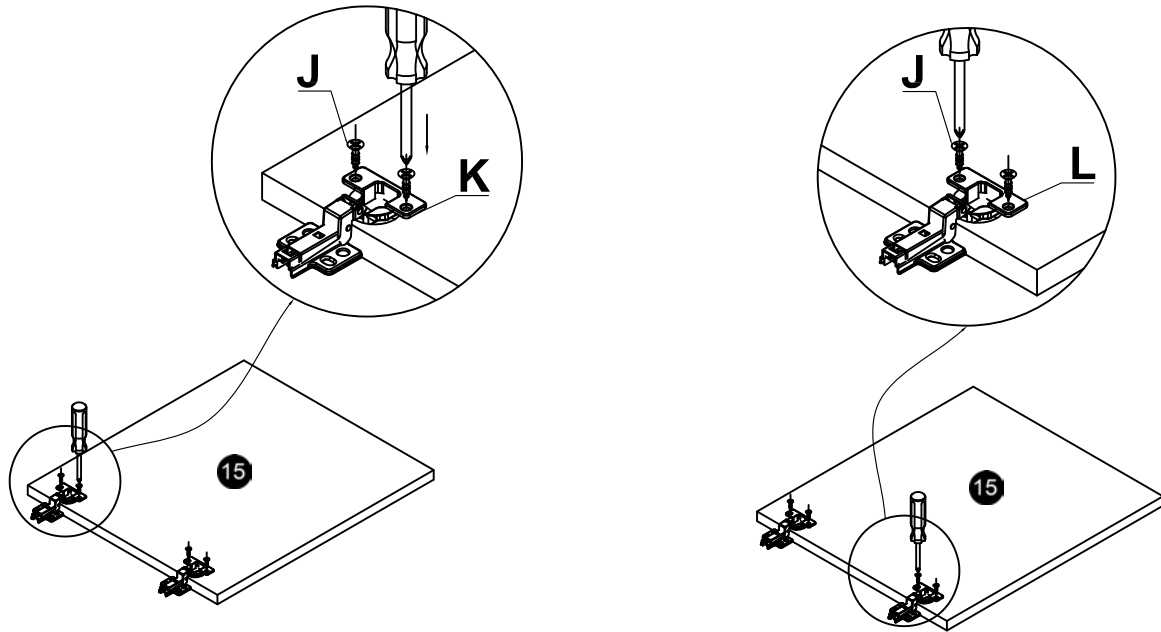
13

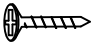




14

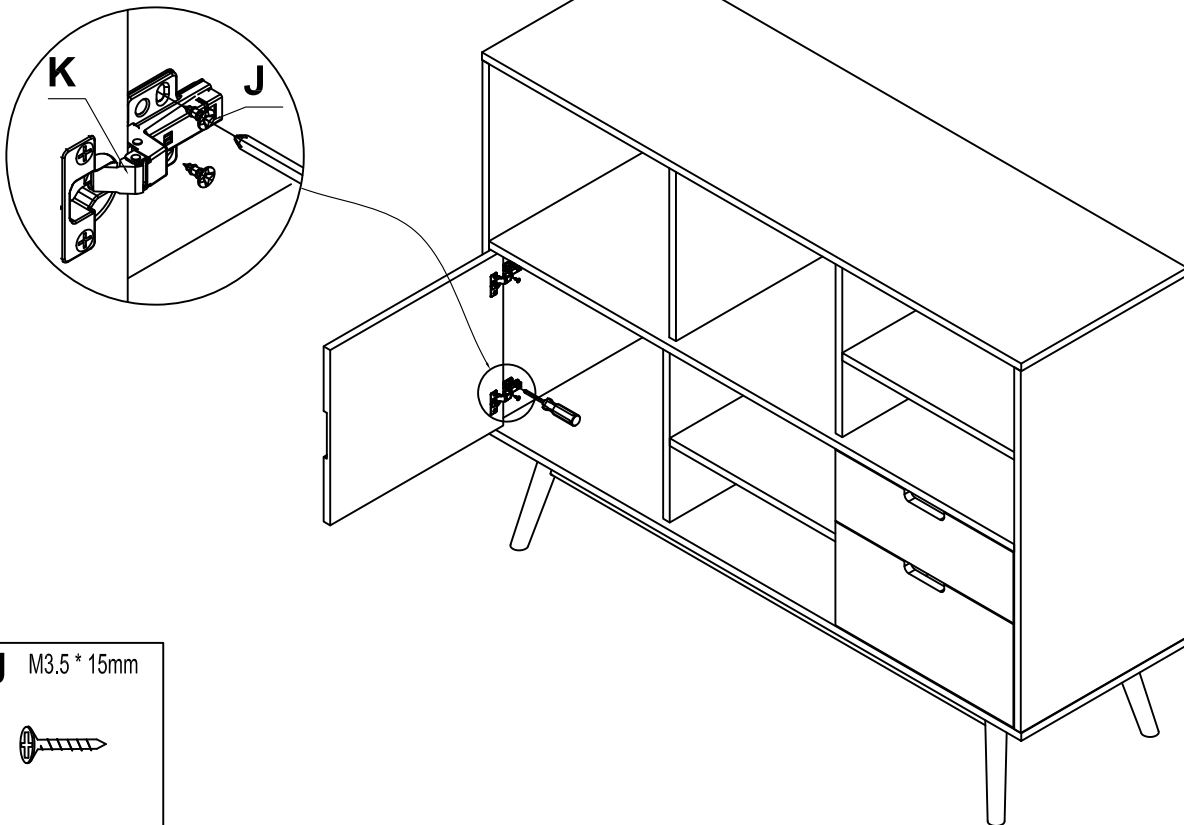


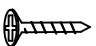
15



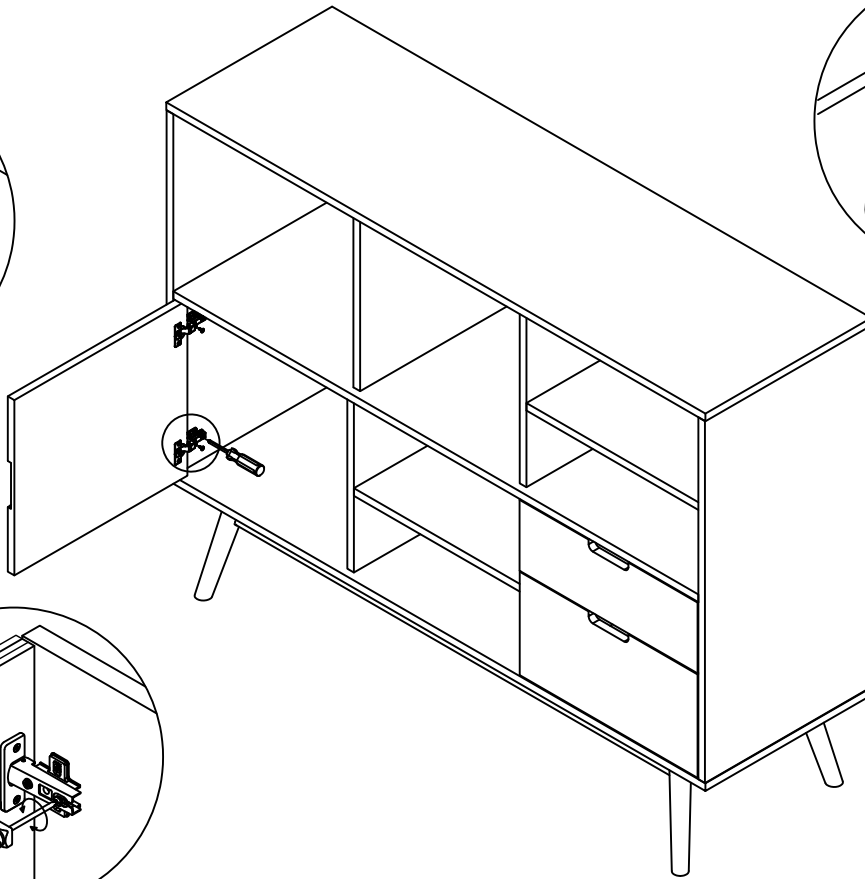
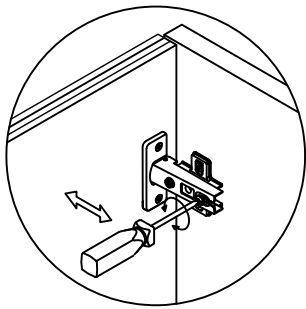
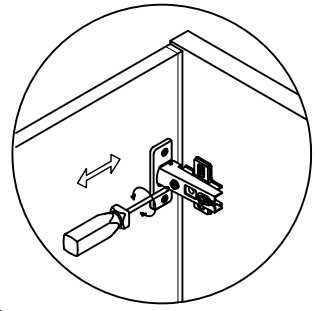
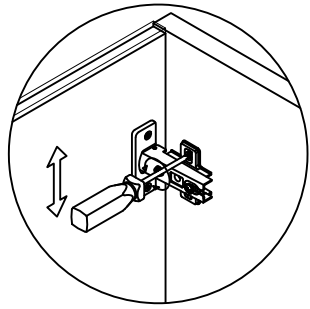
J M3.5 * 15mm	K	L
		
X8	X2	X2

16

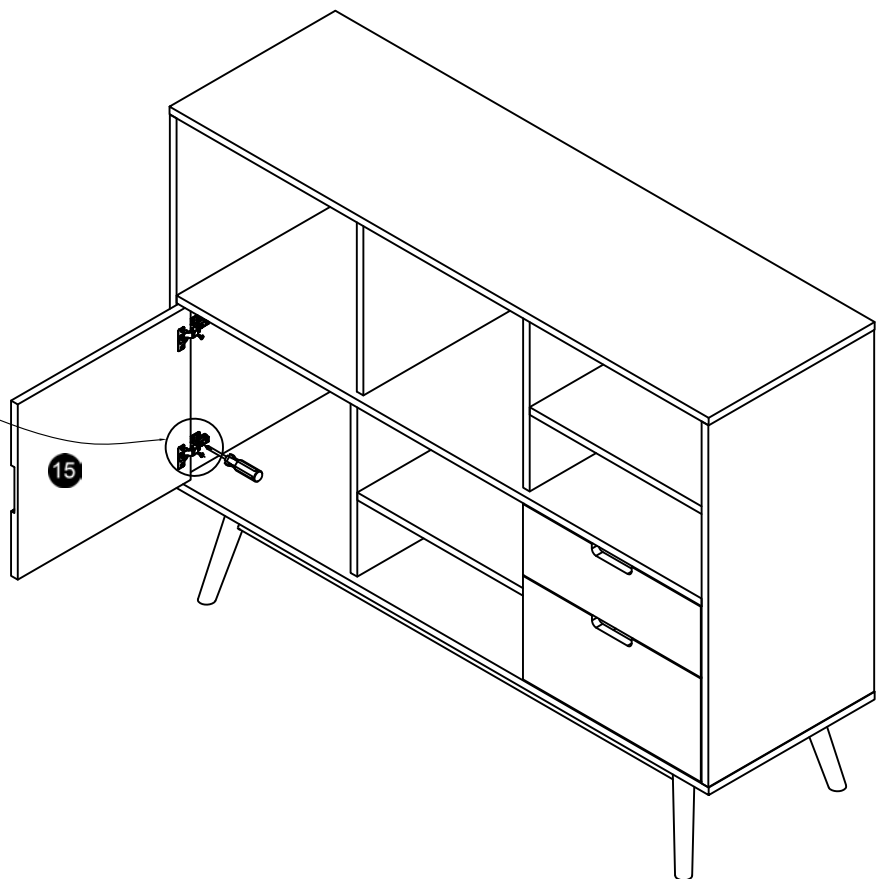
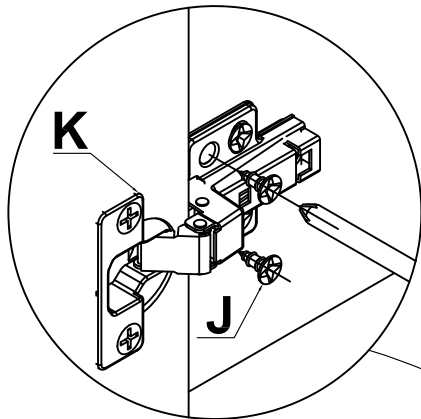


J M3.5 * 15mm

X4

17



18



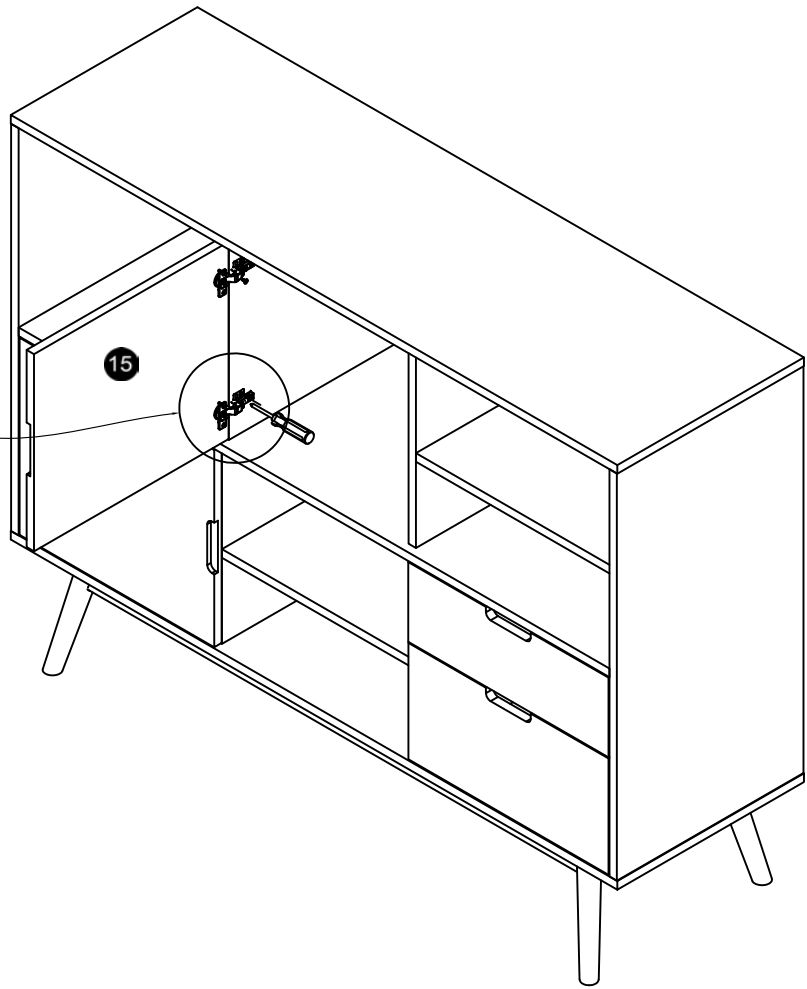
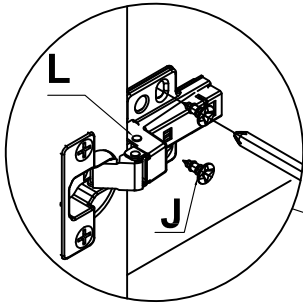
J M3.5 * 15mm



X4

V1 - 002211

19

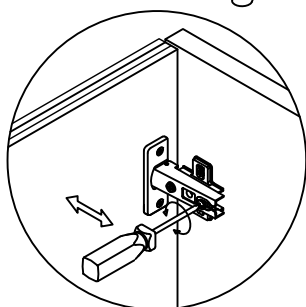
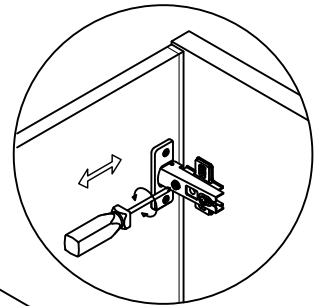
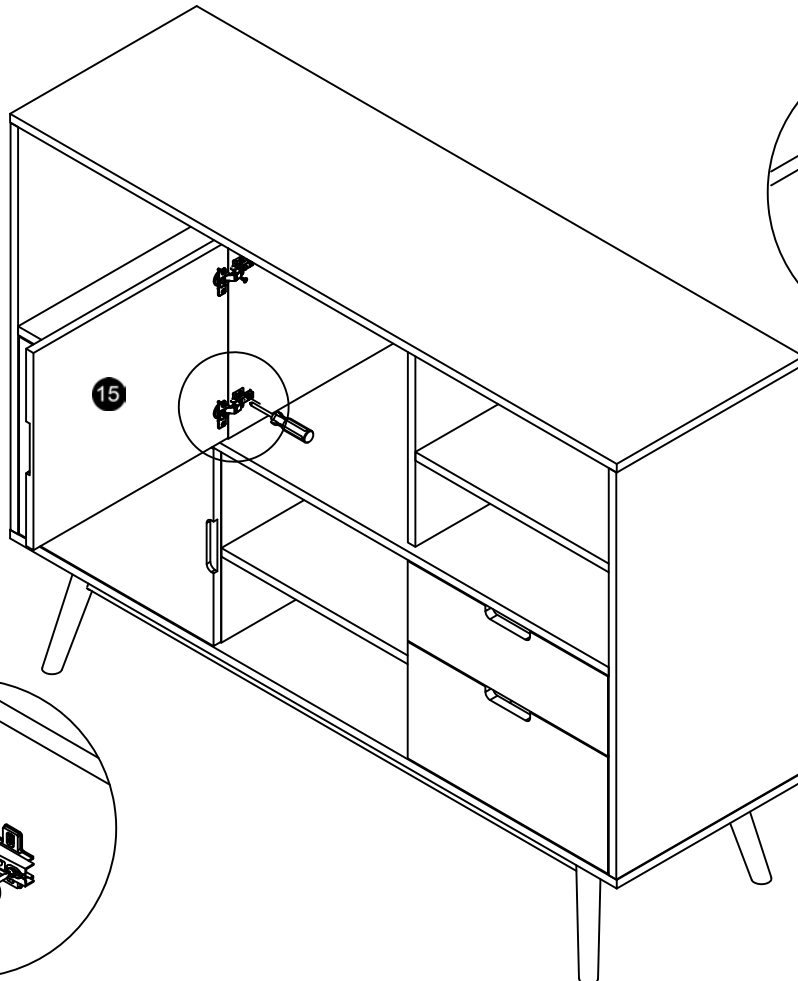
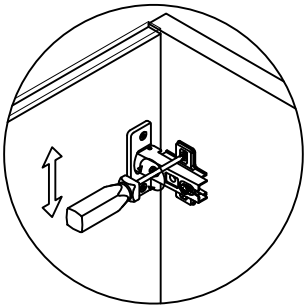


J M3.5 * 15mm

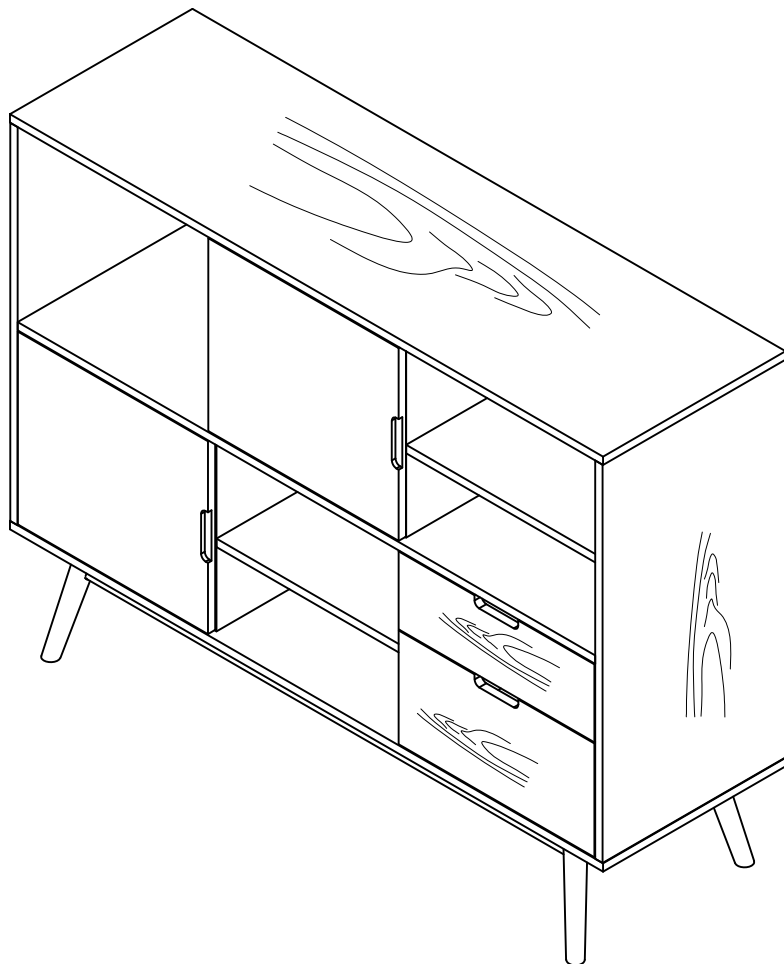
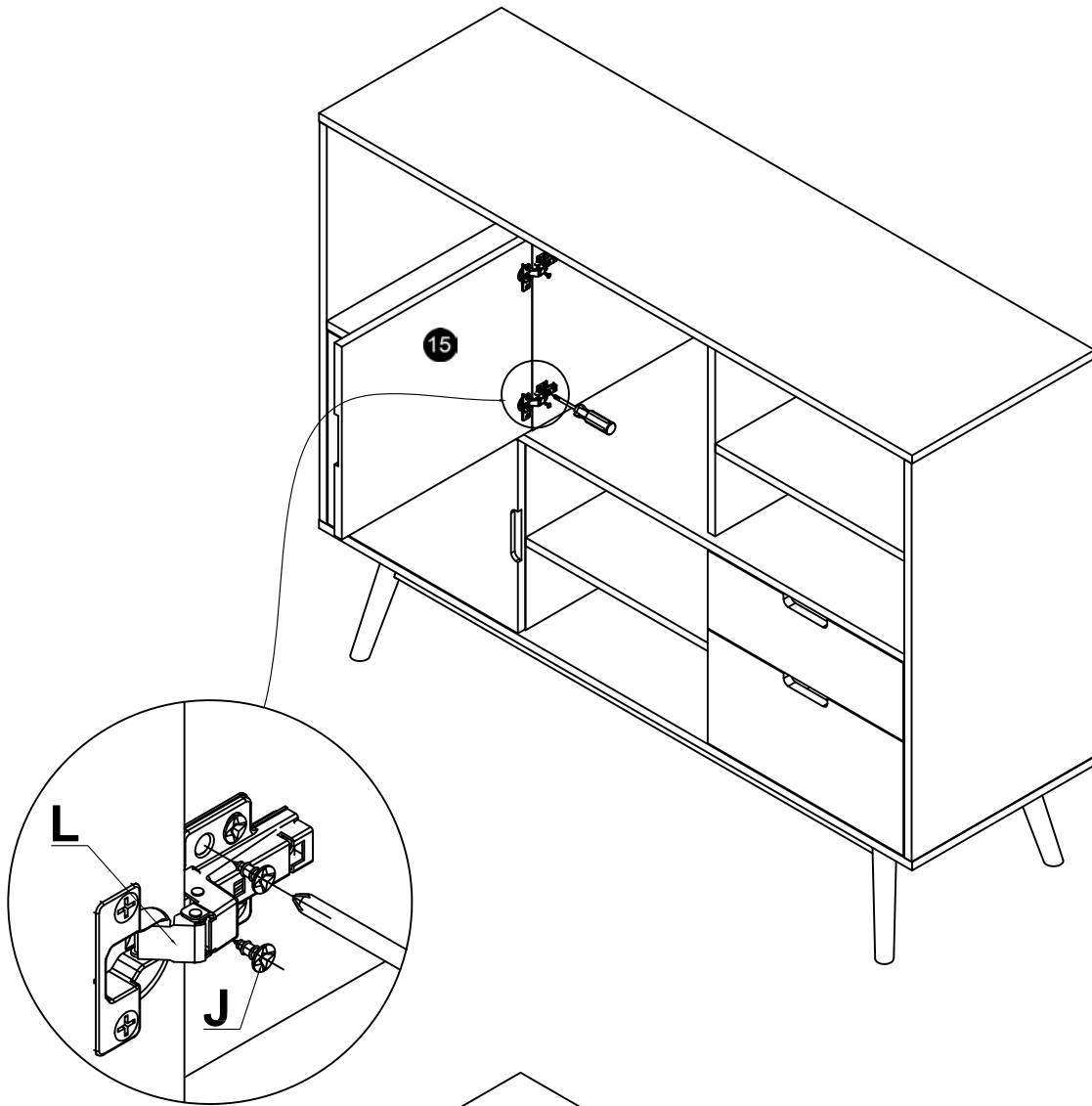


X4

20



21



J M3.5 * 15mm



X4

V1 - 002211