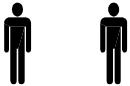
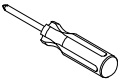
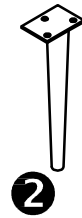
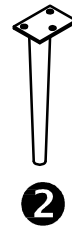
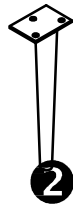
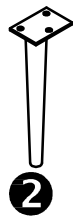
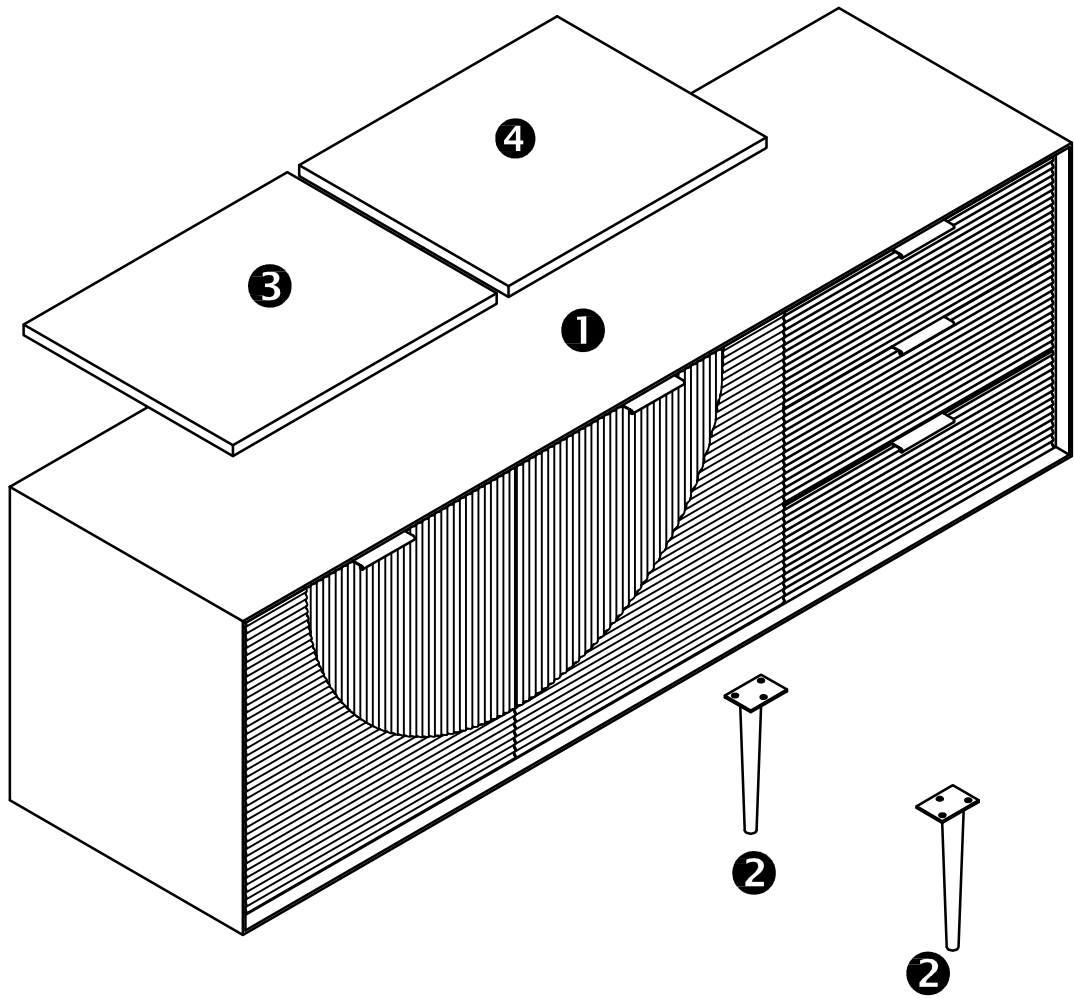


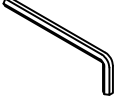
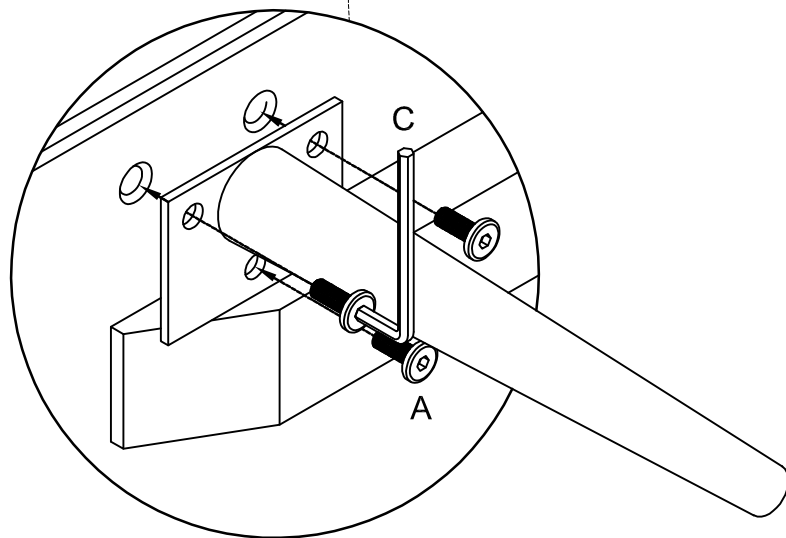
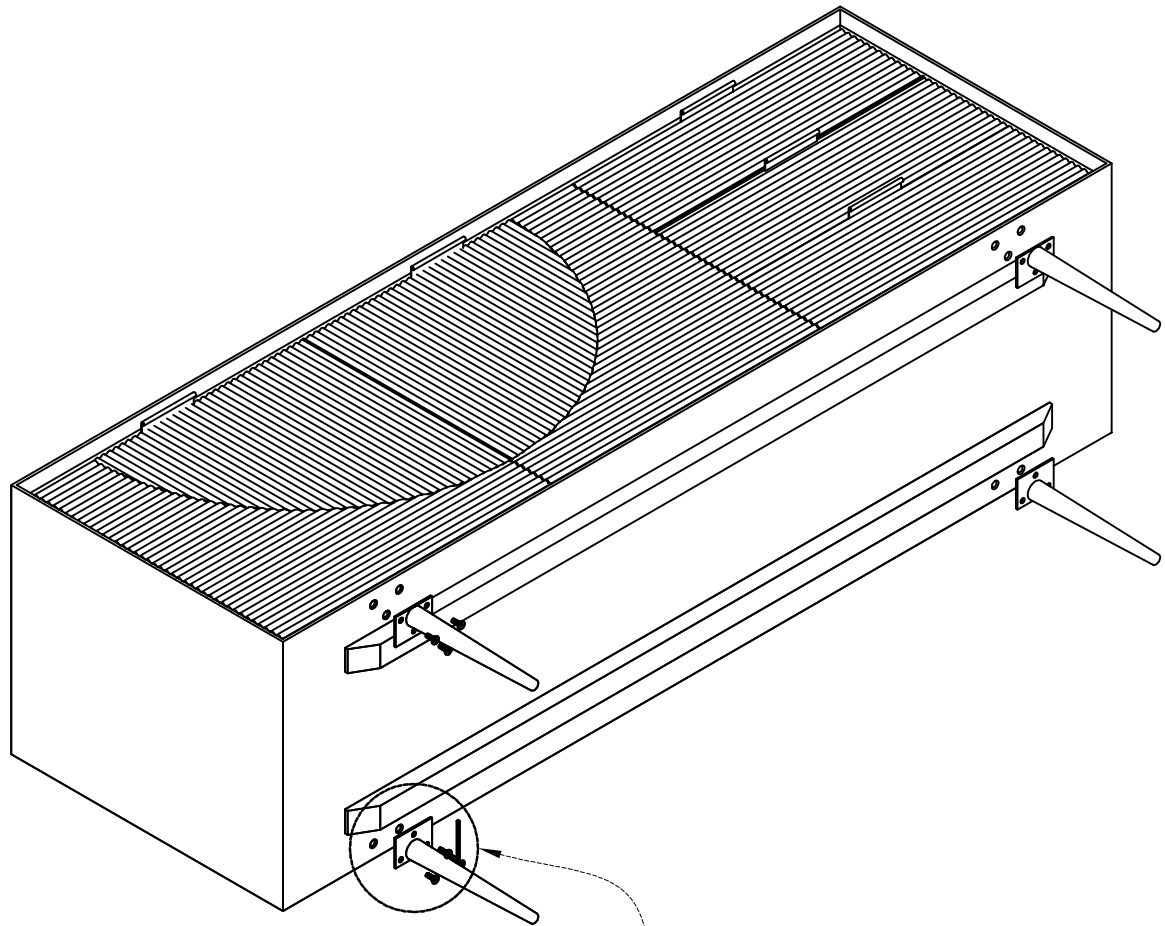


 20 MIN		
--	---	---



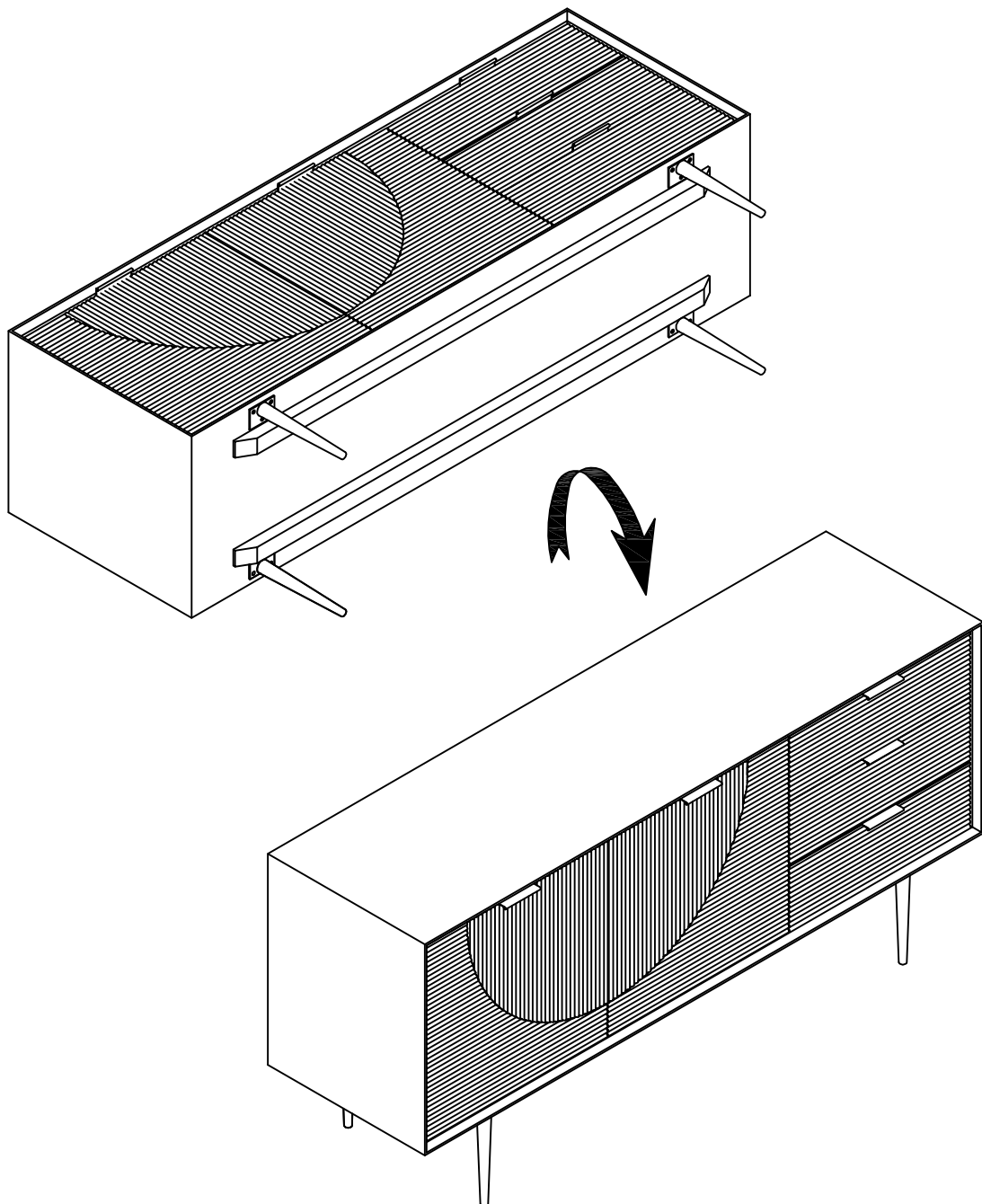
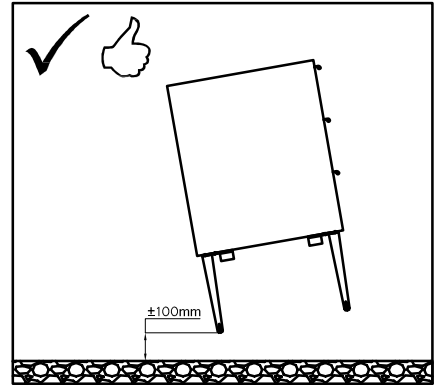
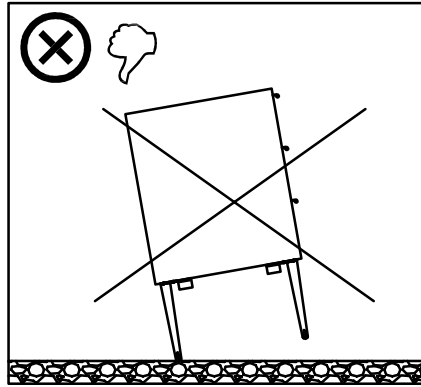
<p>A M6*15mm</p>  <p>x 12</p>	<p>B</p>  <p>x 8</p>	<p>C M4</p>  <p>x 1</p>
---	---	--

1

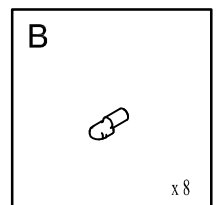
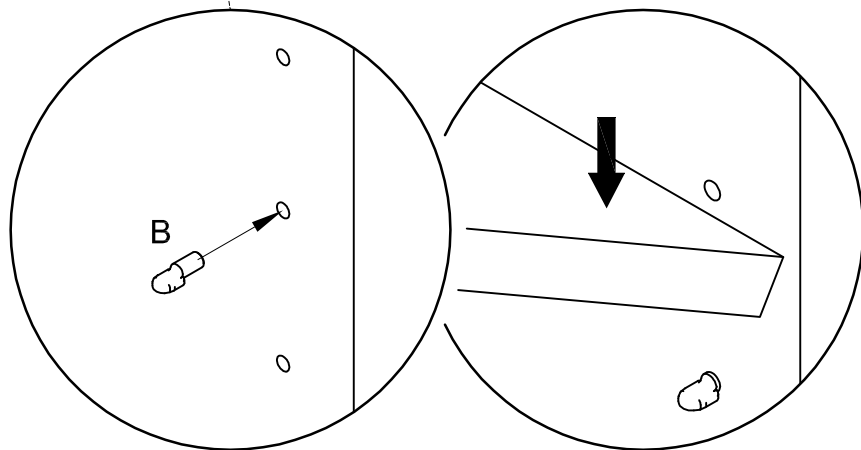
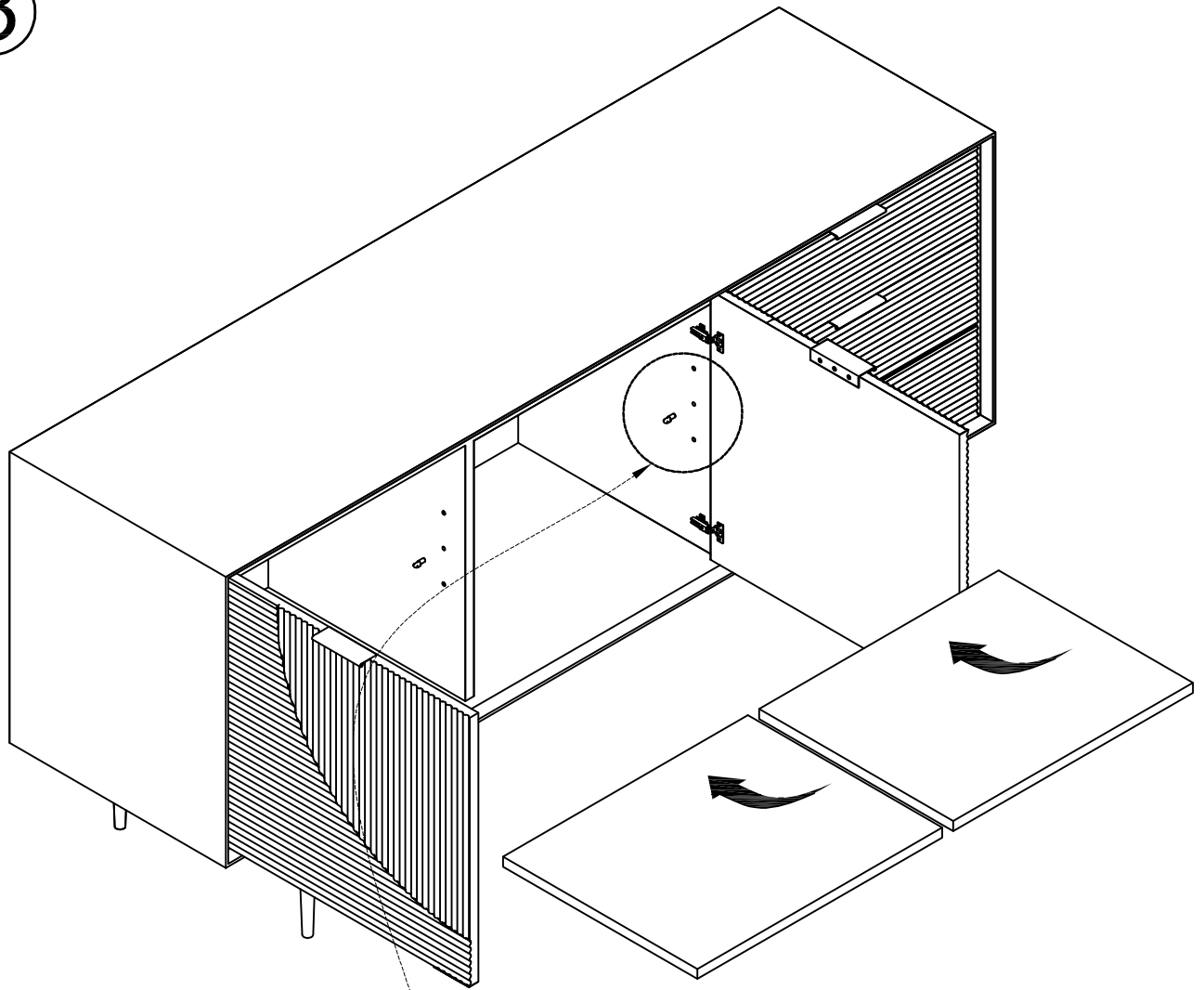


M6*15mm  x 12	C M4  x 1
--	--

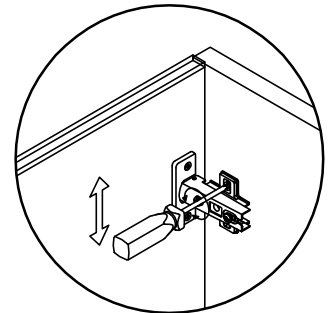
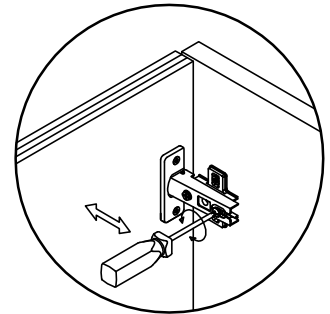
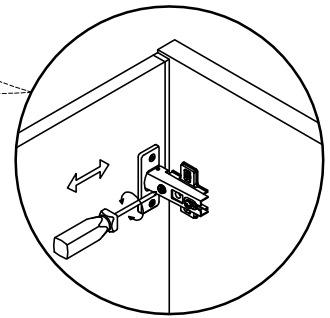
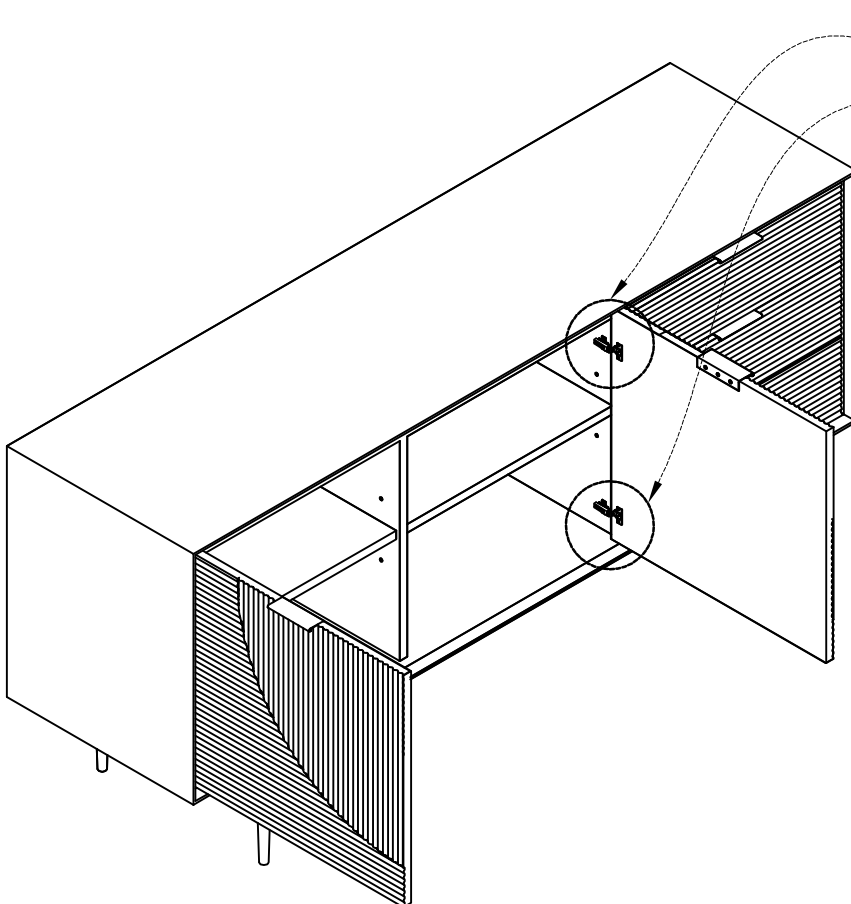
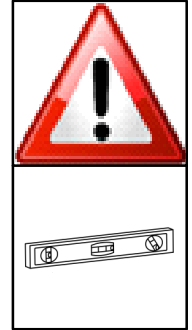
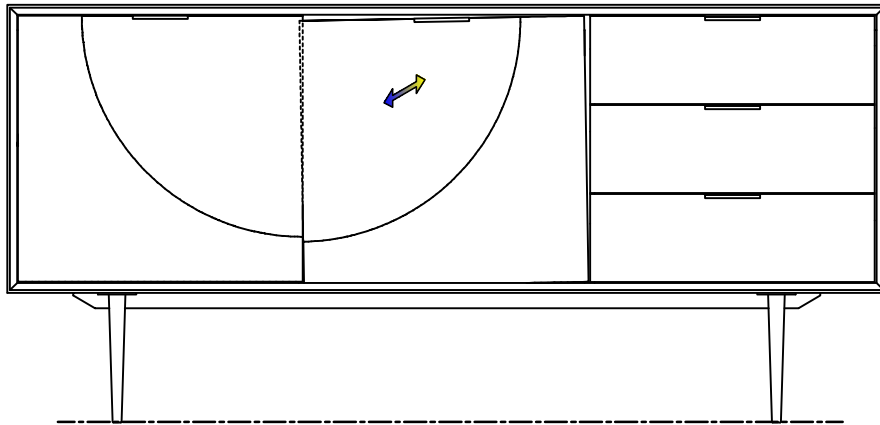
2



3



4



5

