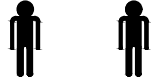
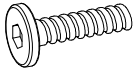
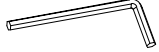



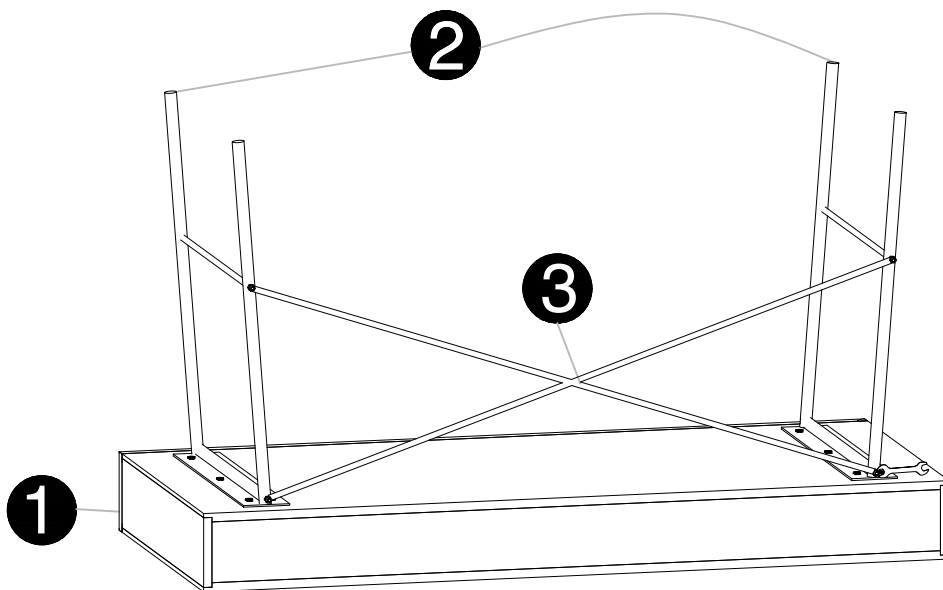
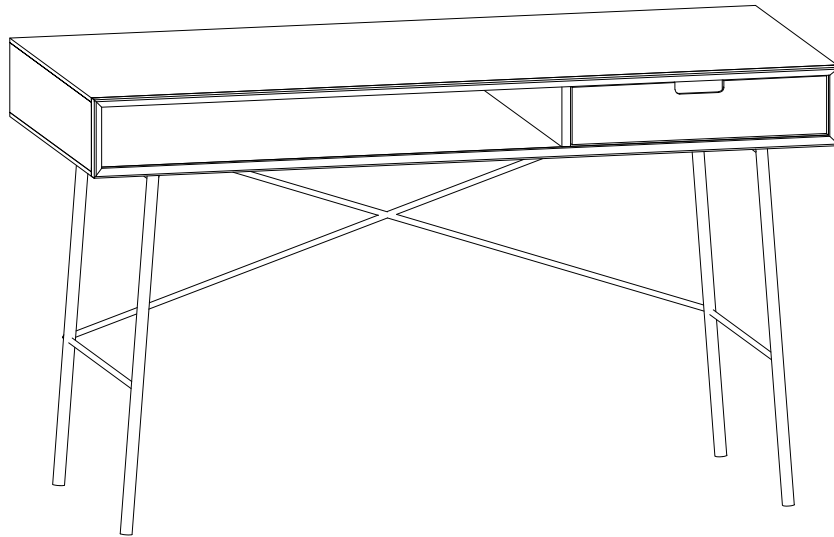
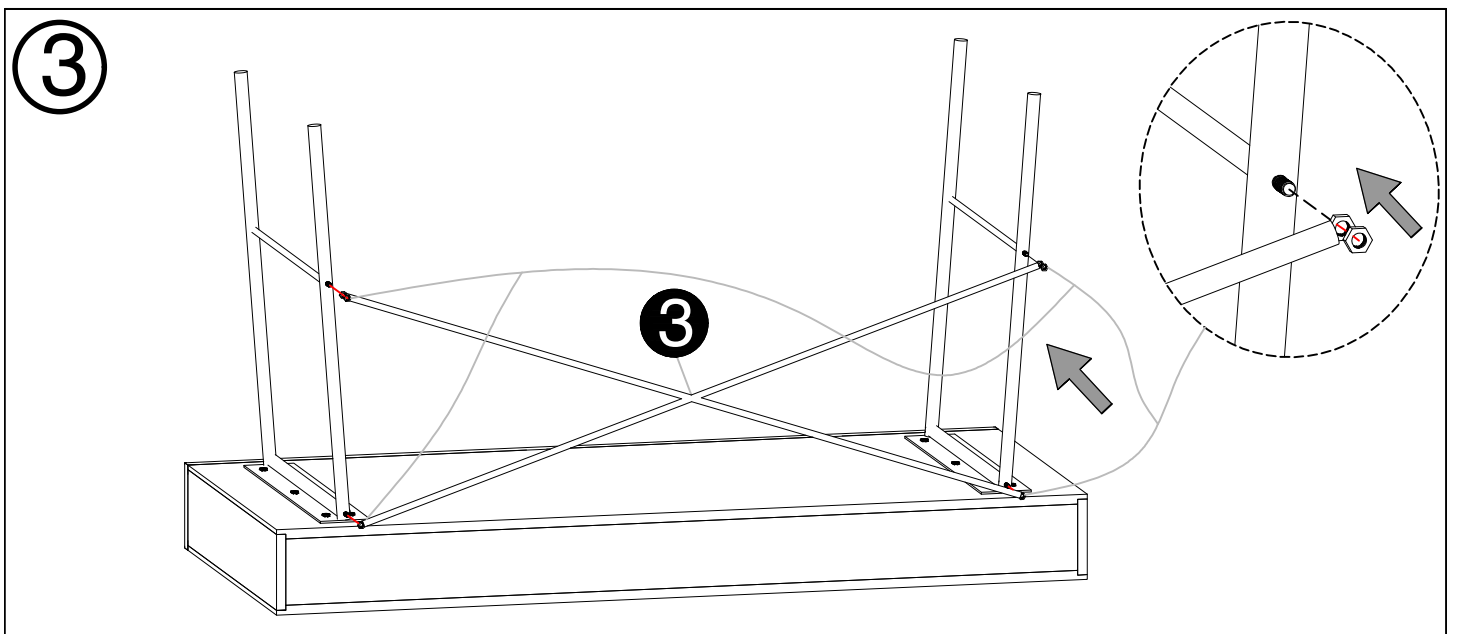
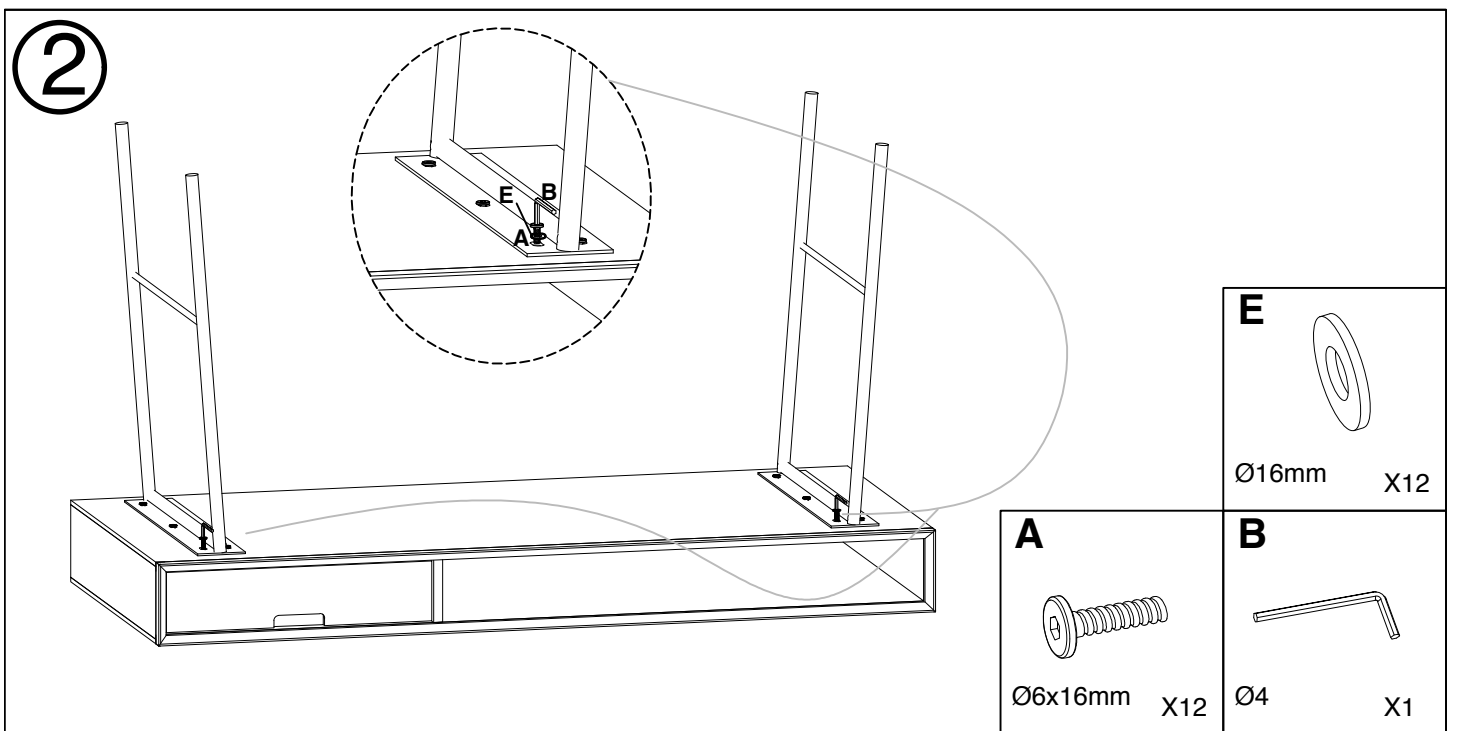
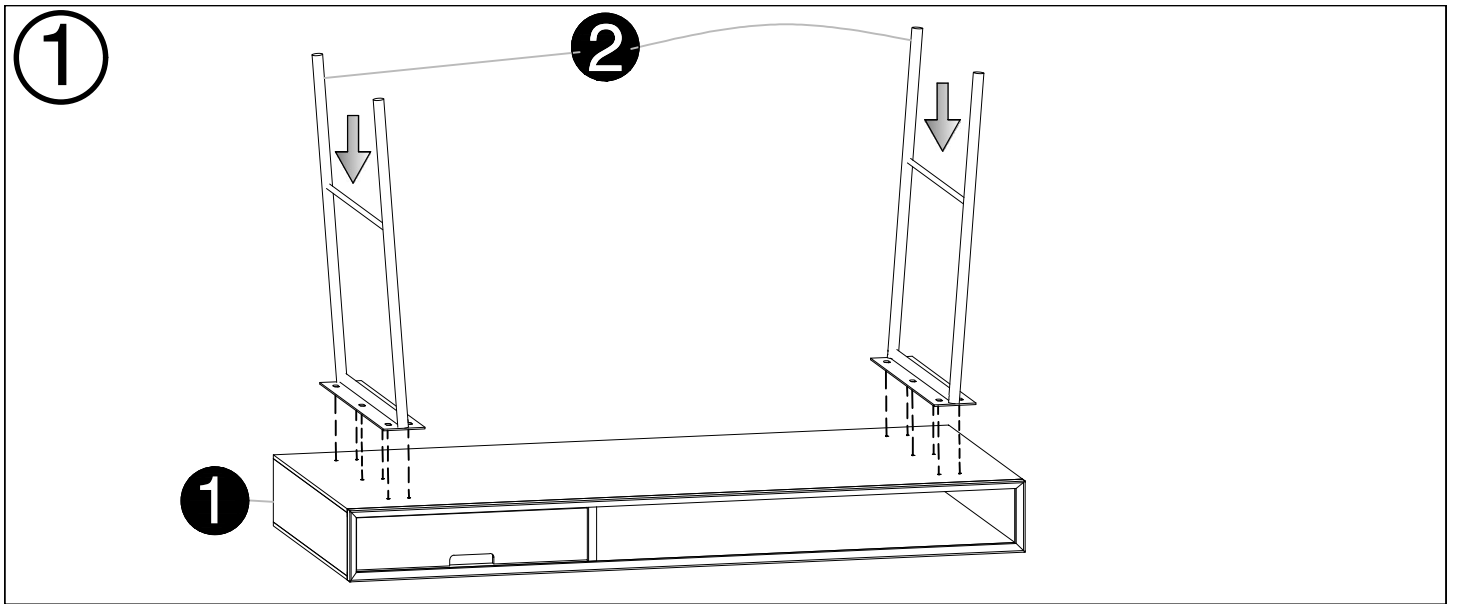
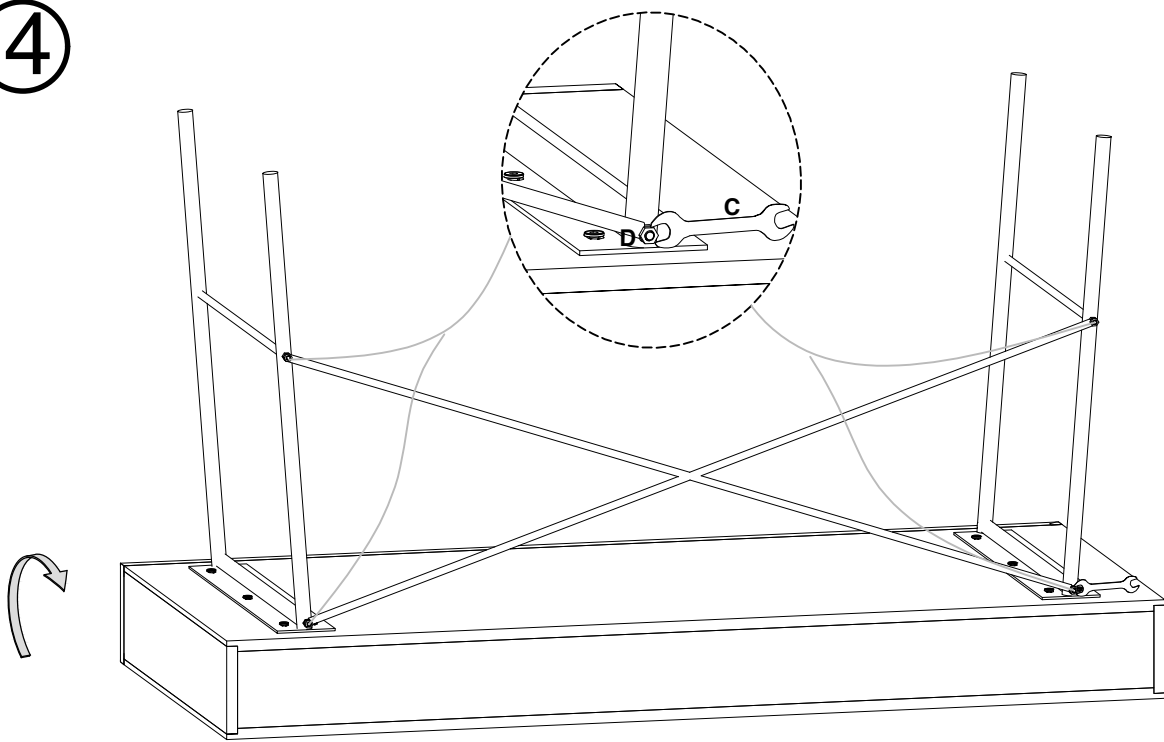

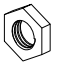
 10 MIN		A  Ø6x16mm X12	B  Ø4 X1	C  14/15 X1	D  X4
		E  Ø16mm X12			





4



C  14/15 X1	D  X4
---	---

5

