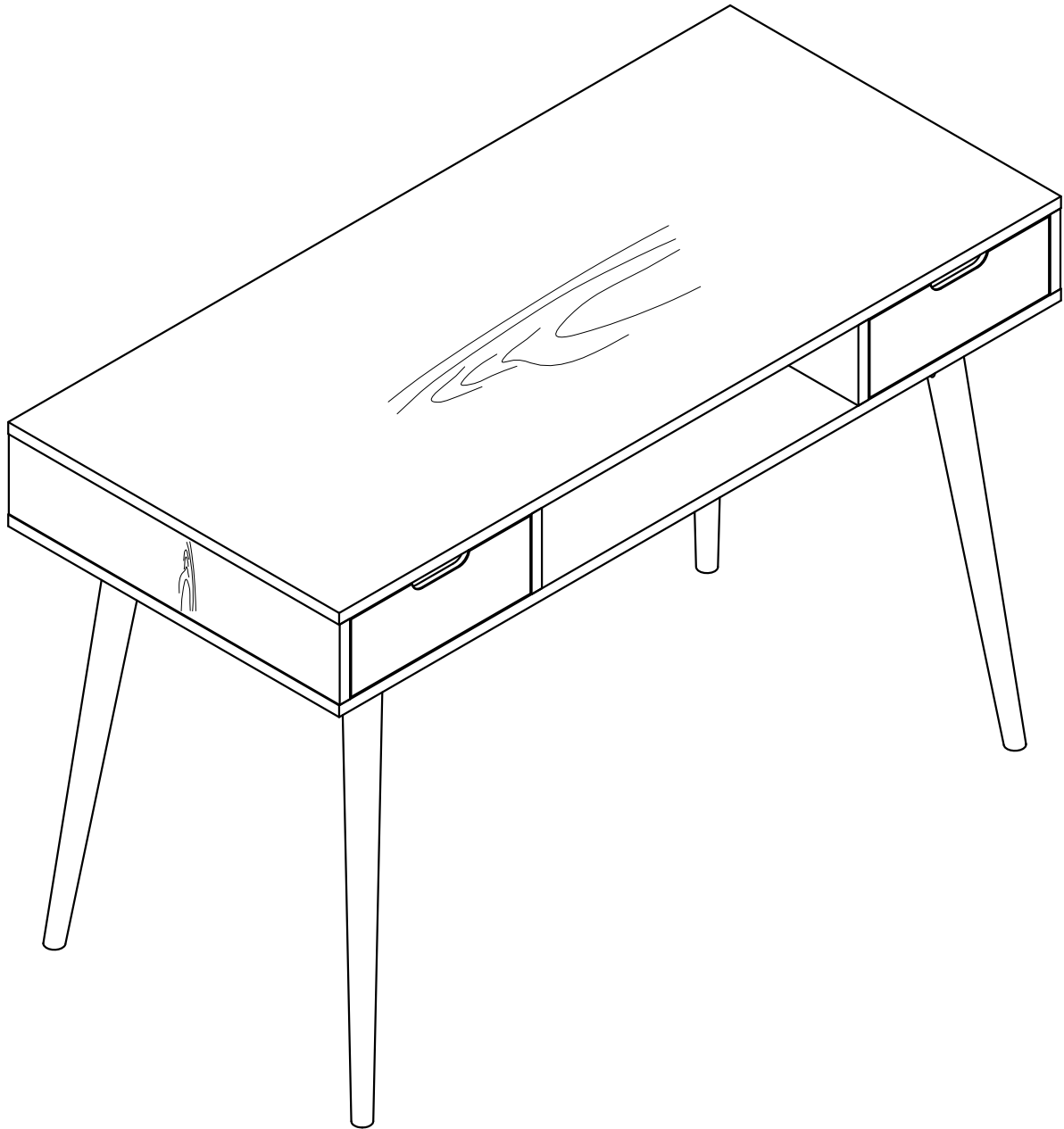





MEUBLES & DÉCORATION

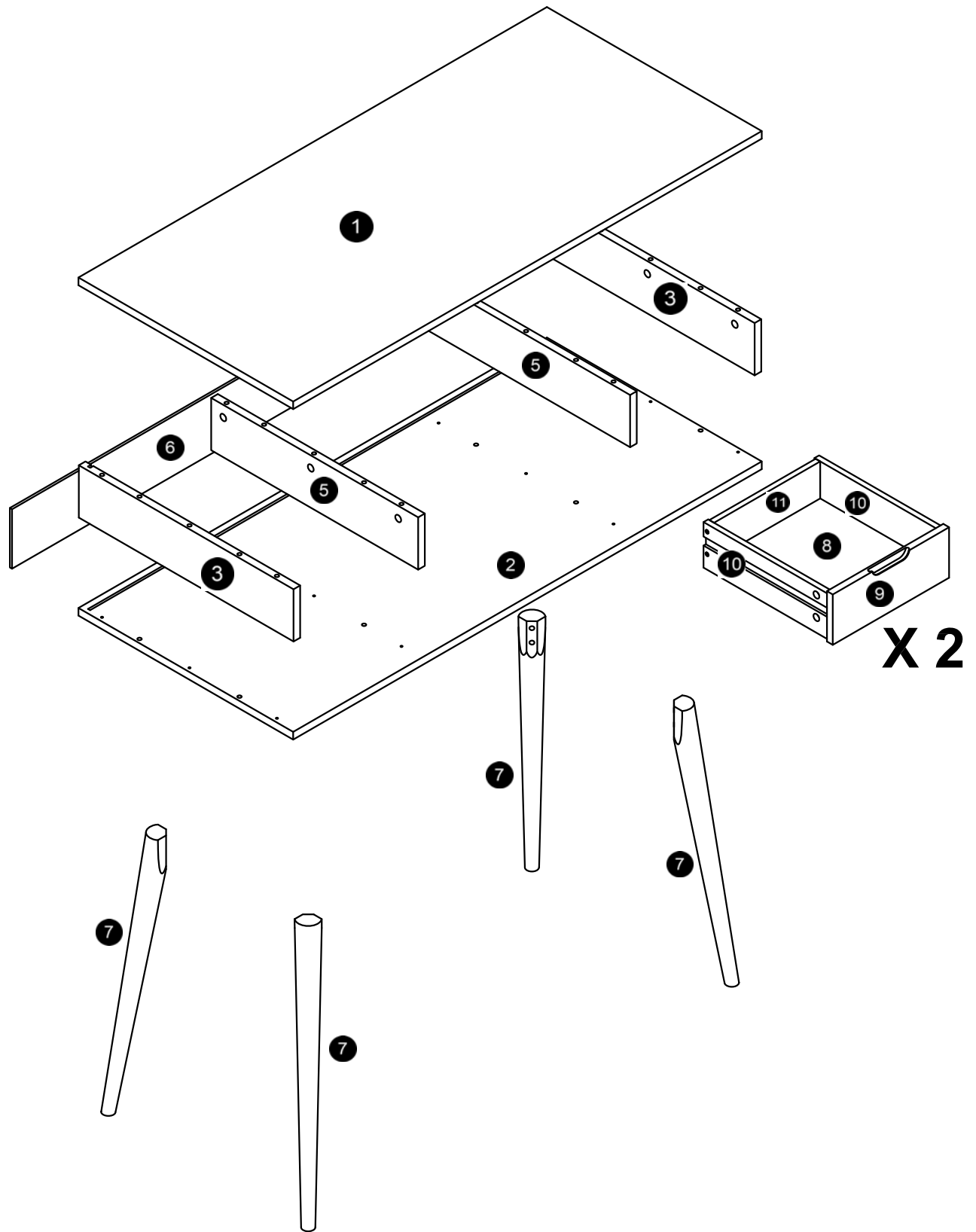
# FJORD

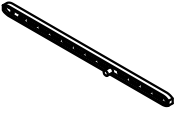

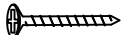



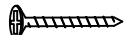
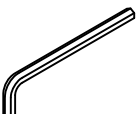

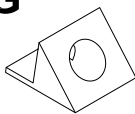
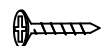
## 138841



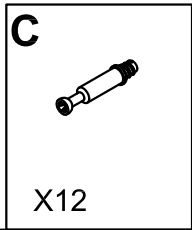
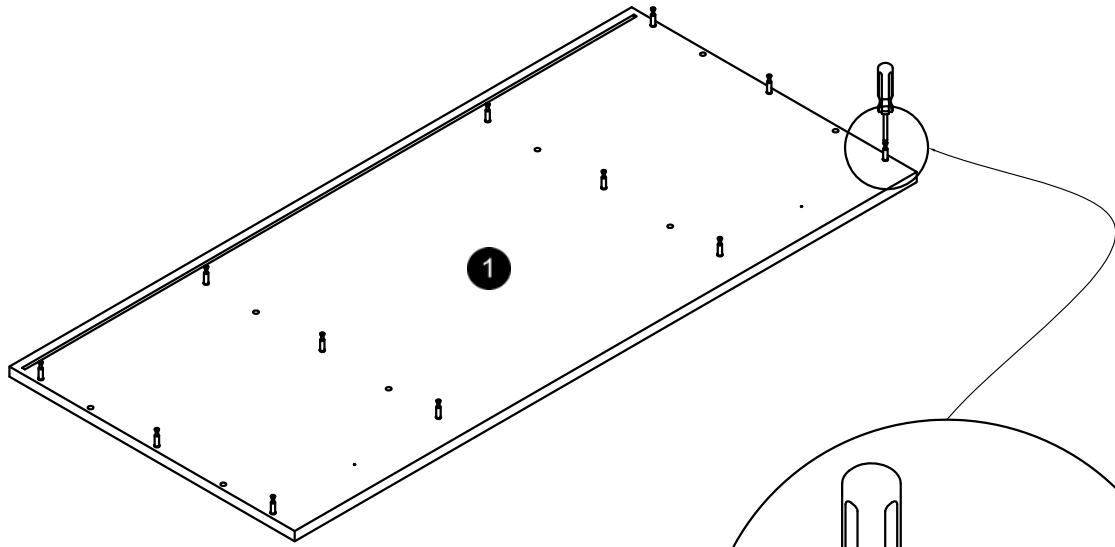
 30 MIN	
--	---

V1 - 002211



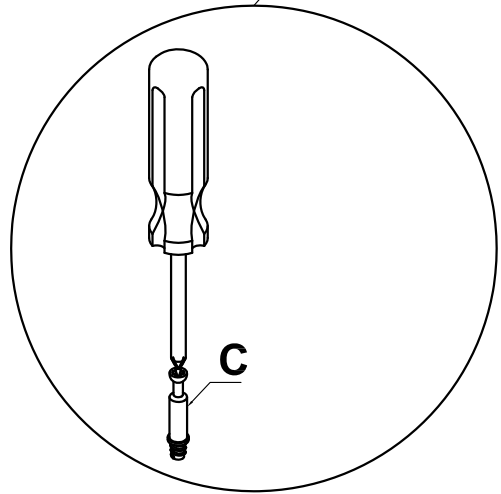
<b>I</b> 16*300mm  X4	<b>J</b>  X2	<b>K</b> M3.5 * 25mm  X8					
<b>A</b> Ø 8 x 25  X16	<b>B</b>  X20	<b>C</b>  X20	<b>D</b> M4* 35mm  X12	<b>E</b> M 4  X1	<b>F</b> Ø6*50mm  X8	<b>G</b>  X6	<b>H</b> M3 * 15mm  X20

1

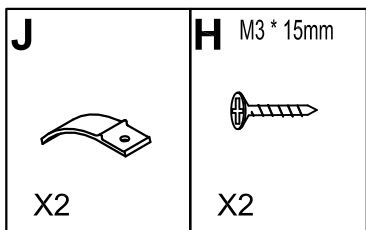
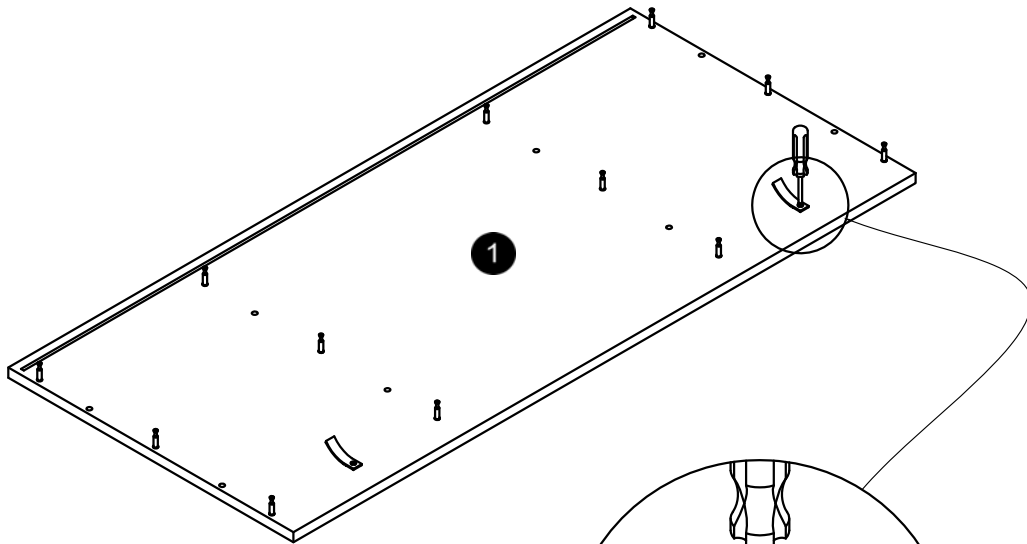


C

X12



2



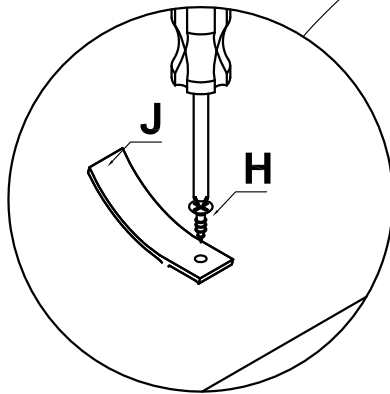
J

X2

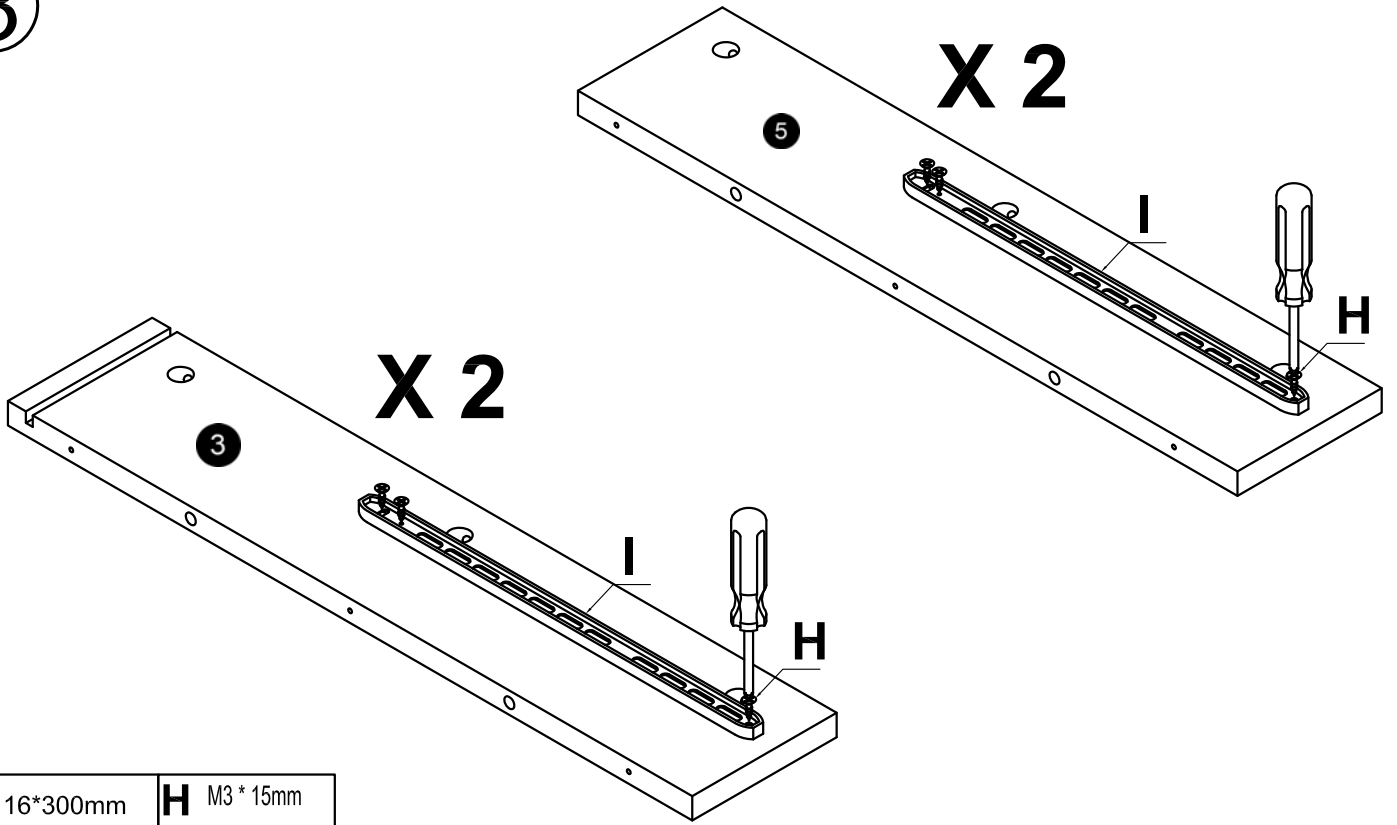
H

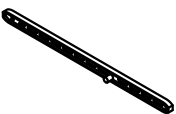
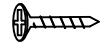
M3 \* 15mm

X2

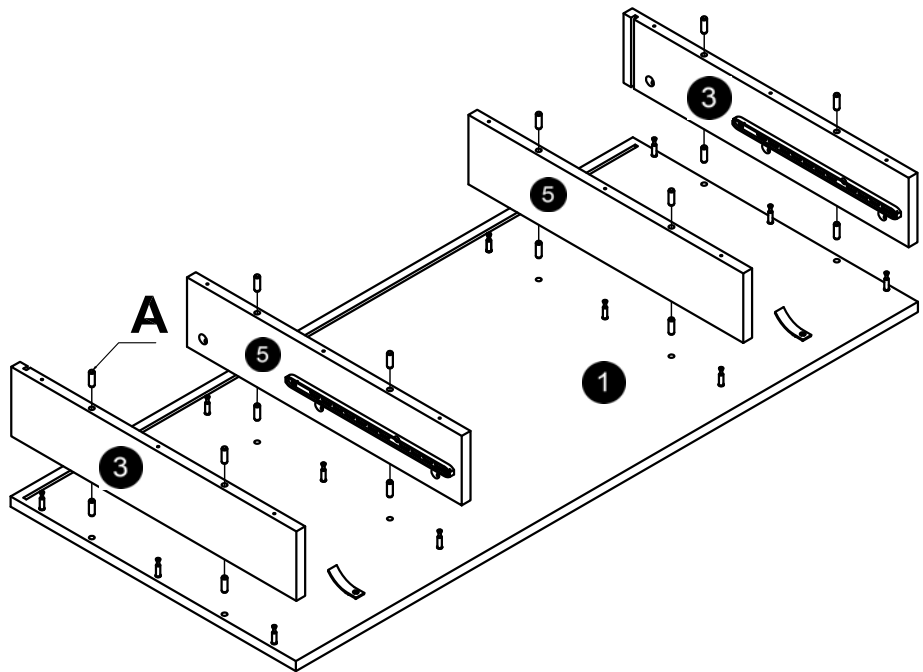



3



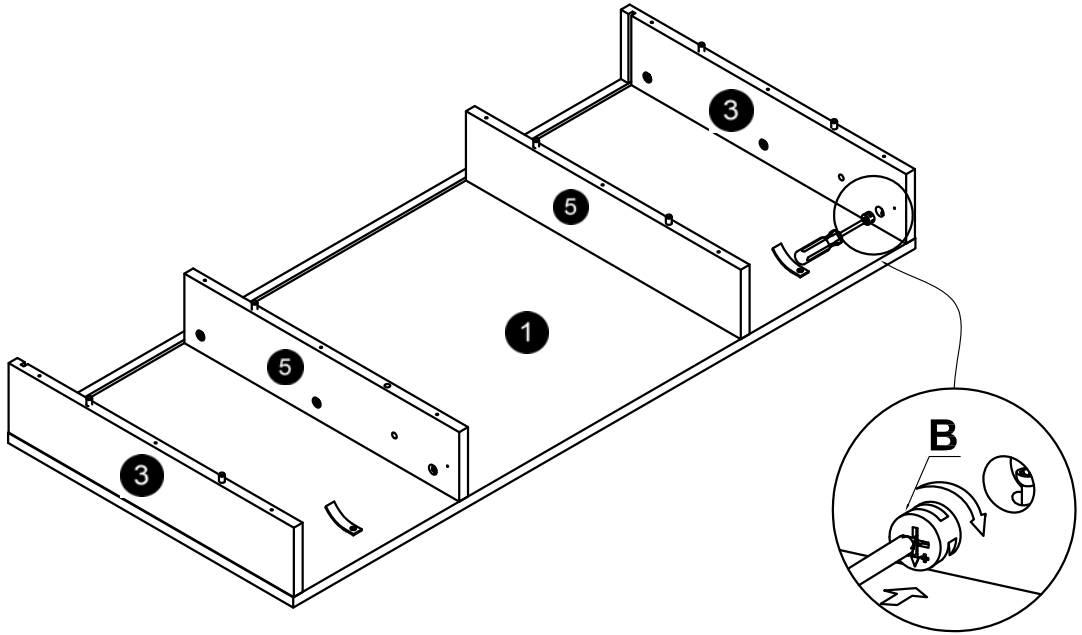
<b>I</b> 16*300mm  X4	<b>H</b> M3 * 15mm  X12
---	---

4



<b>A</b> Ø 8 x 25  X16
---

5

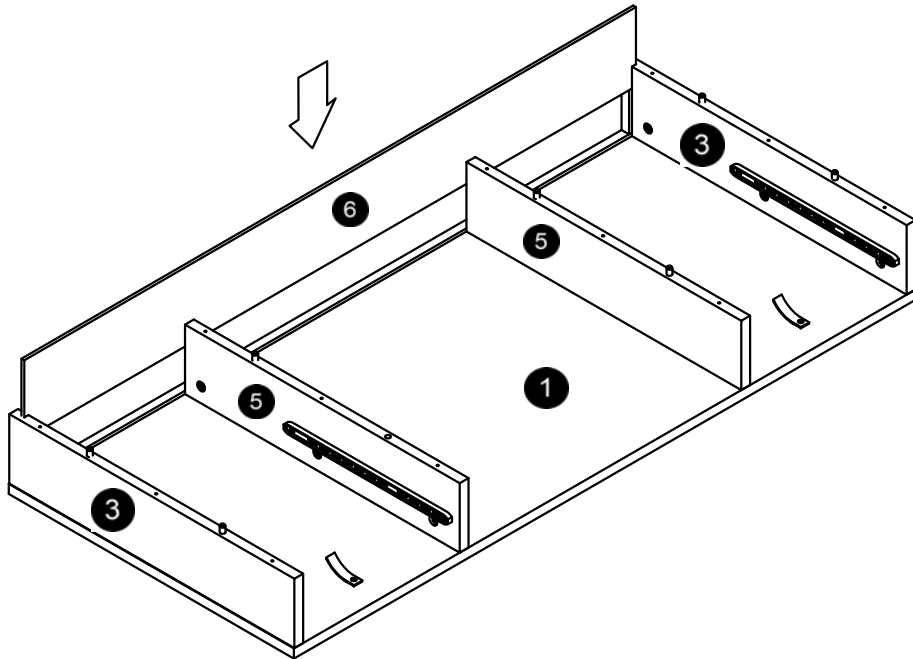


B

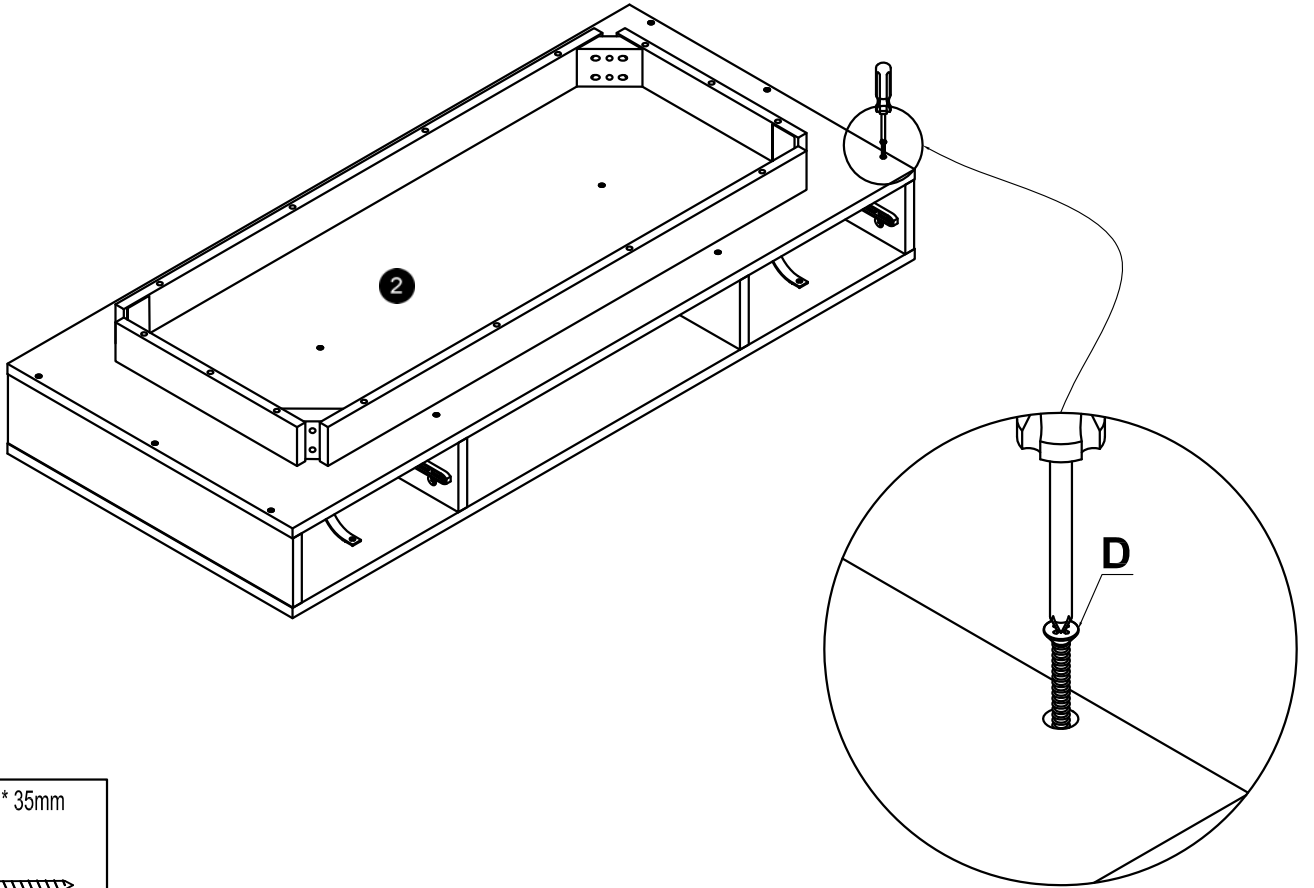


X12

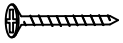
6



7

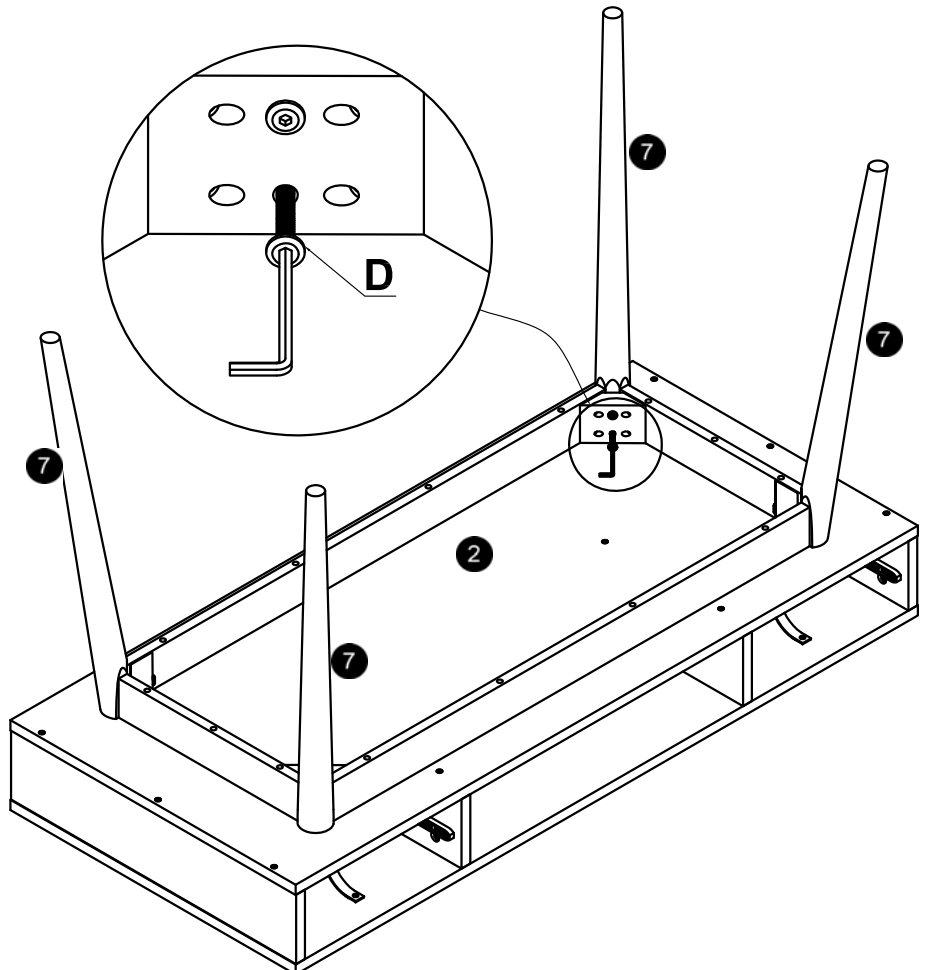


**D** M4 \* 35mm

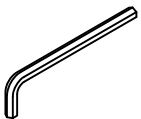


X12

8



**E** M 4



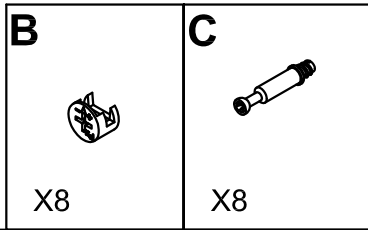
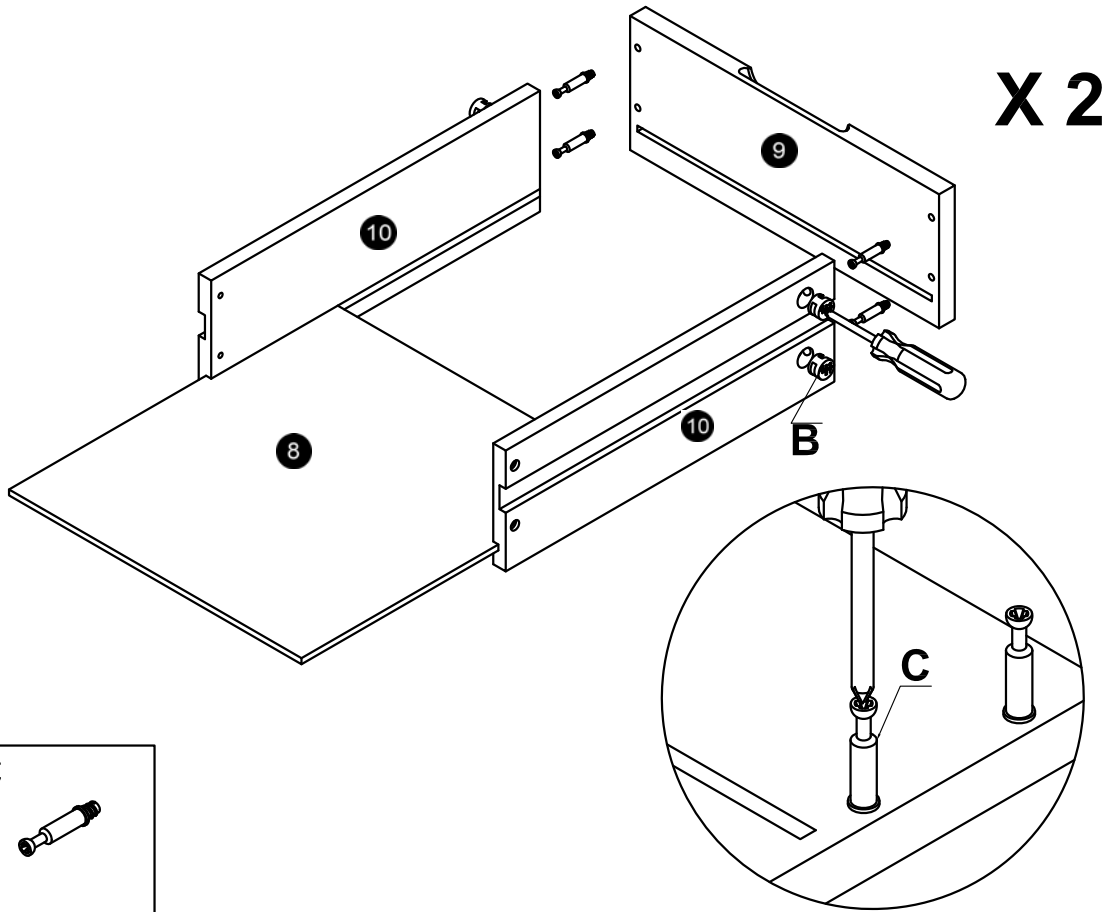
X1

**F** Ø6\*50mm

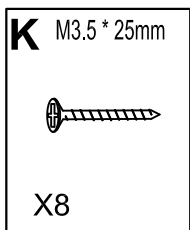
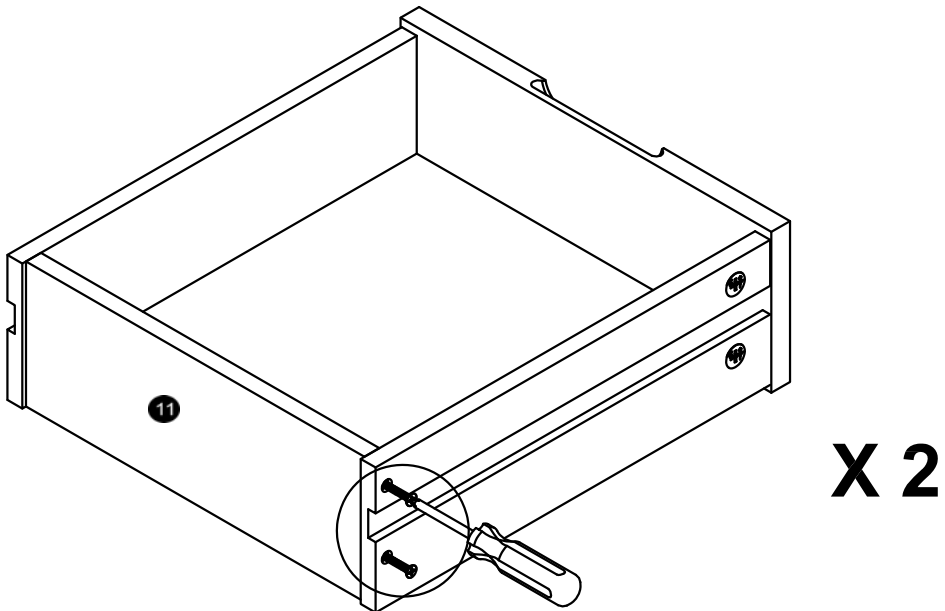


X8

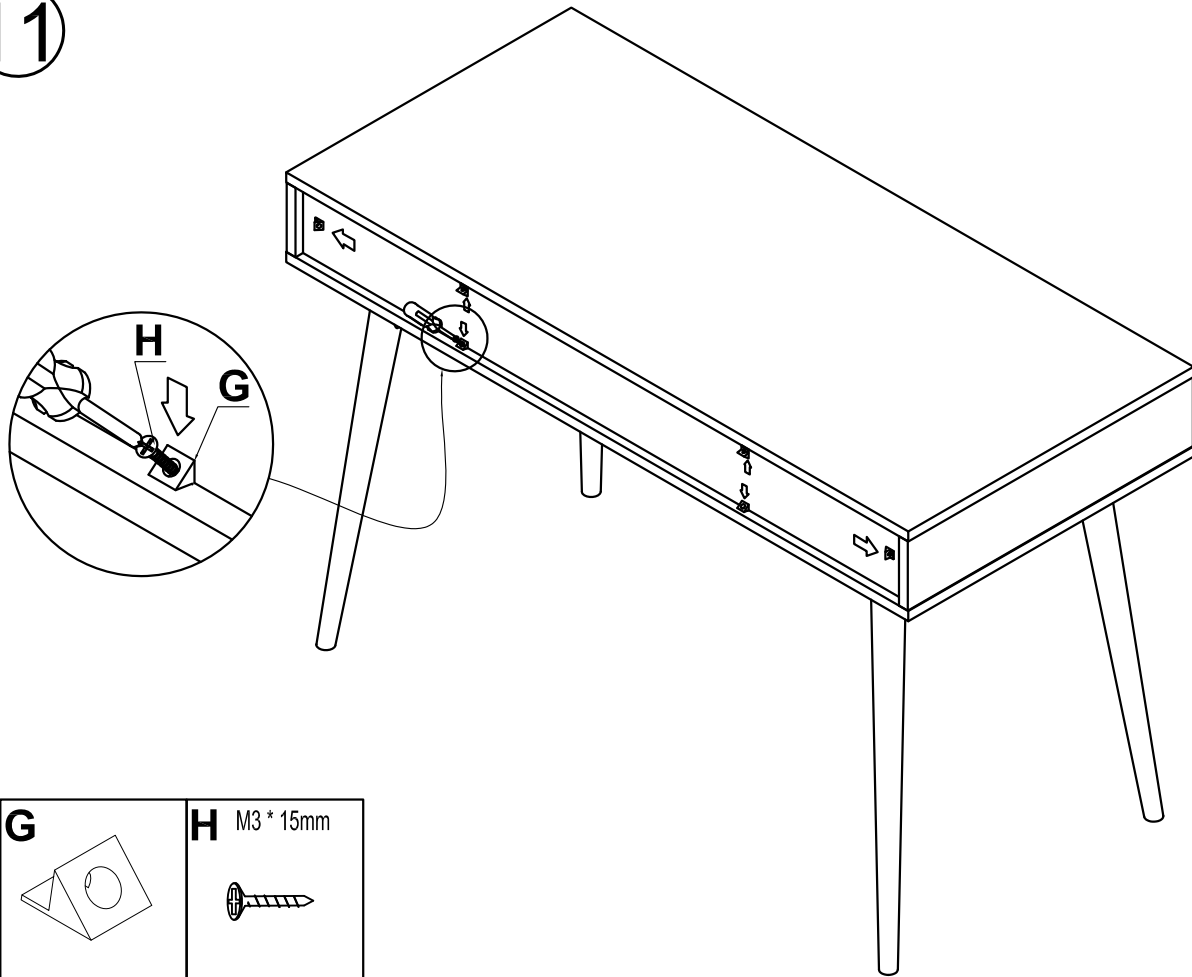
9

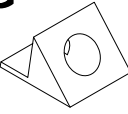
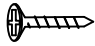


10



11



<b>G</b>  X6	<b>H</b> M3 * 15mm  X6
--	--

12

