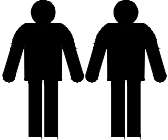
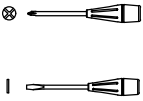
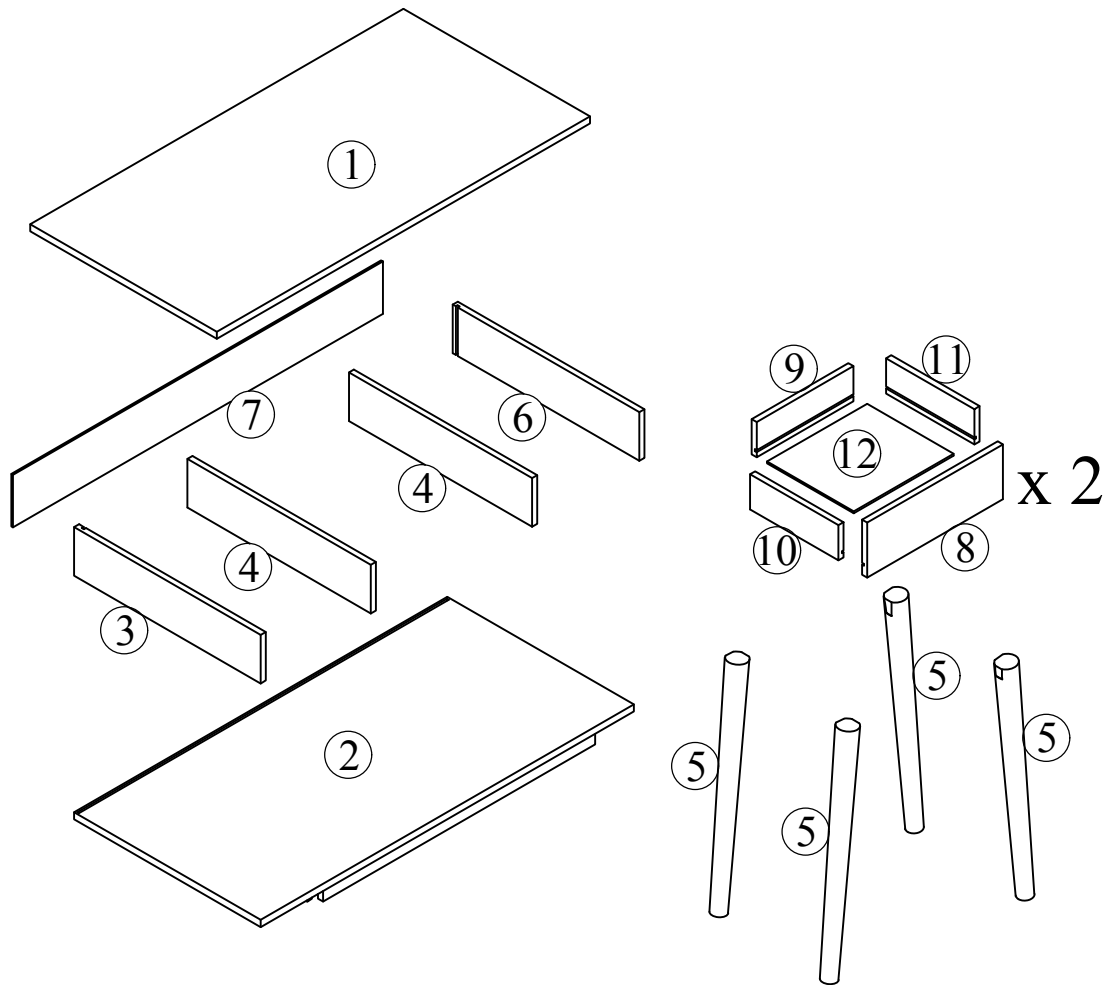
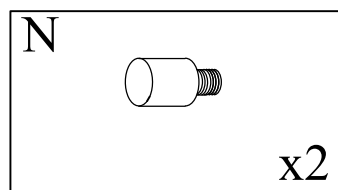
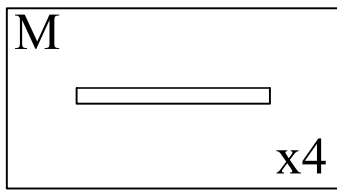
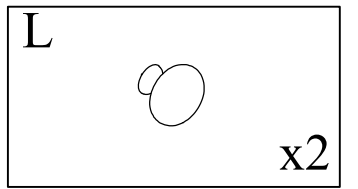
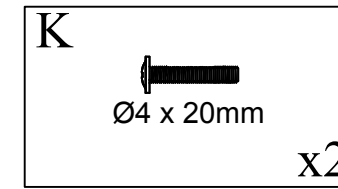
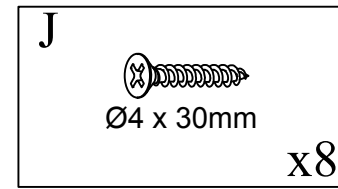
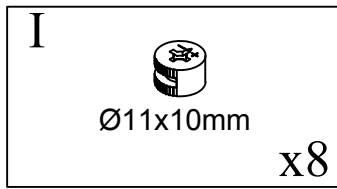
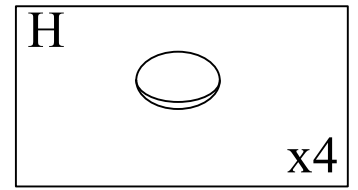
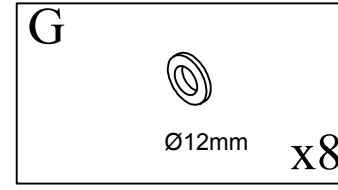
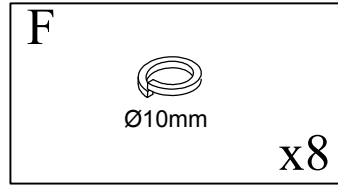
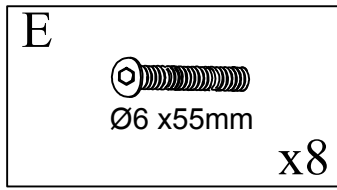
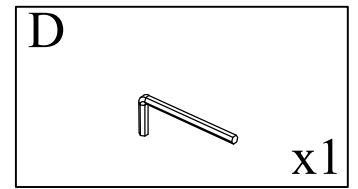
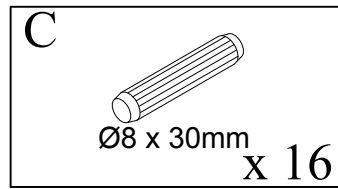
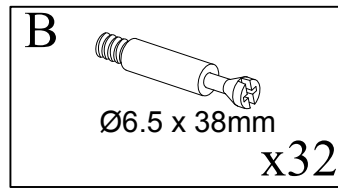
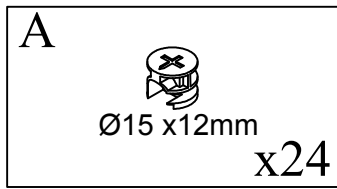
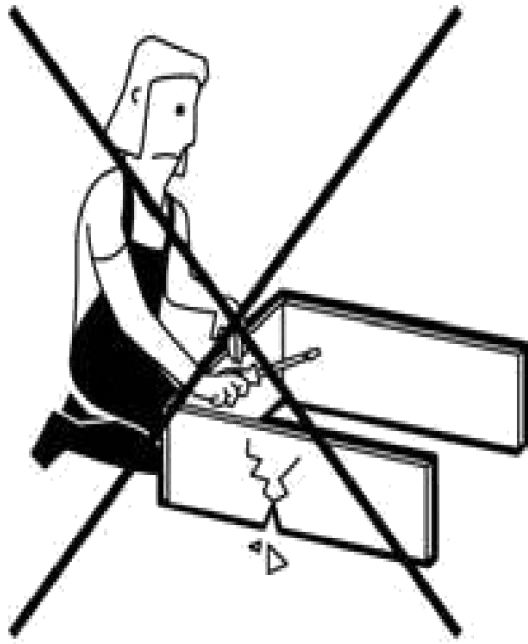
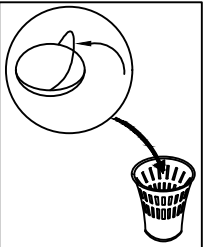
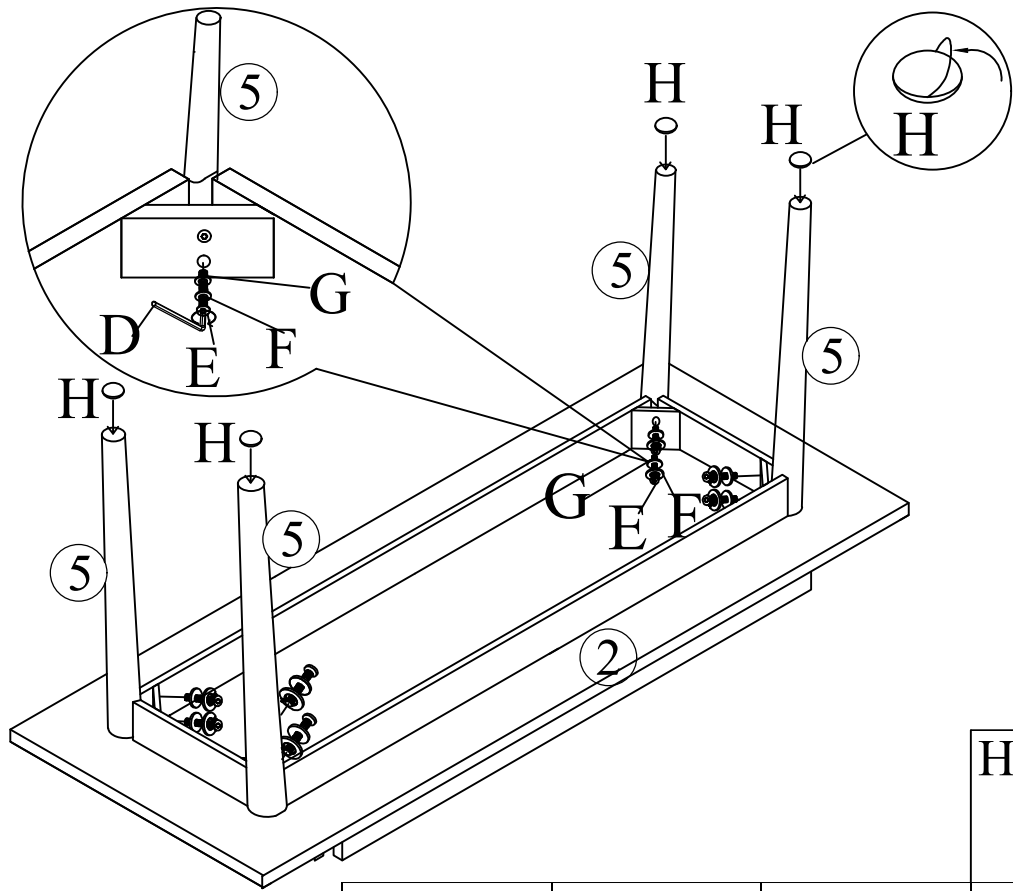
 <p>90MIN</p>		
--	---	---





1



H
x 4

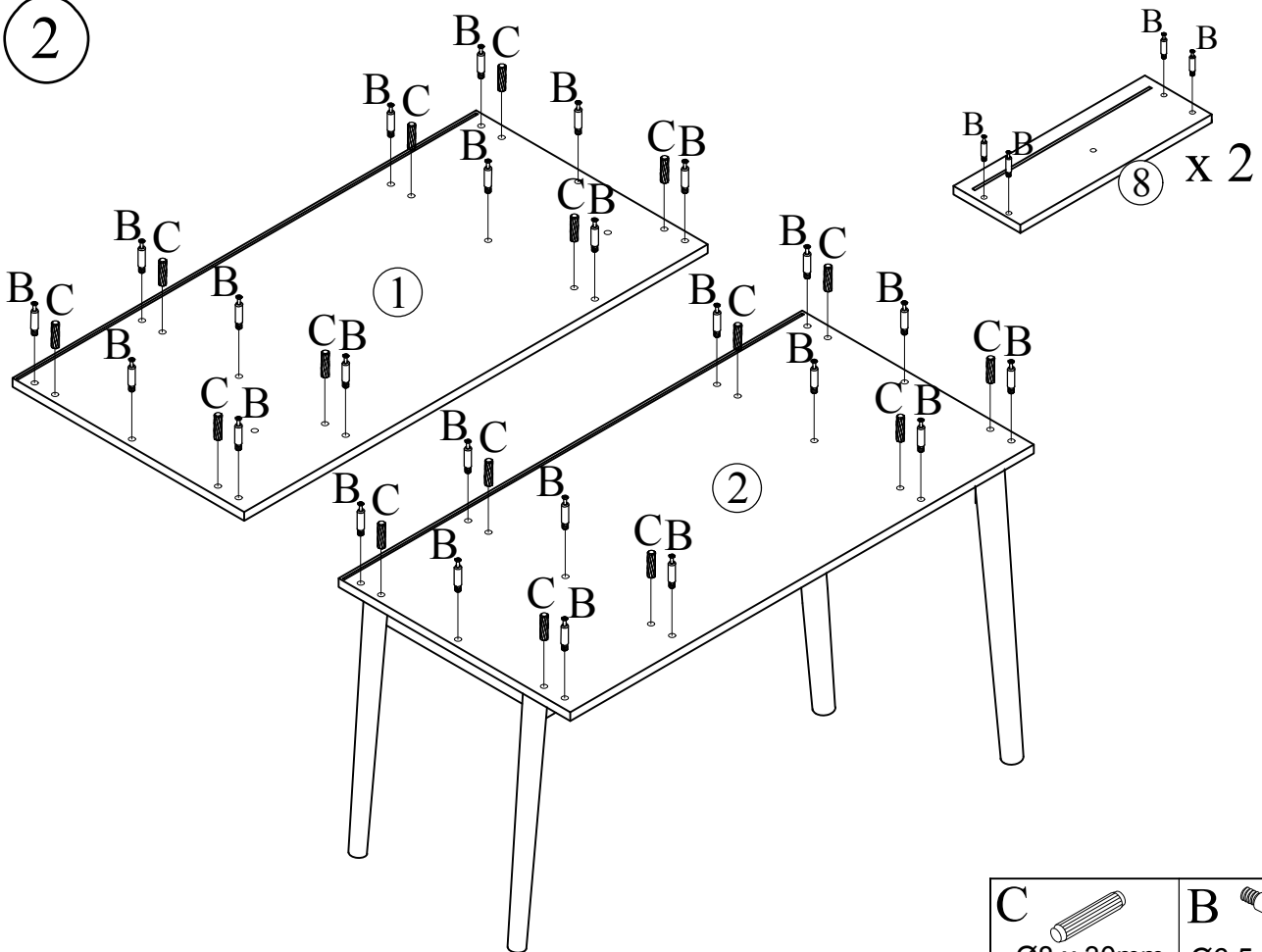
F
Ø10mm
x 8

G
Ø12mm
x 8

E
Ø6 x55mm
x 8

D
x 1

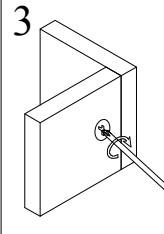
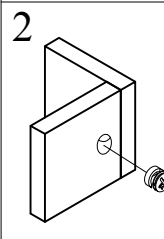
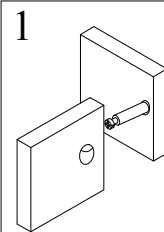
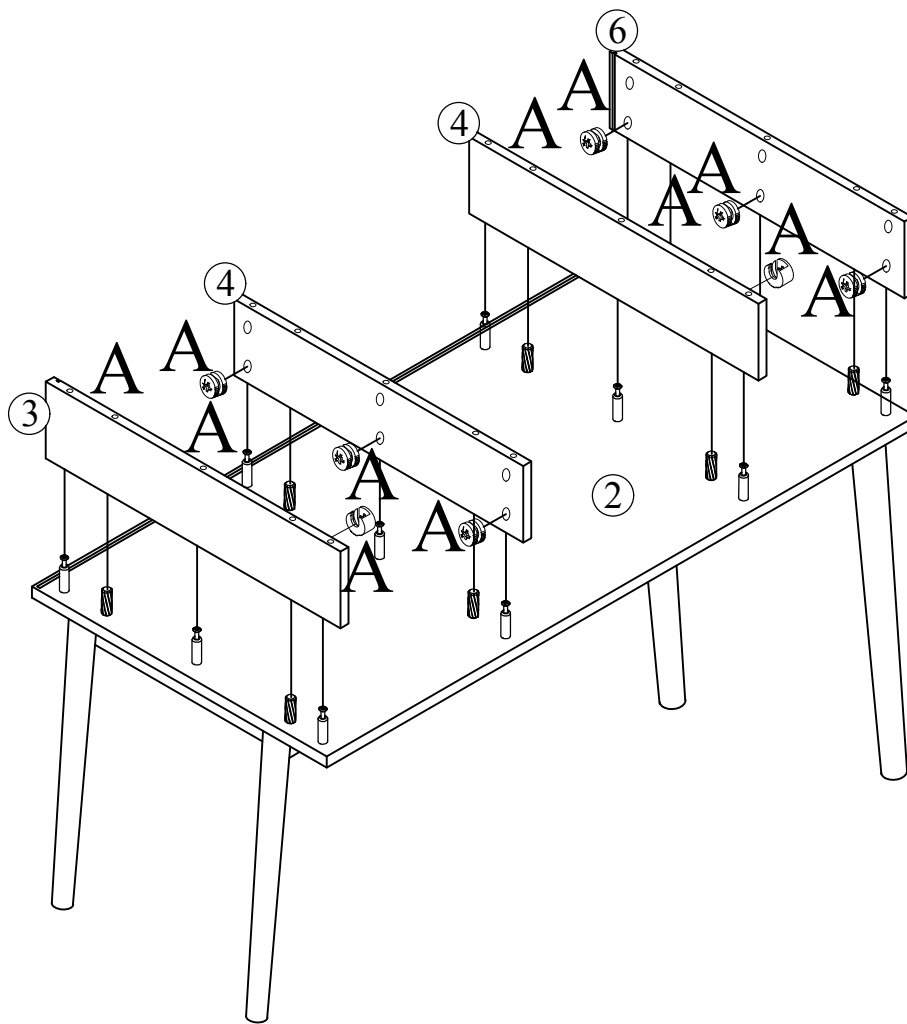
2




C
Ø8 x 30mm
x 16

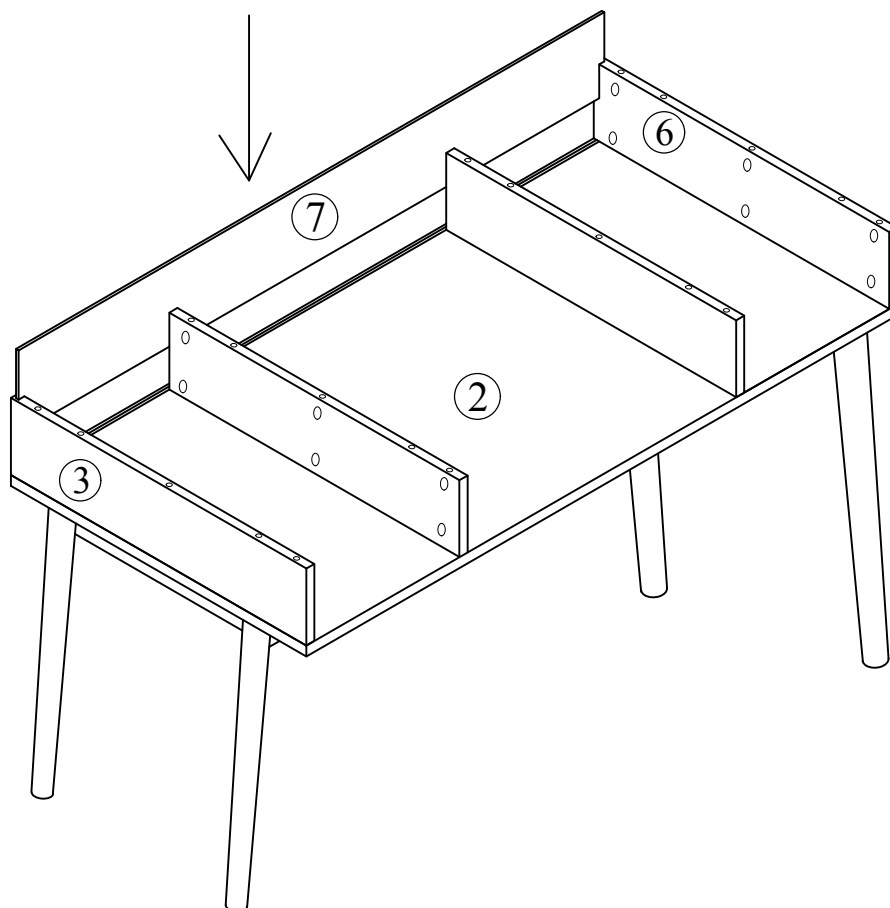
B
Ø6.5 x 38mm
x 32

3

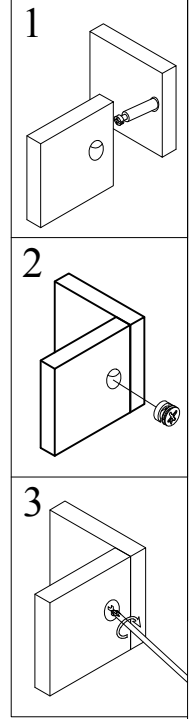
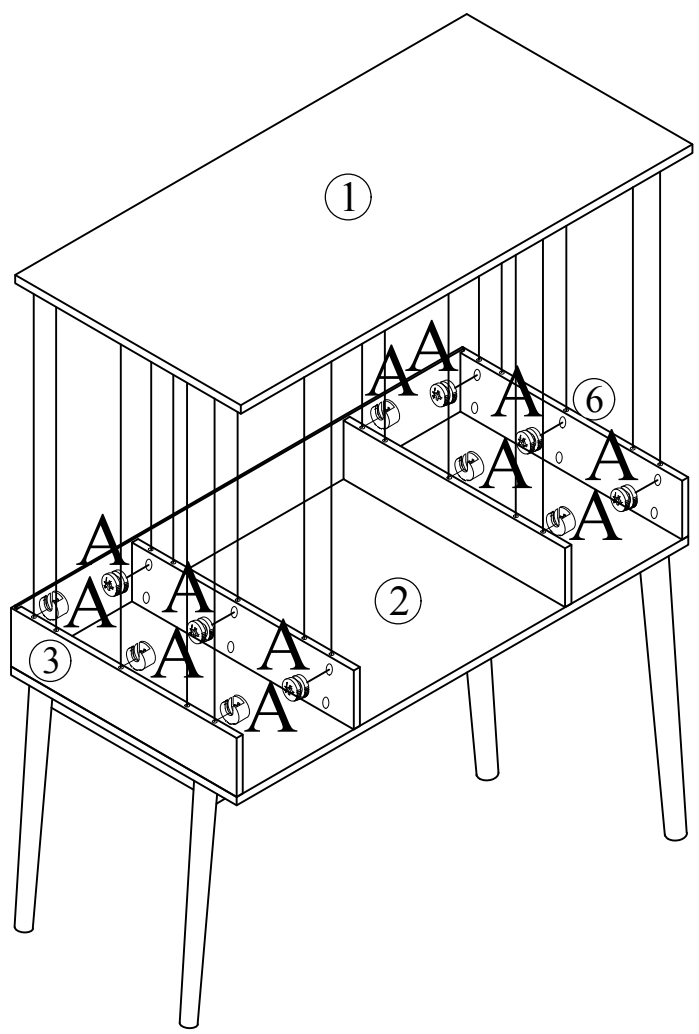



A 
Ø15 x12mm
x 12

4

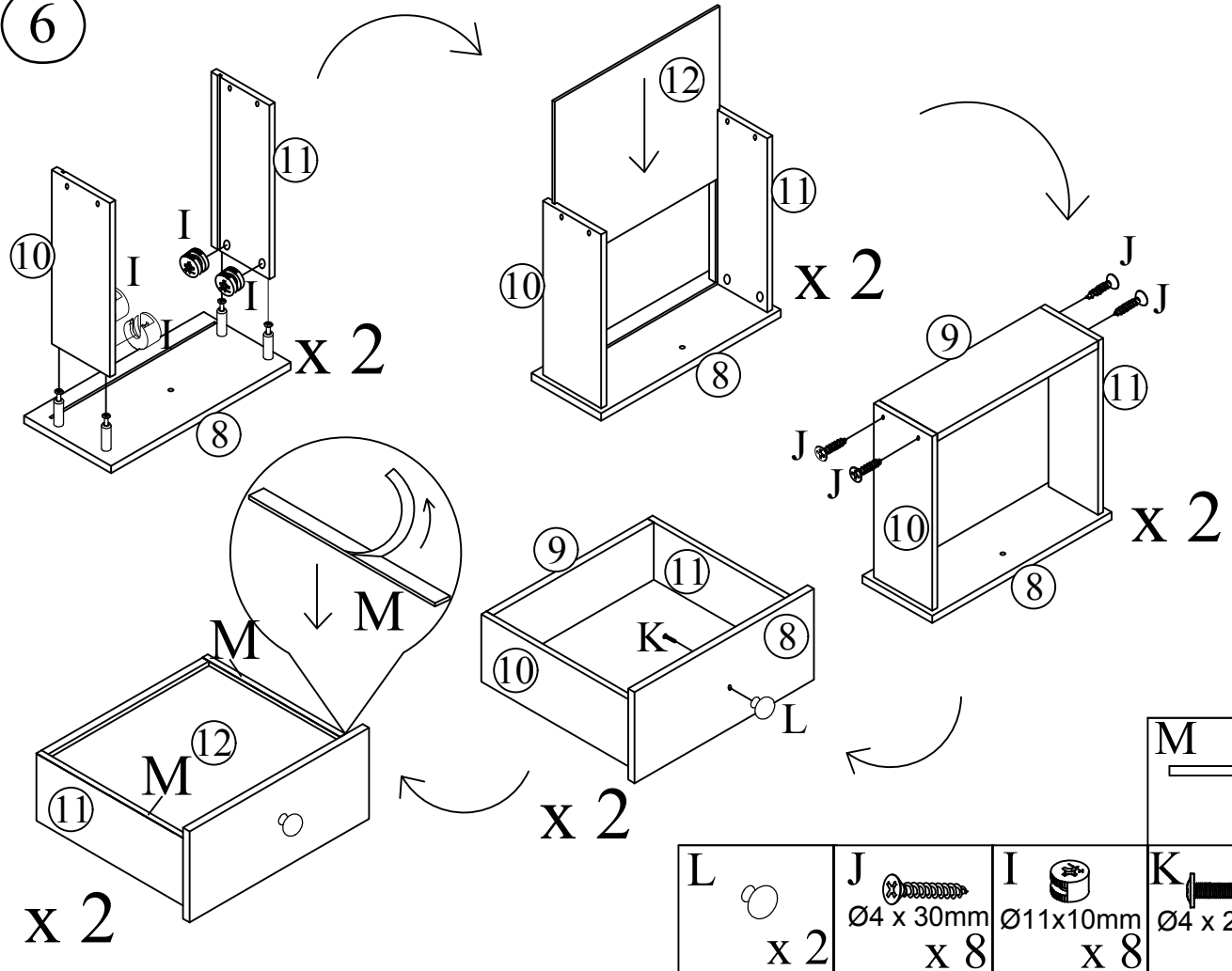



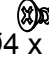

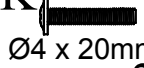
5

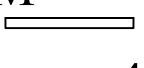


A 
 Ø15 x12mm
 x 12

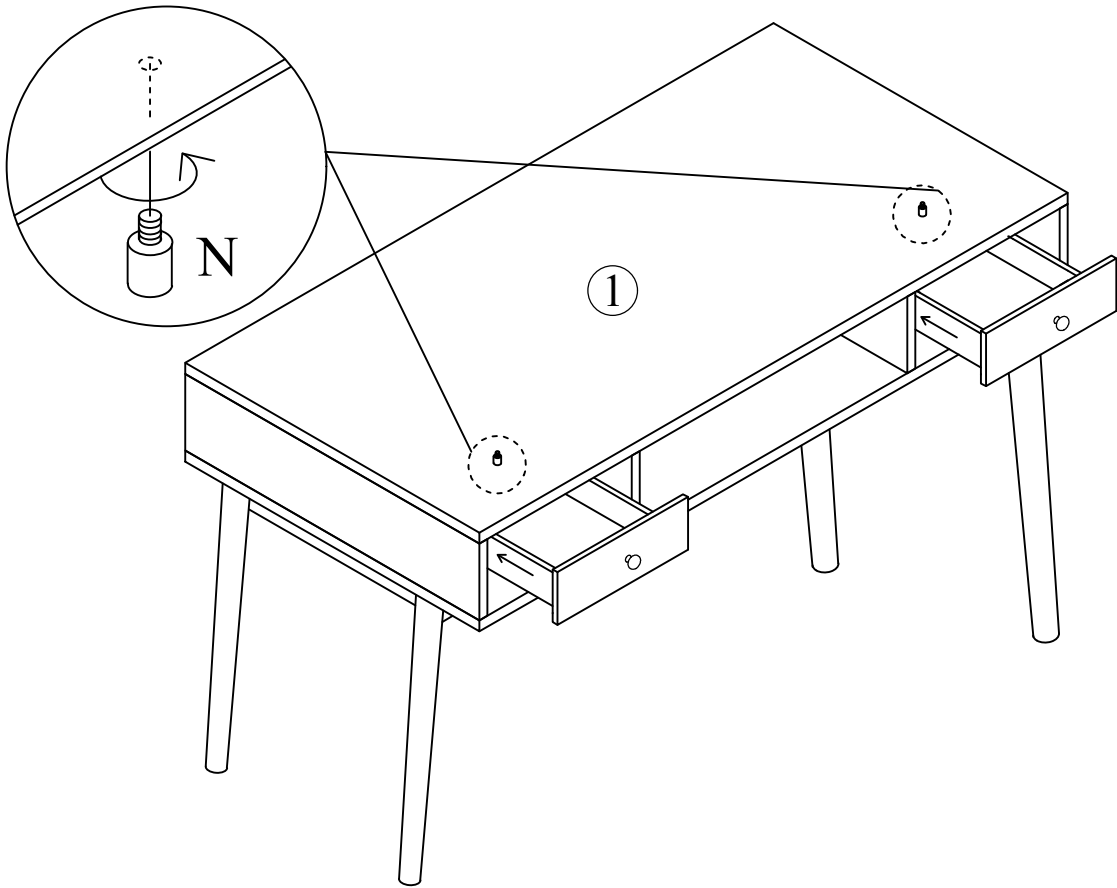
6



L  x 2	J  Ø4 x 30mm x 8	I  Ø11x10mm x 8	K  Ø4 x 20mm x 2
--	---	--	---

M 
x 4

7



N
x 2

8

