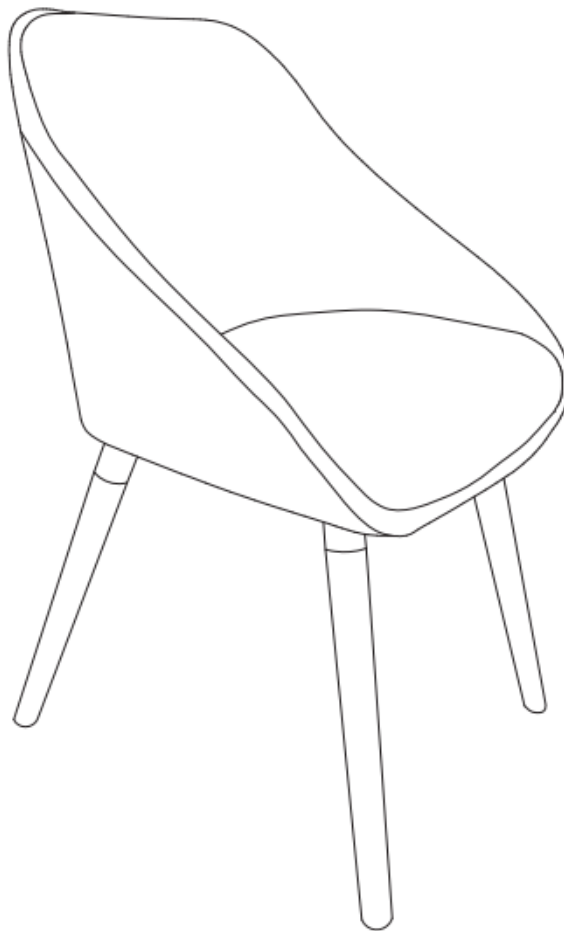





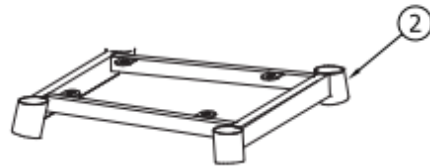
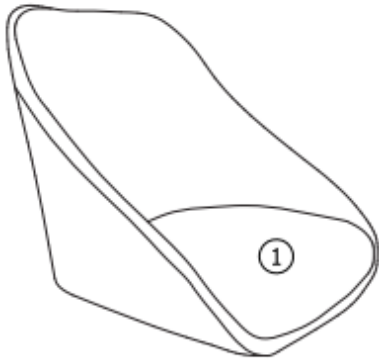
# ORWELL








187192/187193/

187203/187204

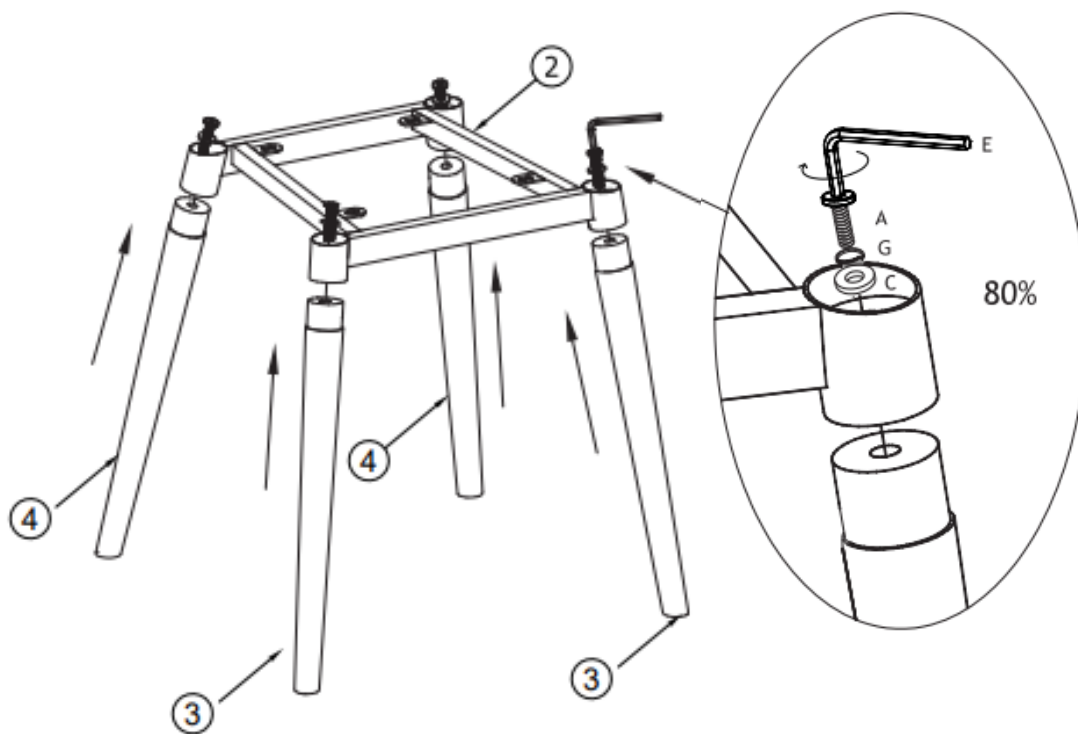






 20 MIN		
---	---	---



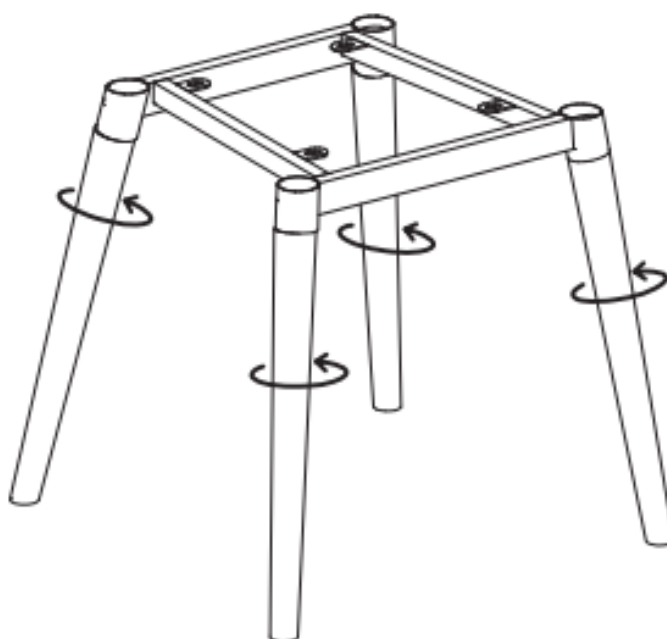
<b>A</b>  M8x40 X4	<b>B</b>  M6x20 X4	<b>C</b>  M8xø18 X4	<b>D</b>  M6xø16 X4	<b>E</b>  X1	<b>F</b>  X4
<b>G</b>  M8 X4					

①

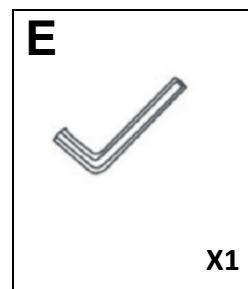
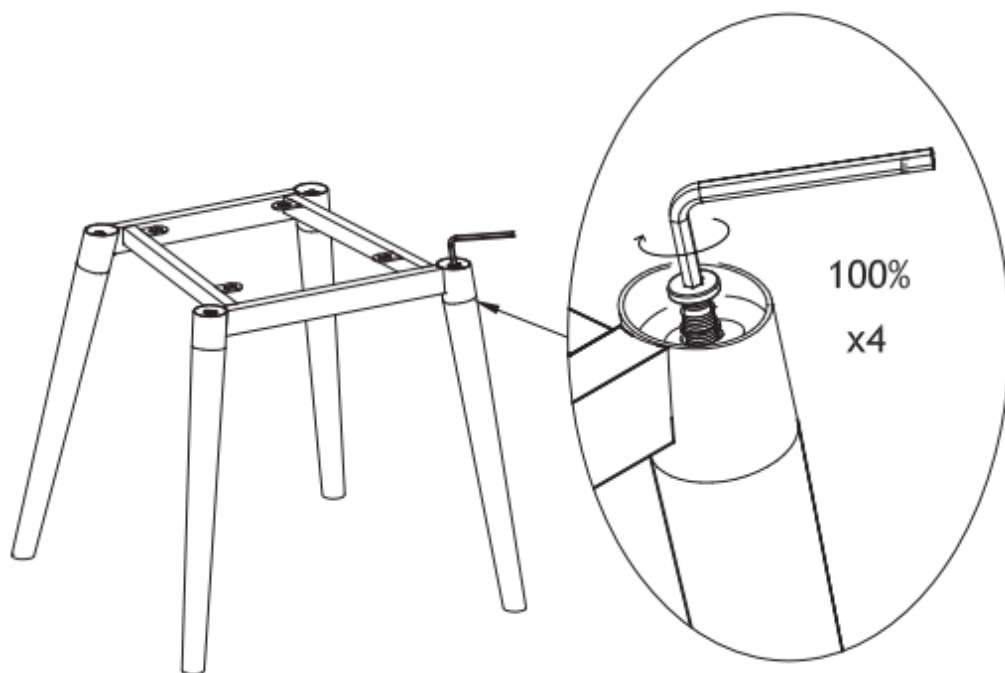


<b>A</b>  M8x40 X4	<b>C</b>  M8xø18 X4	<b>E</b>  X1	<b>G</b>  M8 X4
---	--	---	---

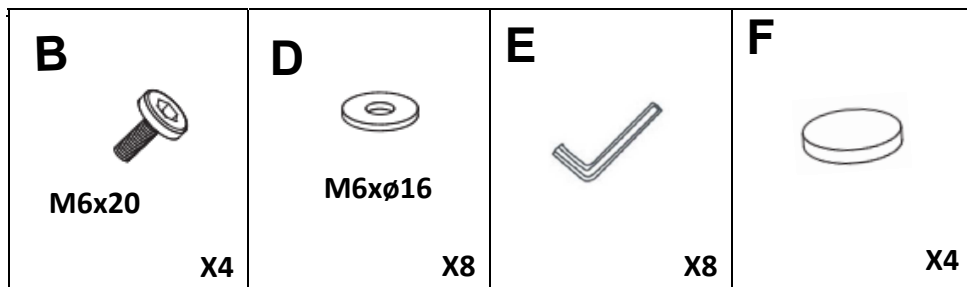
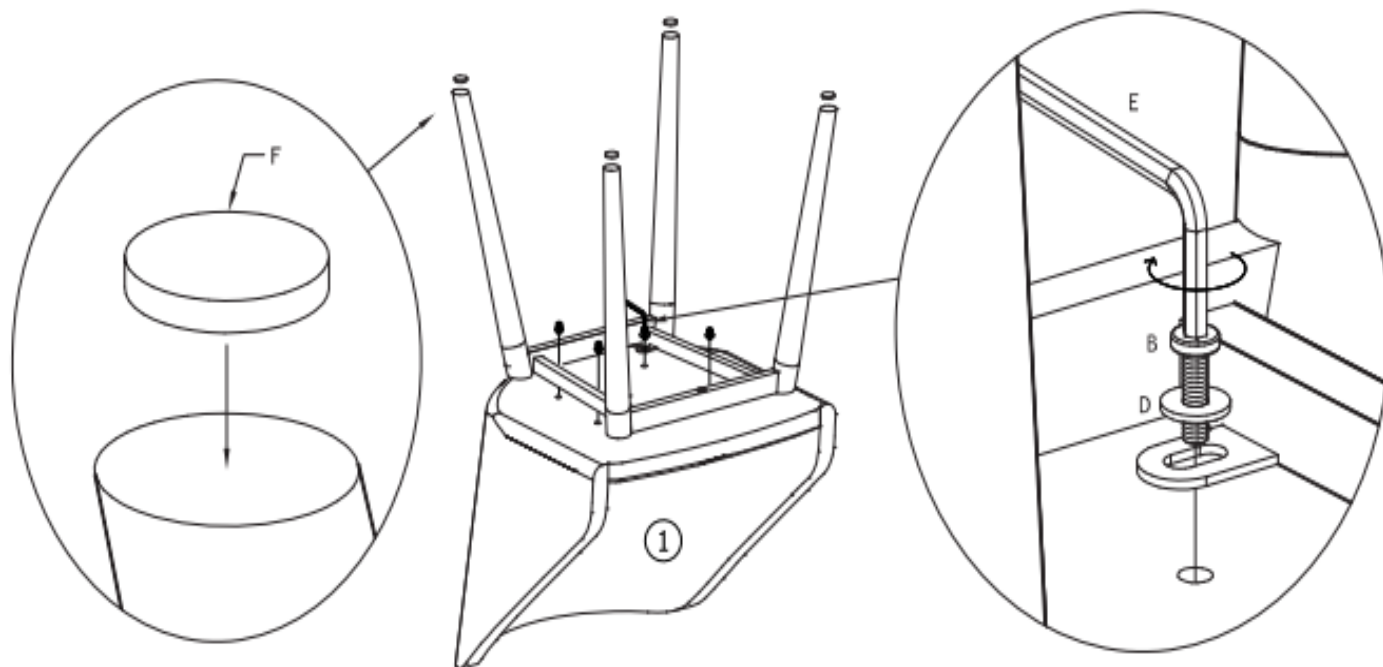
②



3



4



5

