


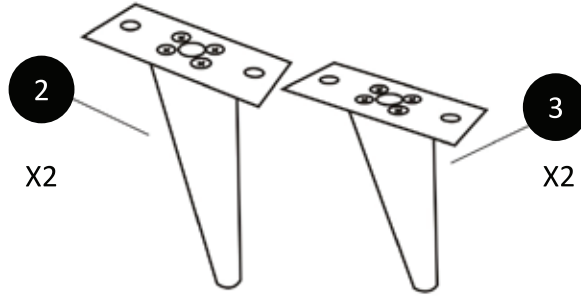
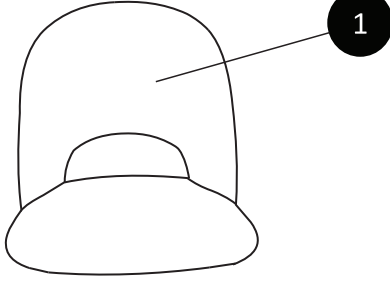
 20 MIN		A  ø6x25mm X8	B  X1
---	---	---	---

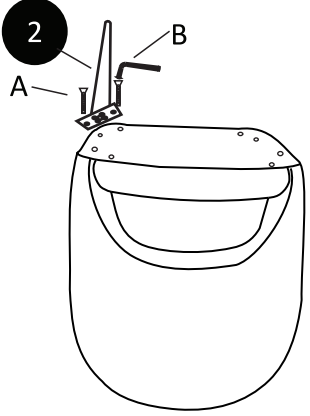
1



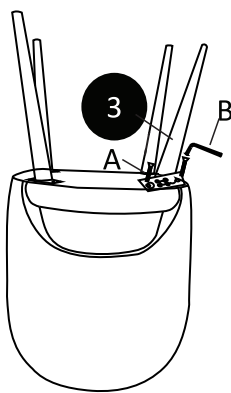
2



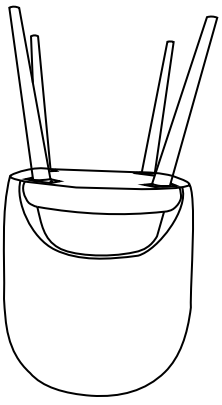
3



4



5



6

