
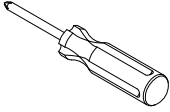
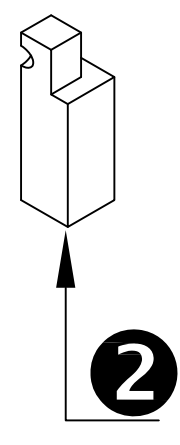
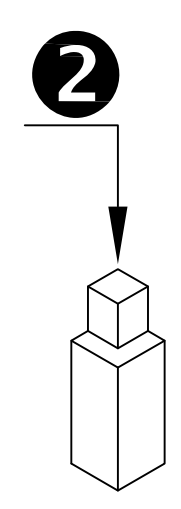
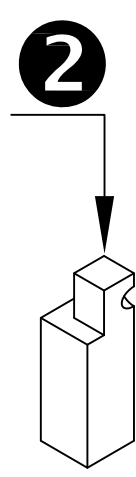
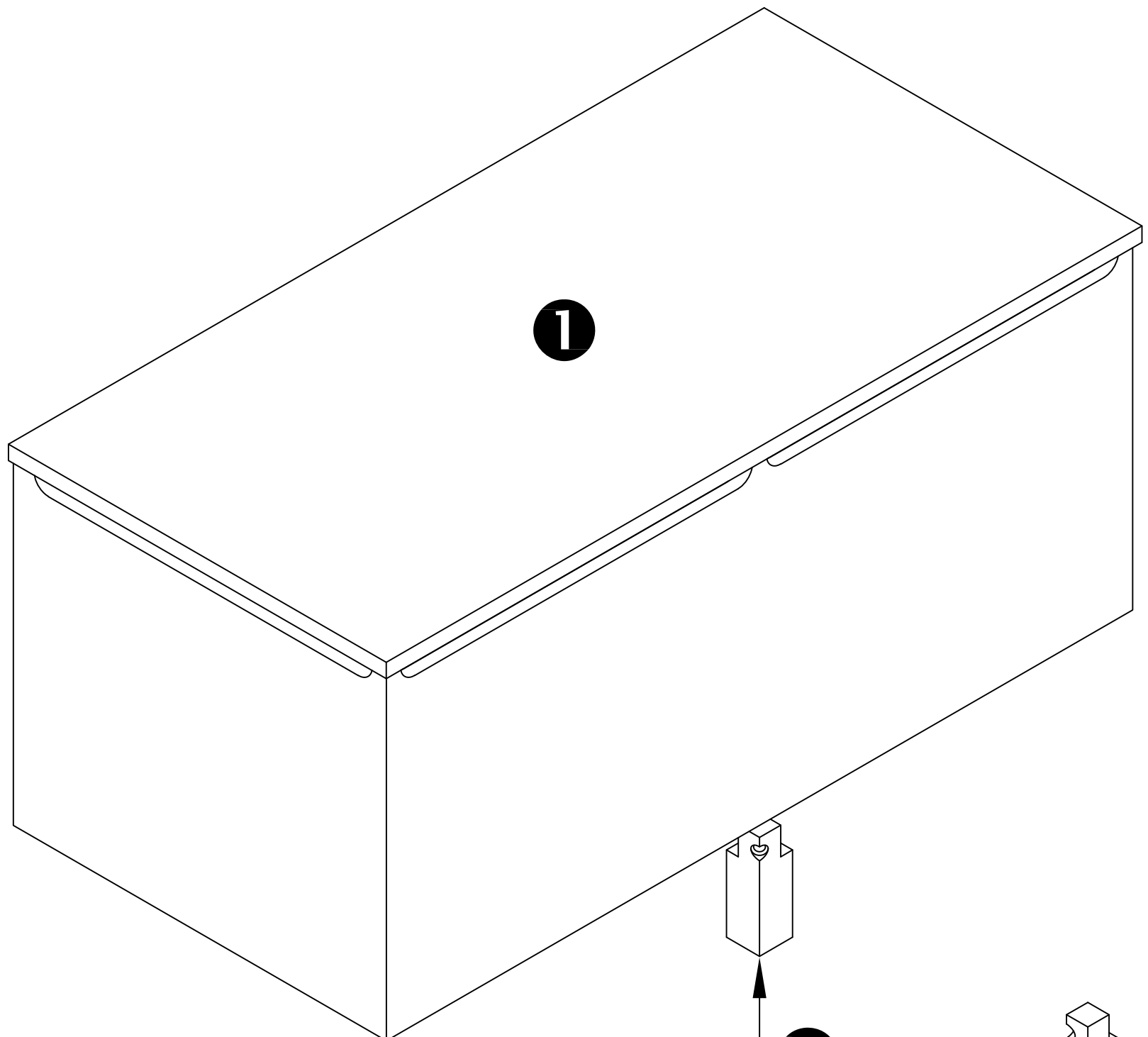
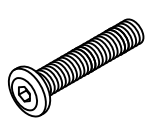
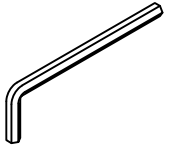
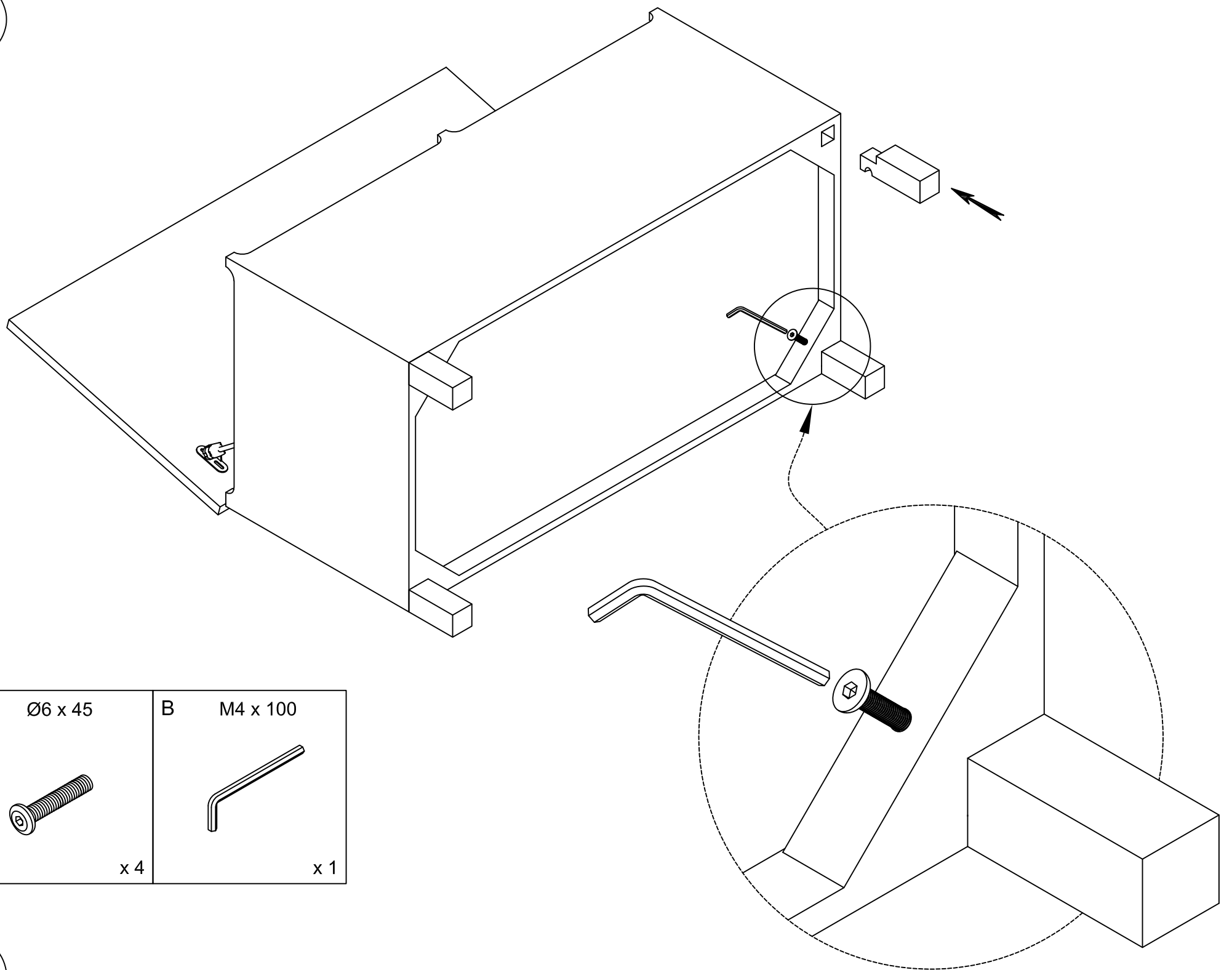
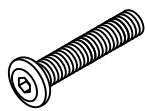
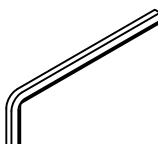
 10 MIN		
--	---	---



A	Ø6 x 45	B	M4 x 100
			
	x 4		x 1

1



A	Ø6 x 45	B	M4 x 100
			
	x 4		x 1

2

