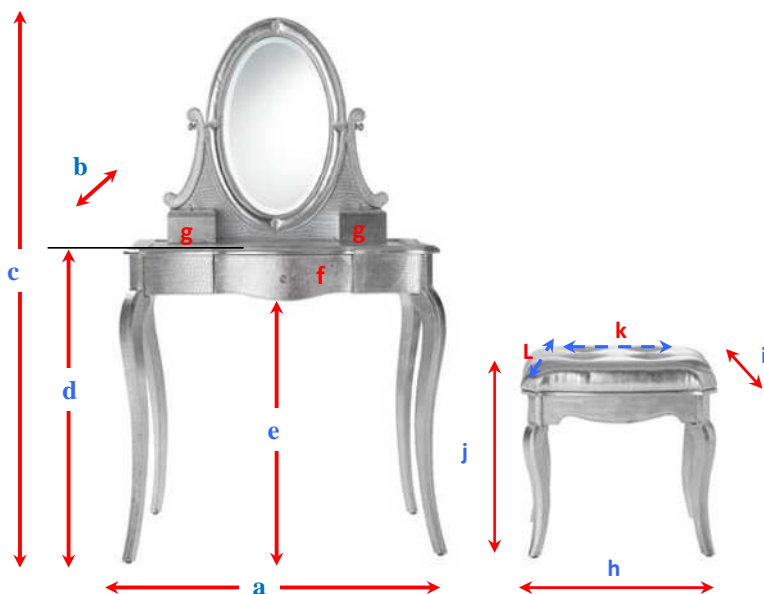


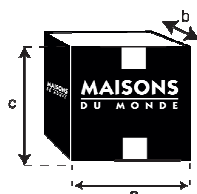
DIAMANT

501 403 29



a = 84 cm
b = 44 cm
c = 144 cm
d = 81,5 cm

e = 68 cm
f = 32 x 27 x 9 cm
g = 11,5 x 9,5 x 6 cm
h = 47,5 cm
i = 33 cm
j = 48 cm
k = 39 cm
L = 24 cm



X 1

a = 90 cm
b = 44 cm
c = 48 cm

= 24 Kg