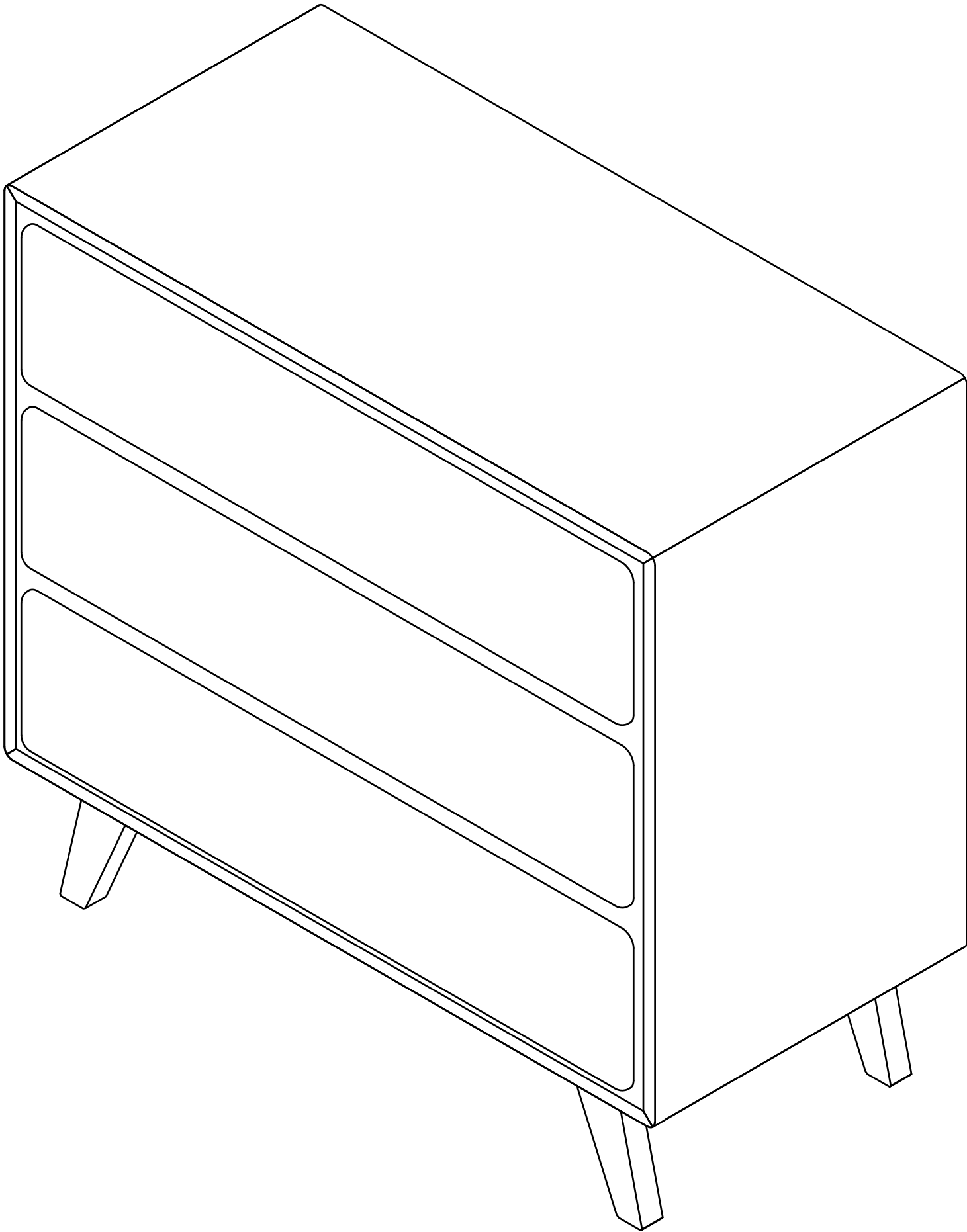


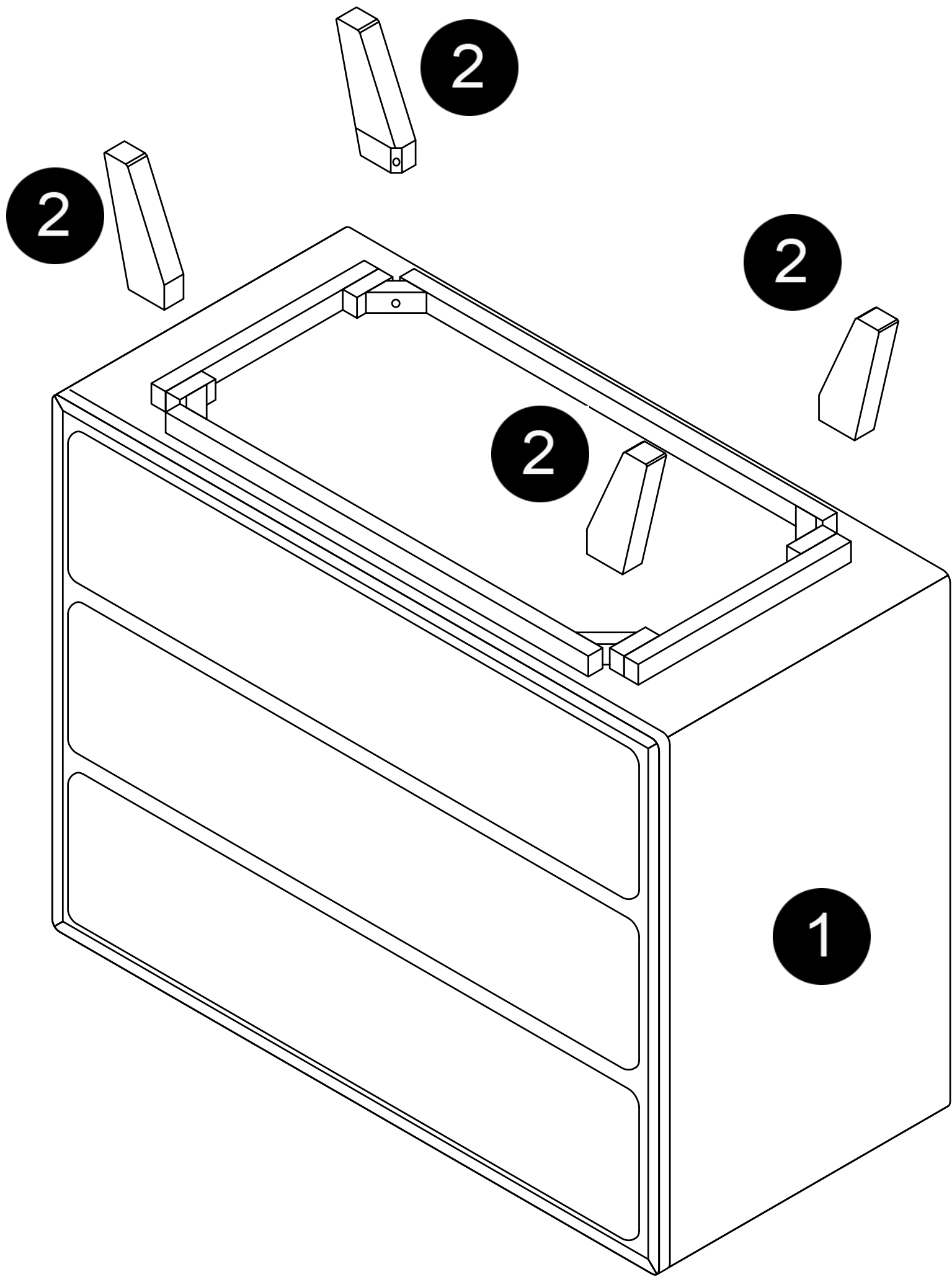
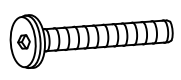



160207-160208-160209
170594-181139

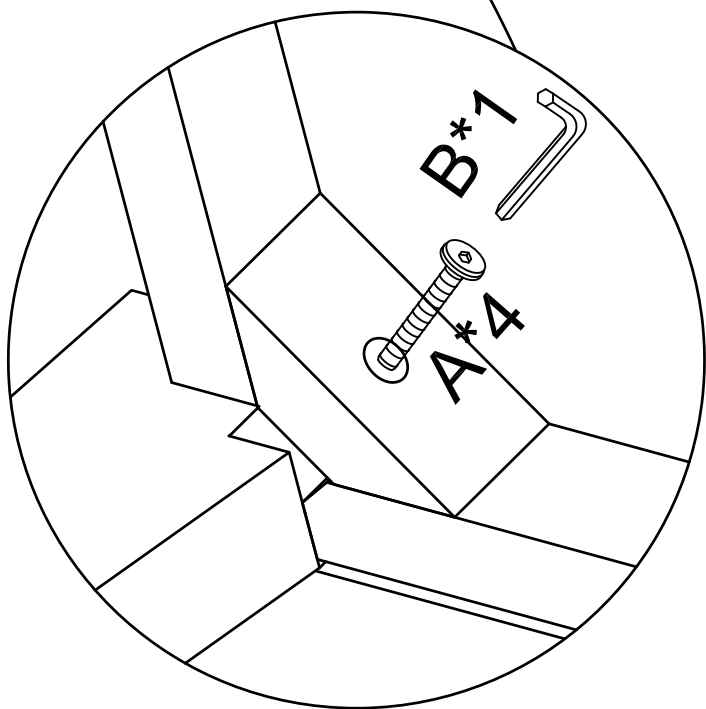
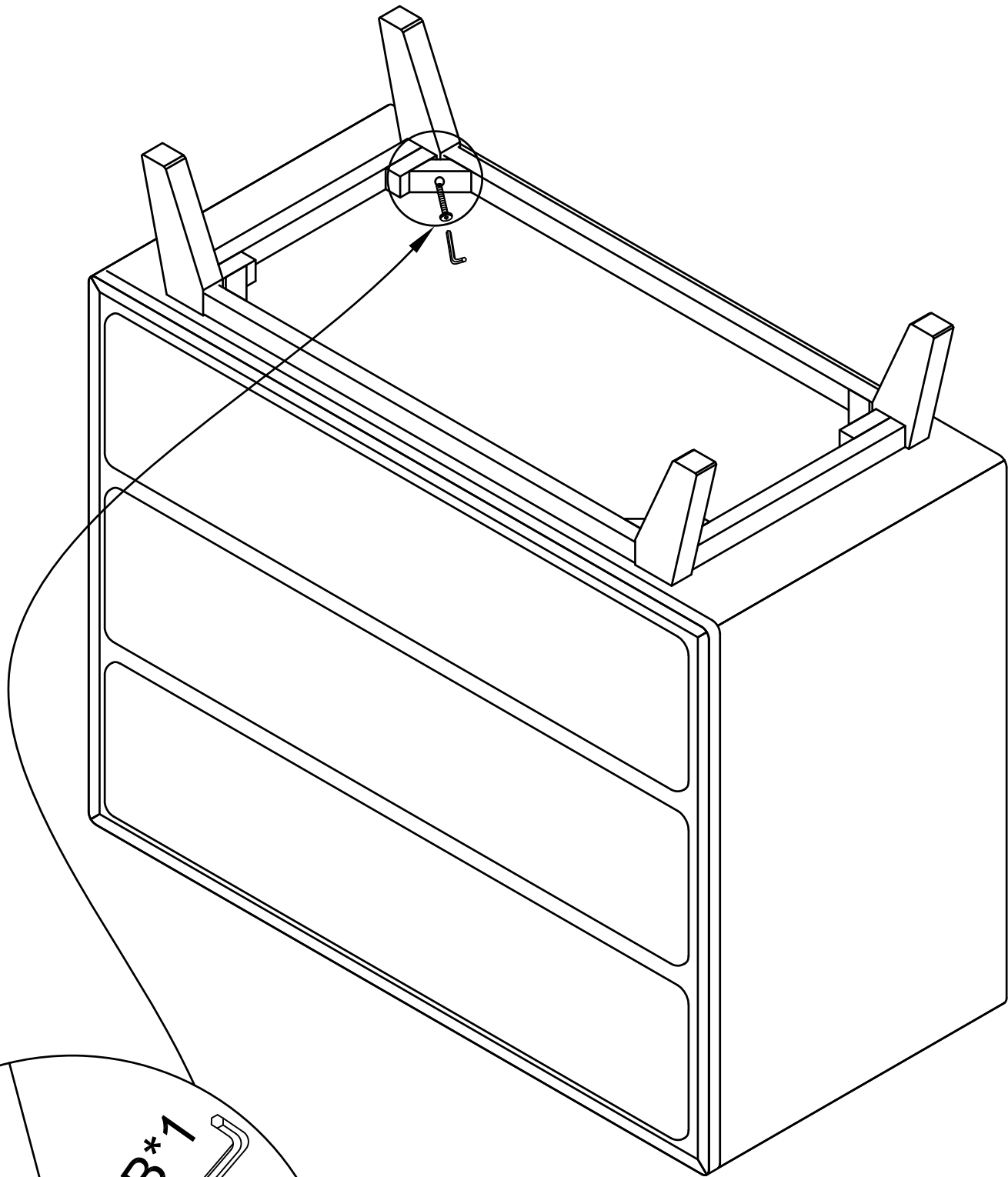


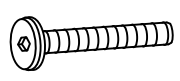

 20 MIN	
--	---



A  Ø6*45mm X4	B  4*100 mm X1
---	--

1



A  Ø6*45mm X4	B  4*100 mm X1
---	--

②

