



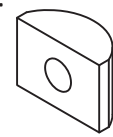


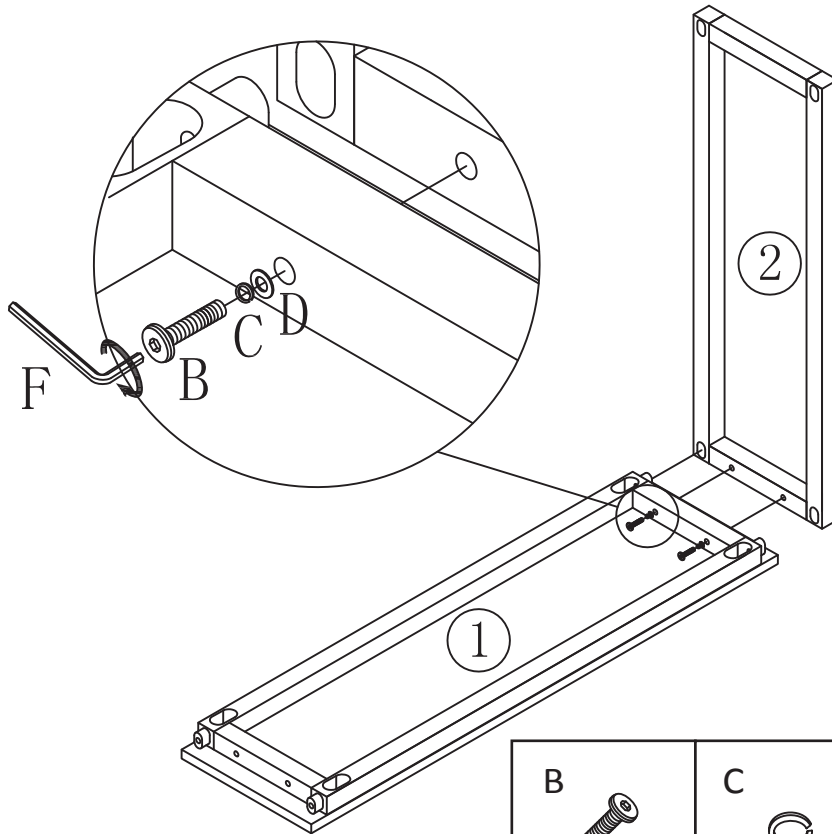






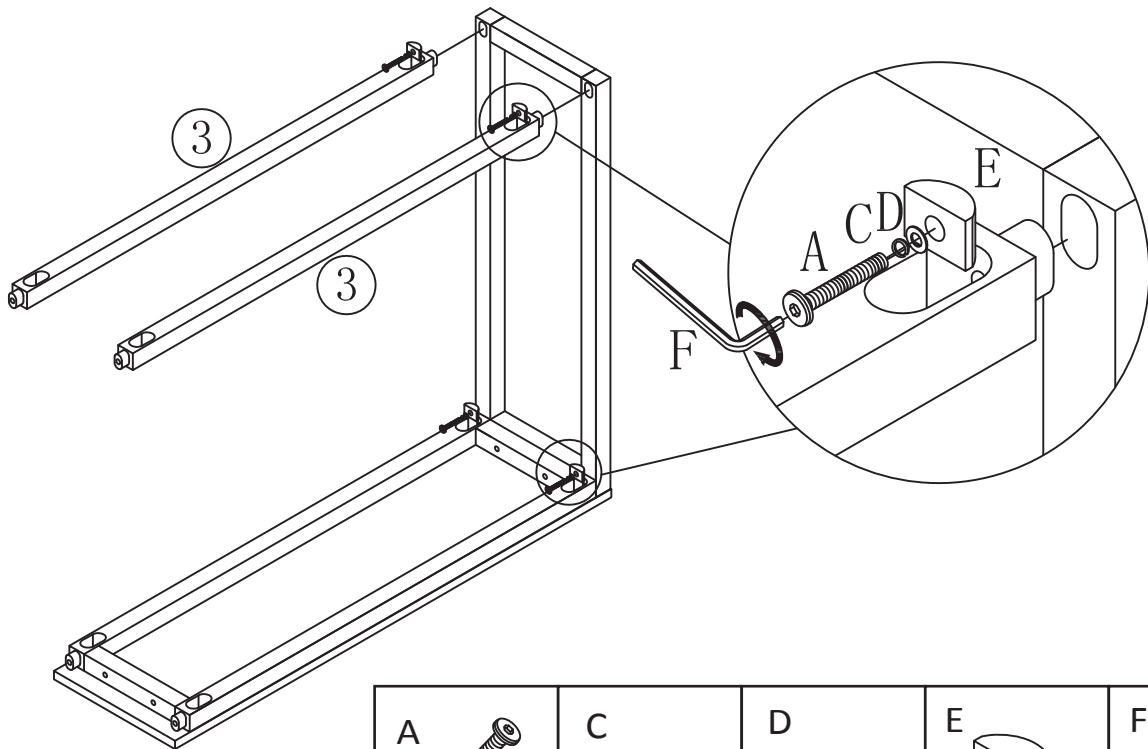
<p>A</p>  <p>Ø6x60mm X8</p>	<p>B</p>  <p>Ø6x35mm X4</p>	<p>C</p>  <p>M6 X12</p>	<p>D</p>  <p>M6 X12</p>	<p>E</p>  <p>X8</p>	<p>F</p>  <p>M4 X1</p>
<p>G</p>  <p>X4</p>					




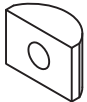

1



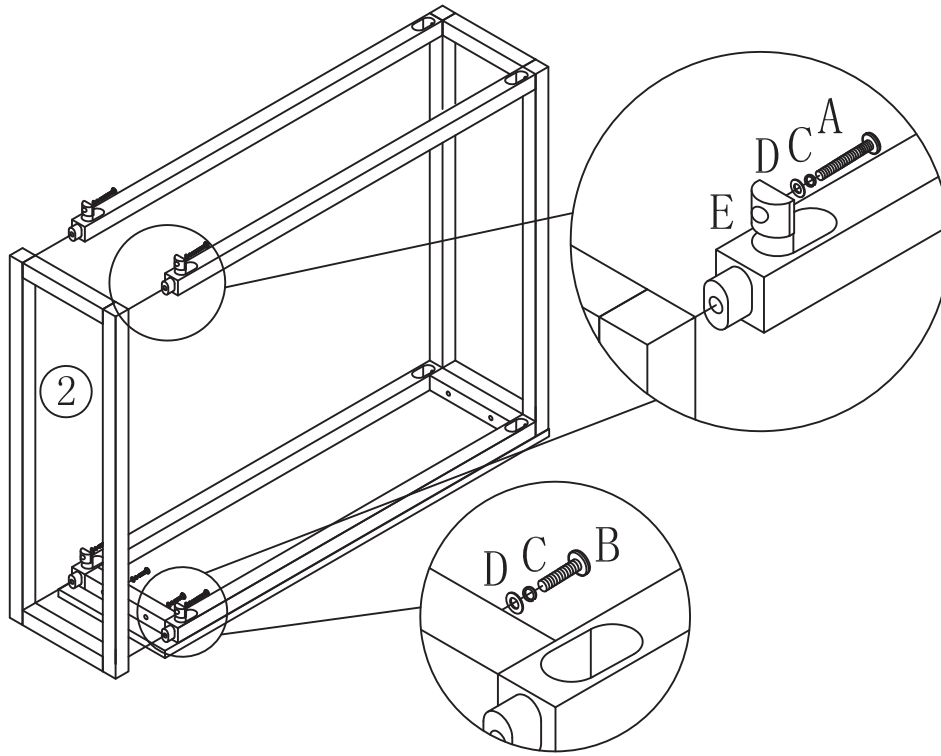
B  Ø6x35mm X2	C  M6 X2	D  M6 X2	F  M4 X1
--	---	---	---







2



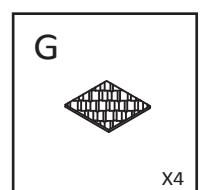
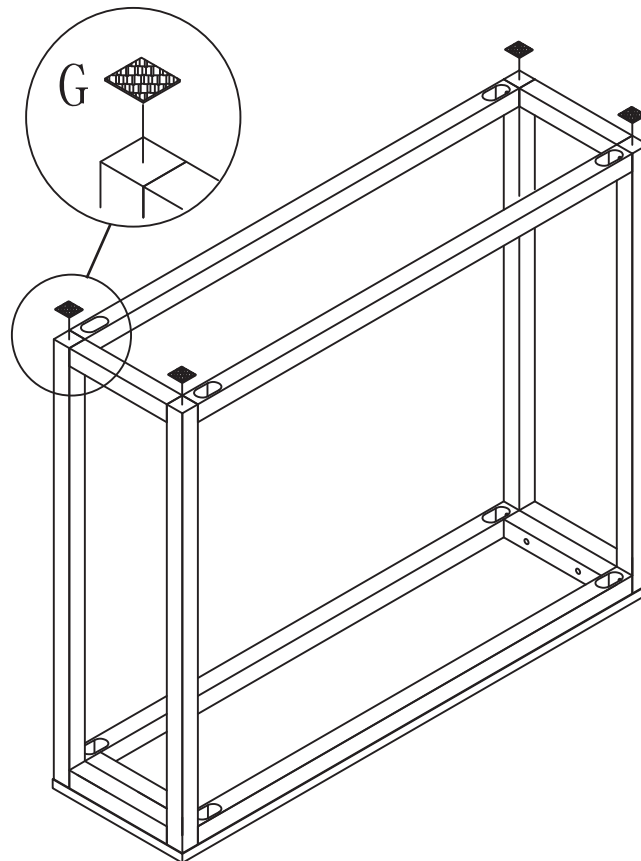
A  Ø6x60mm X4	C  M6 X4	D  M6 X4	E  X4	F  M4 X1
--	---	---	---	---

3

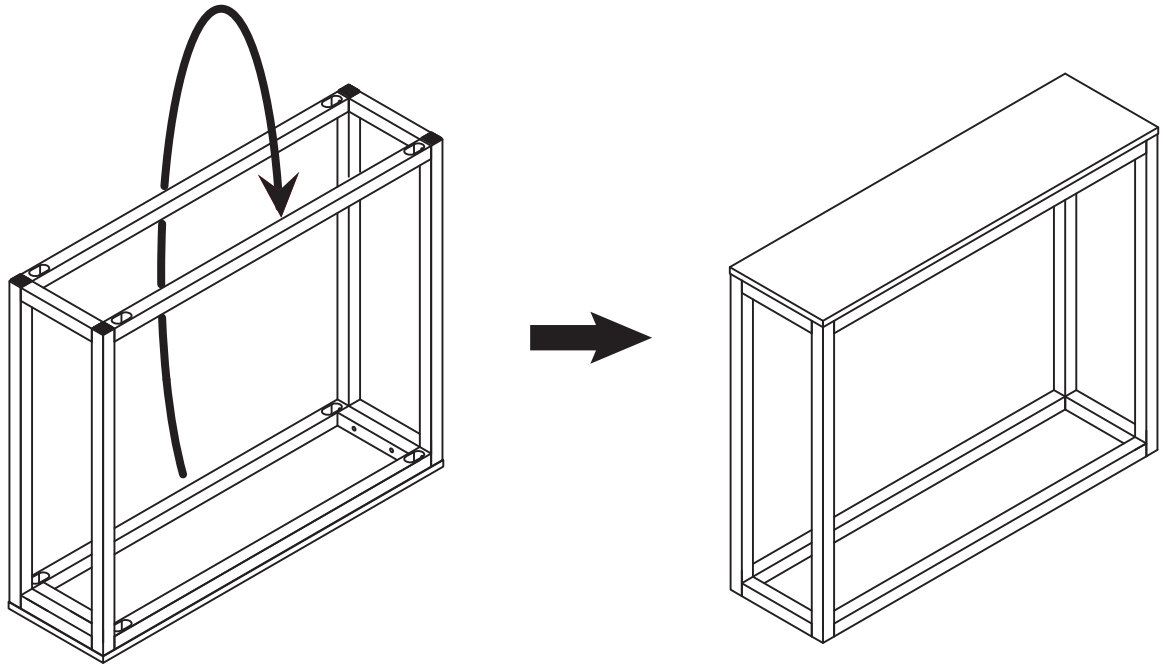


<p>A</p>  <p>Ø6x60mm X4</p>	<p>B</p>  <p>Ø6x35mm X2</p>	<p>C</p>  <p>M6 X6</p>	<p>D</p>  <p>M6 X6</p>	<p>E</p>  <p>X4</p>	<p>F</p>  <p>M4 X1</p>
--	--	---	---	---	---

4



5



6

