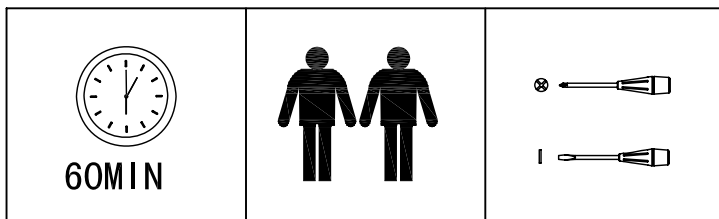
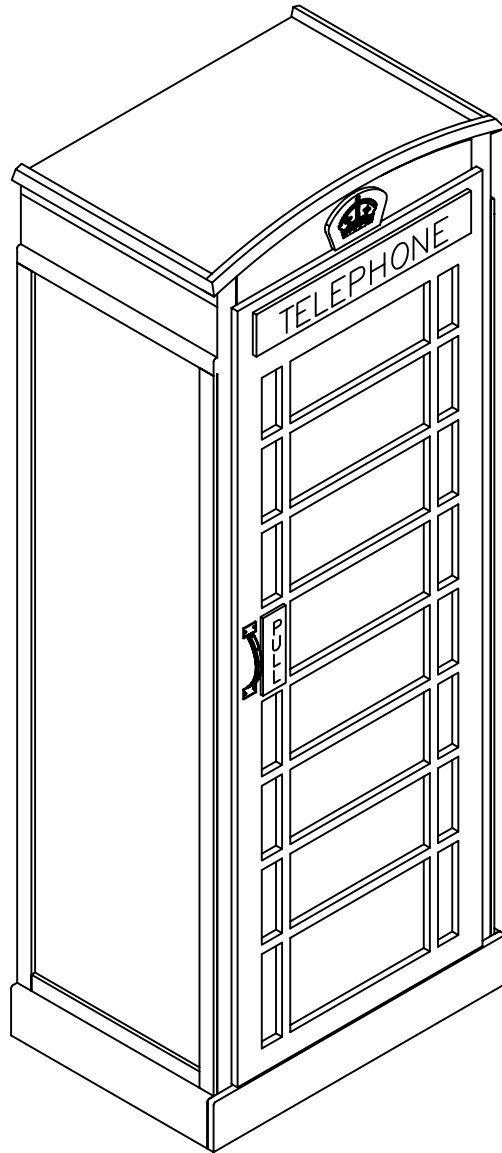
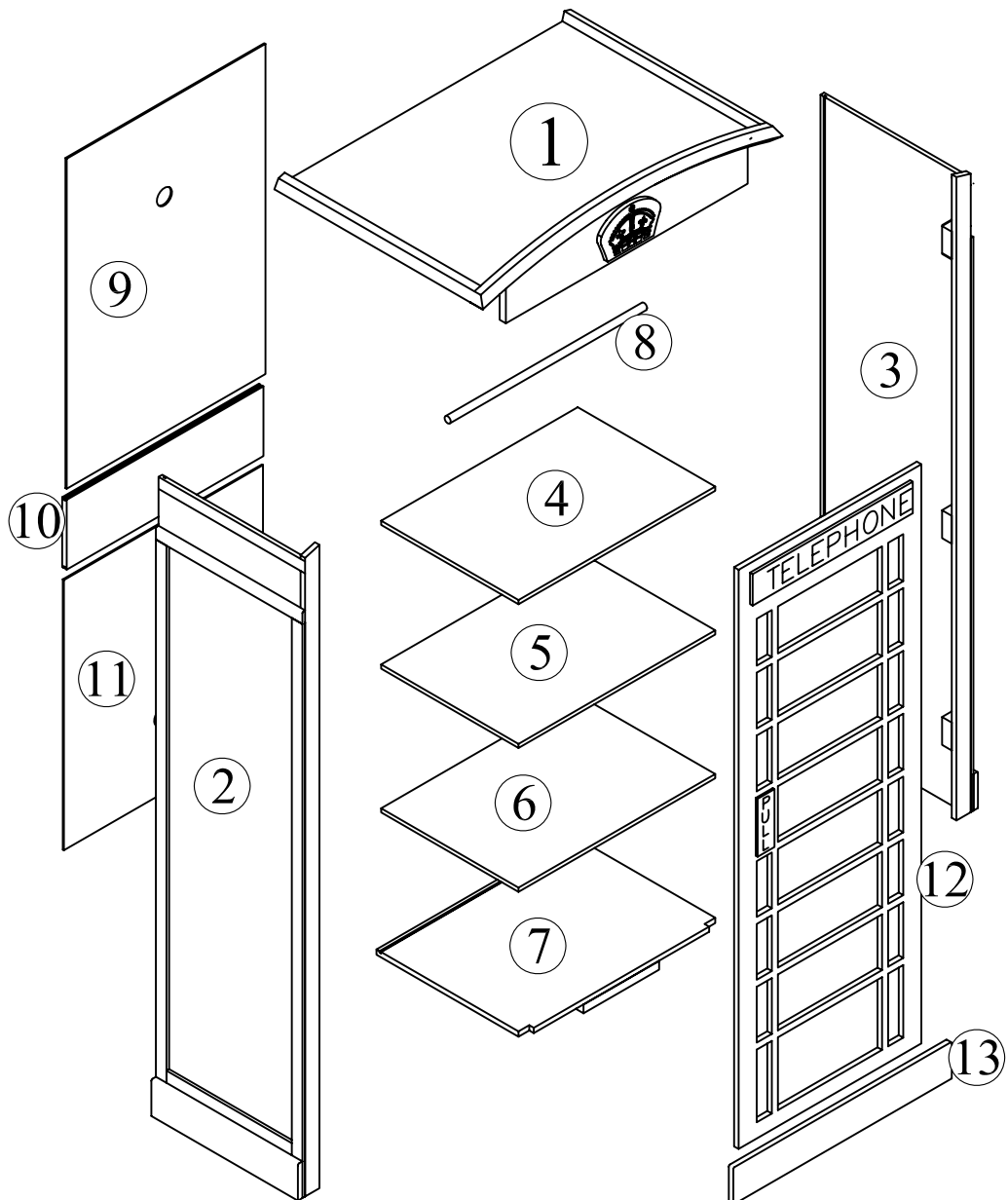
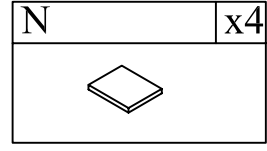
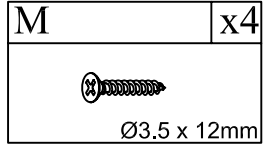
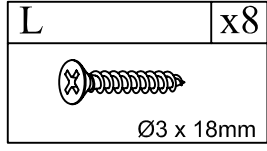
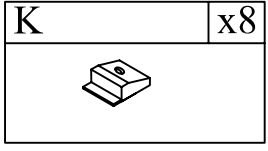
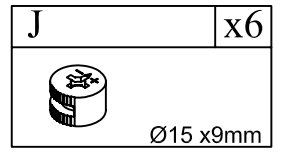
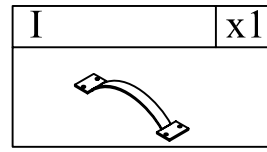
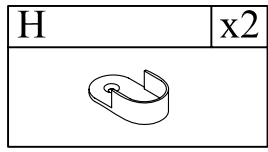
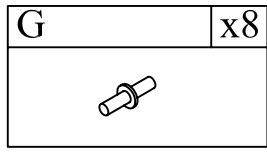
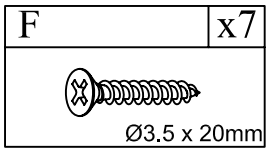
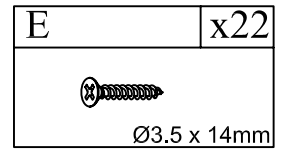
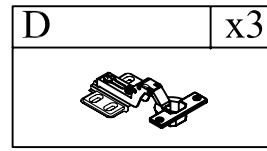
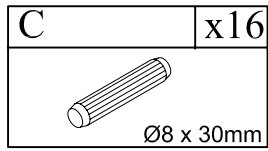
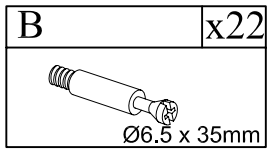
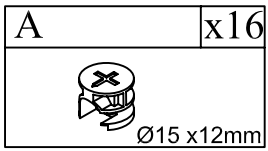


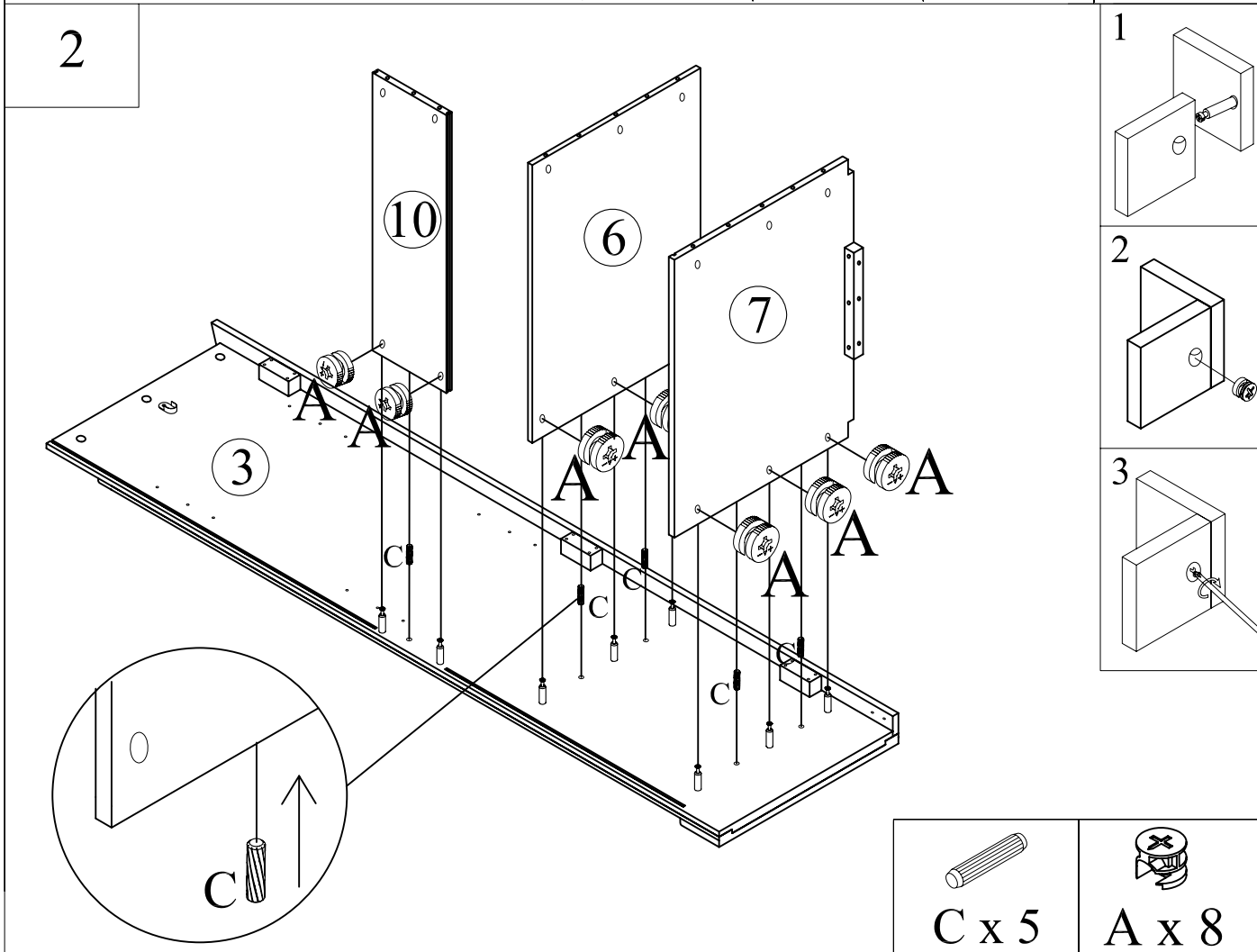
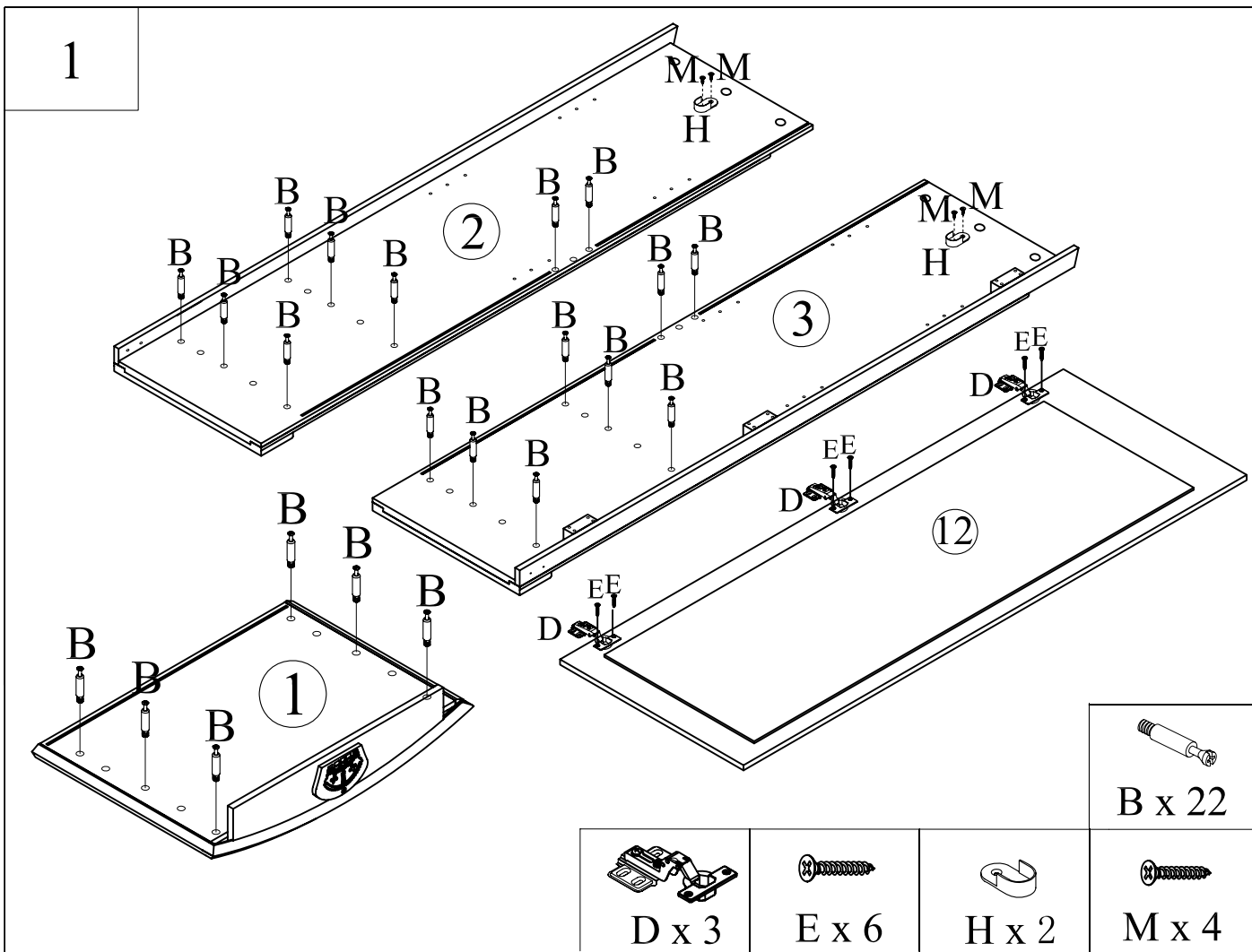


PHONEBOX

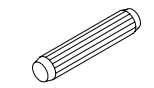
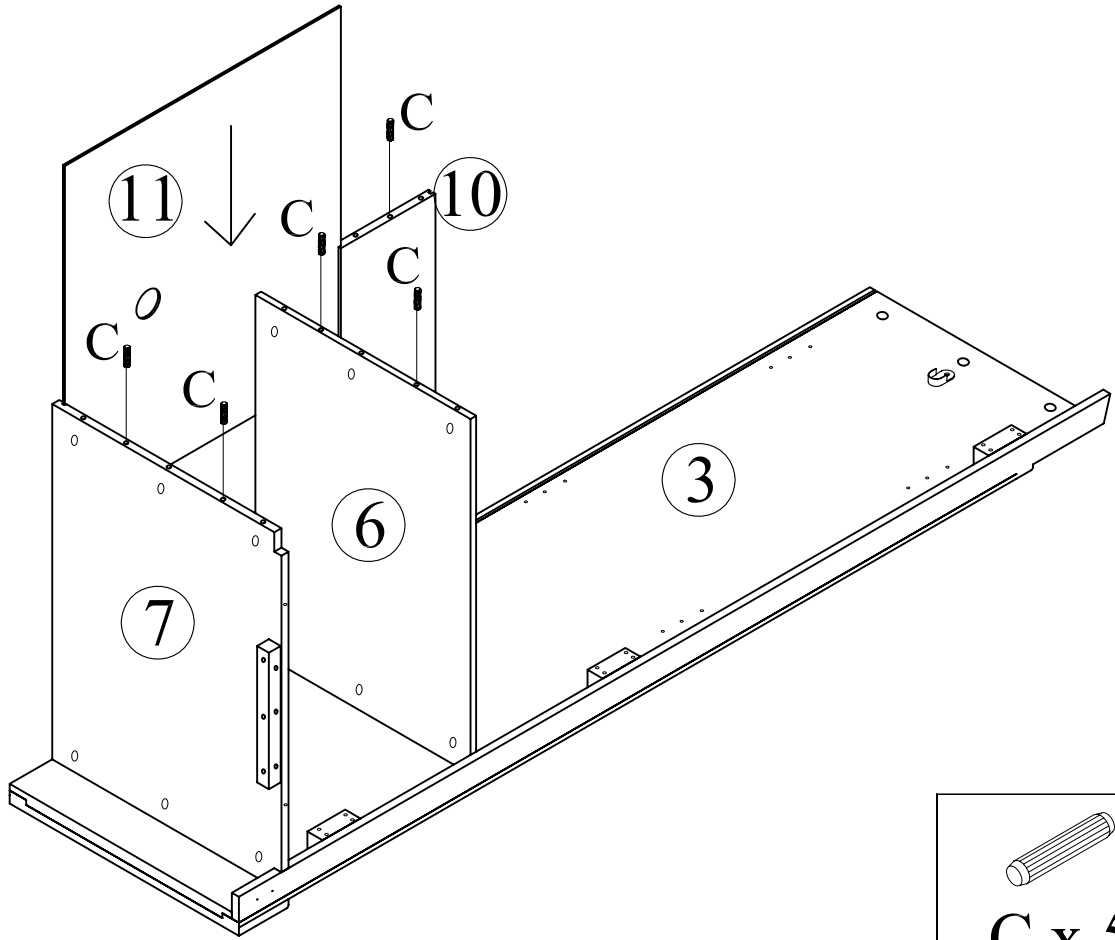
143 376/135 118/135 117





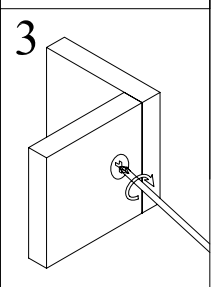
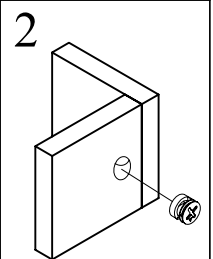
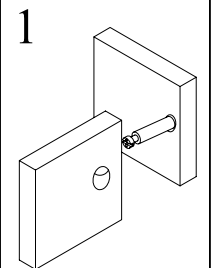
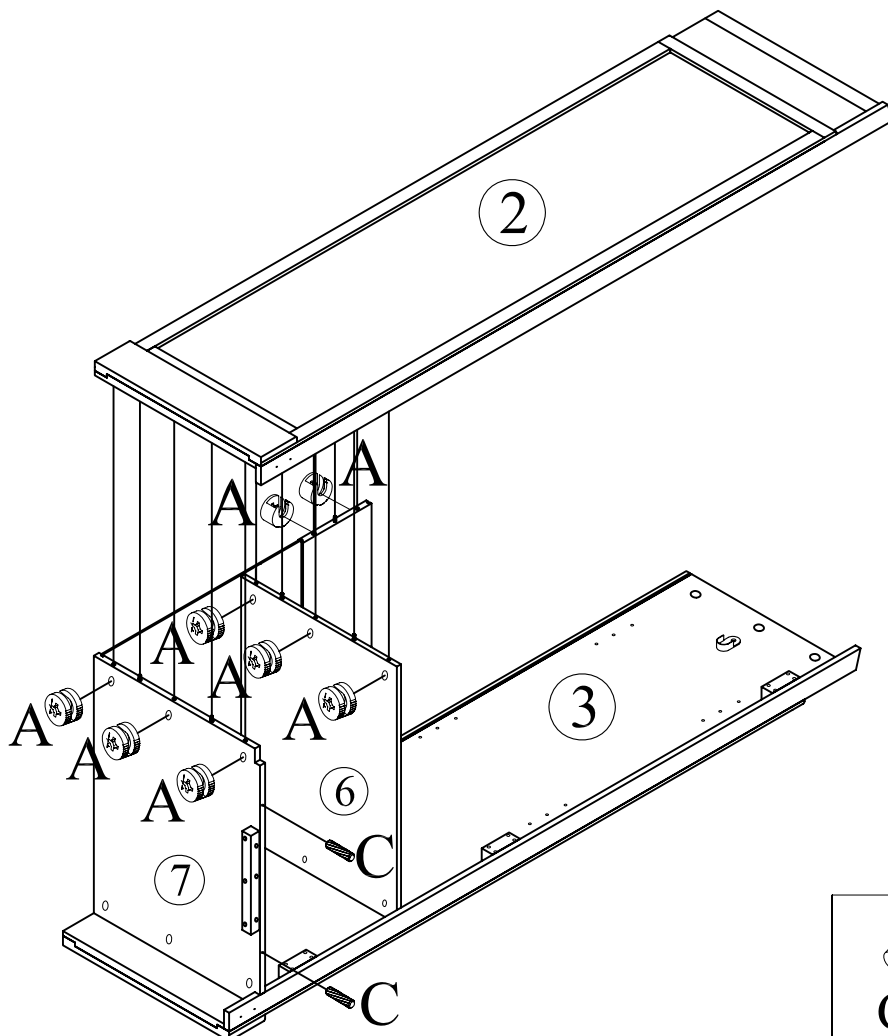


3



C x 5

4

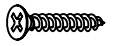
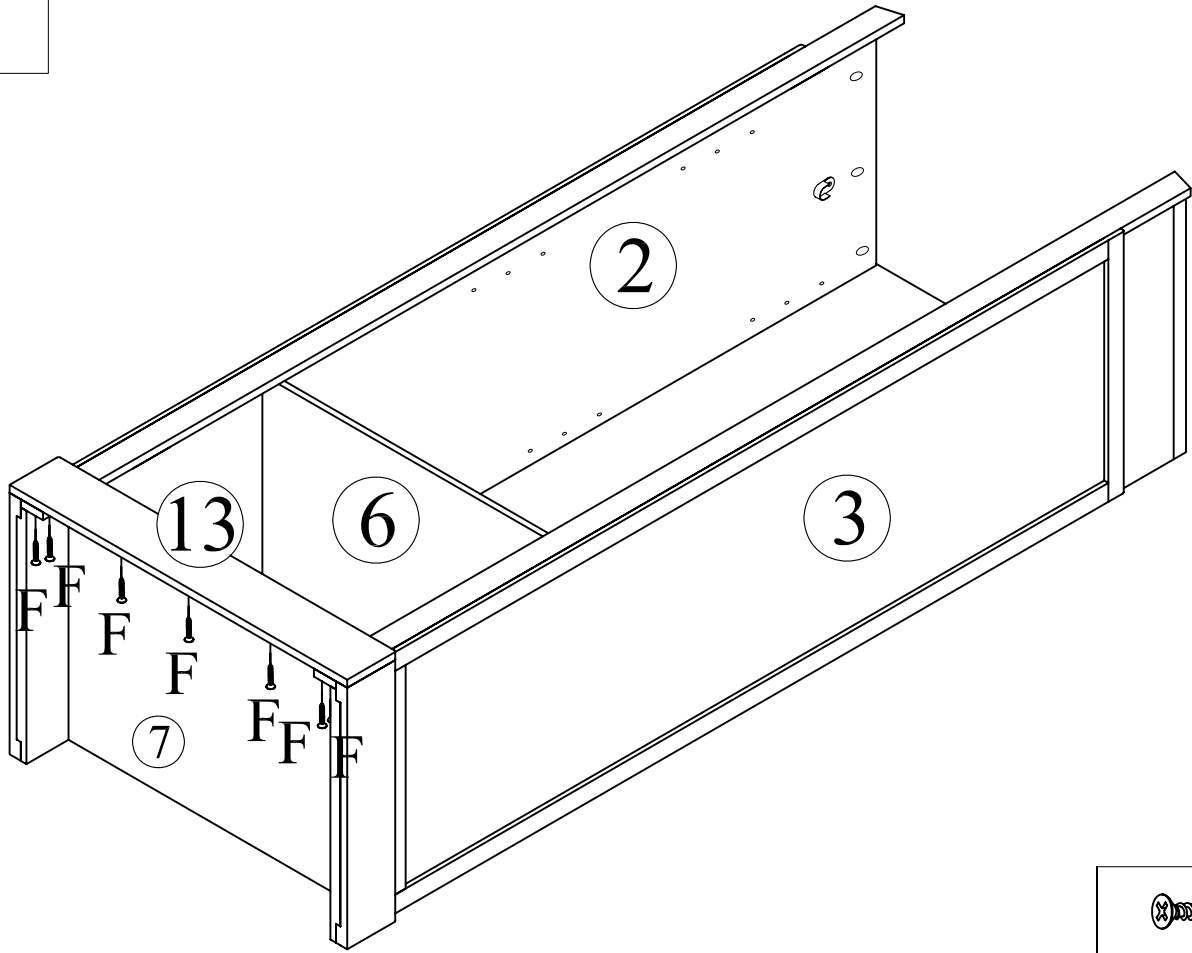


C x 2



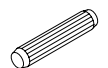
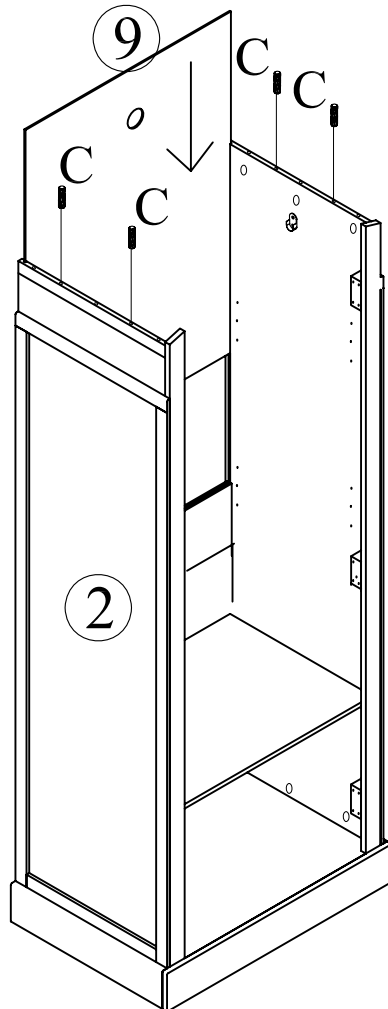
A x 8

5



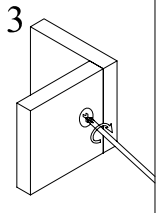
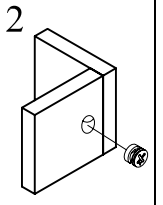
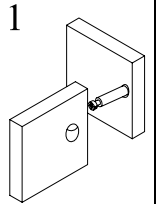
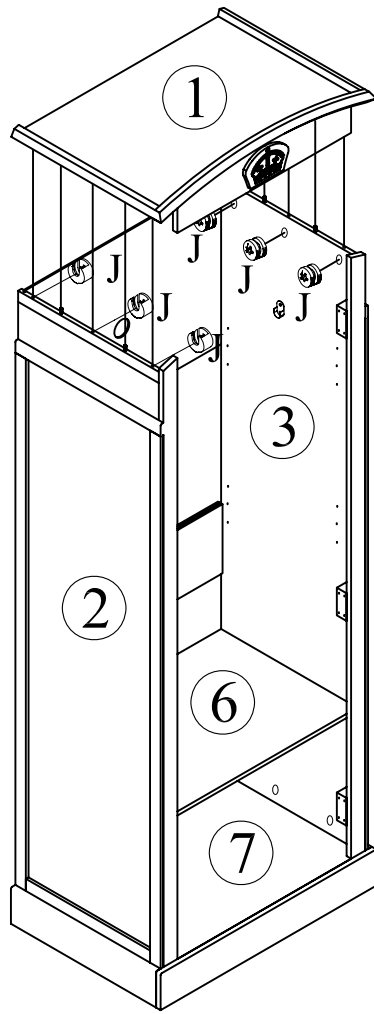
F x 7

6



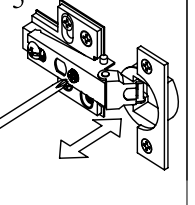
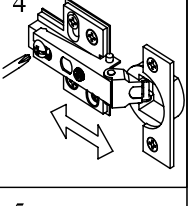
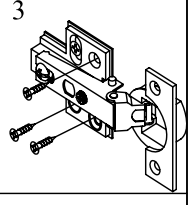
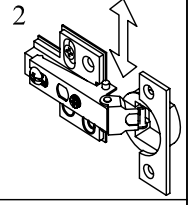
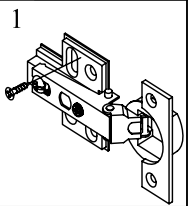
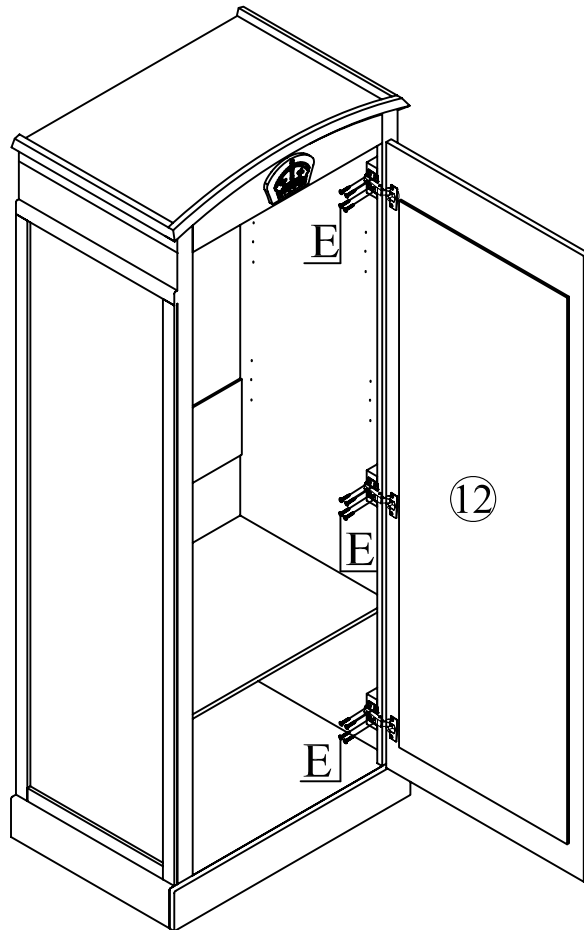
C x 4

7



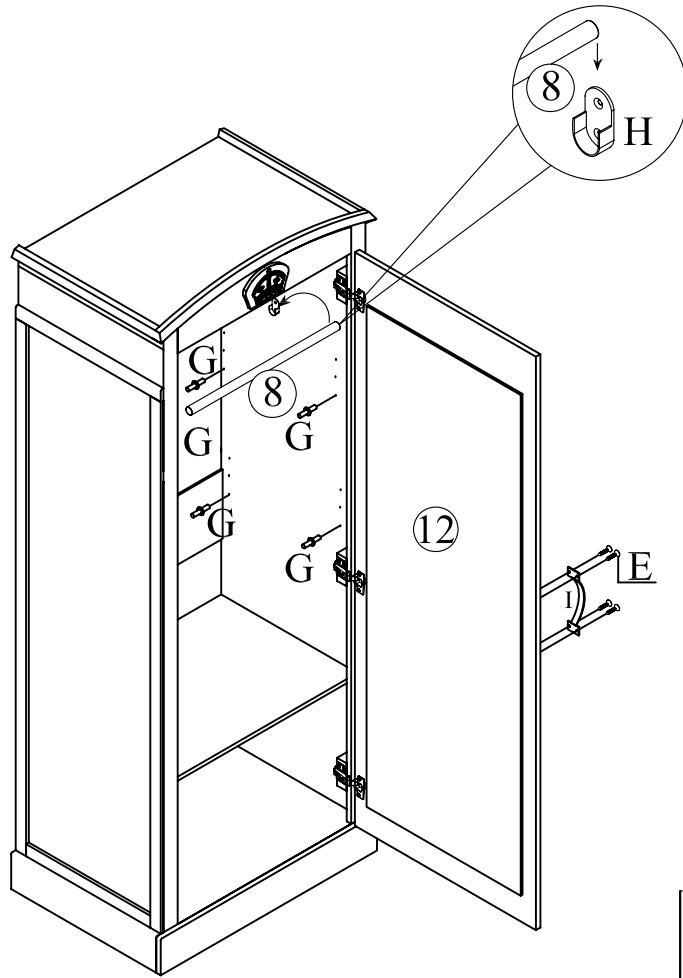
J x 6

8



E x 12

9




E x 4


I x 1


G x 8

10

