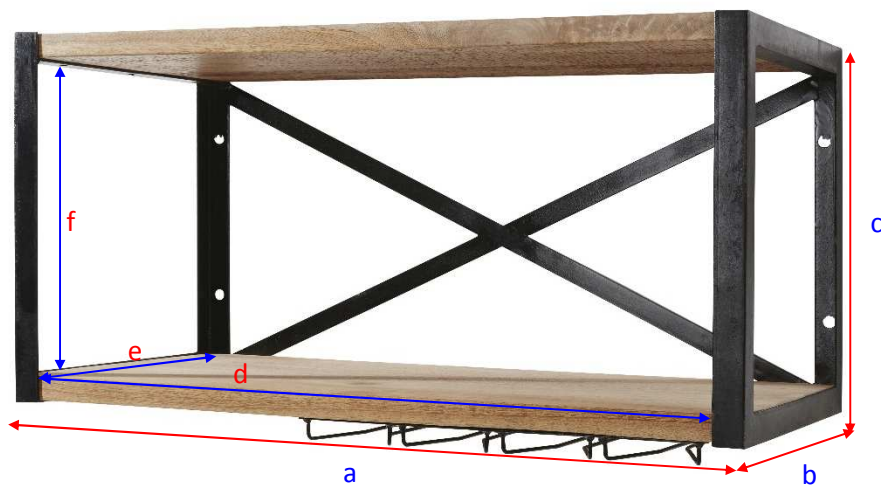
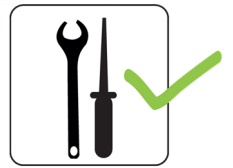


MELCHIOR

187584



a = 80 cm

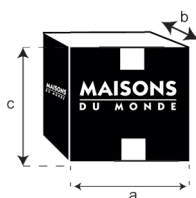
b = 40 cm

c = 42 cm

d = 79,5 cm

e = 39,5 cm

f = 34 cm



X 1

a = 92 cm

b = 51 cm

c = 51 cm

= 22 Kg