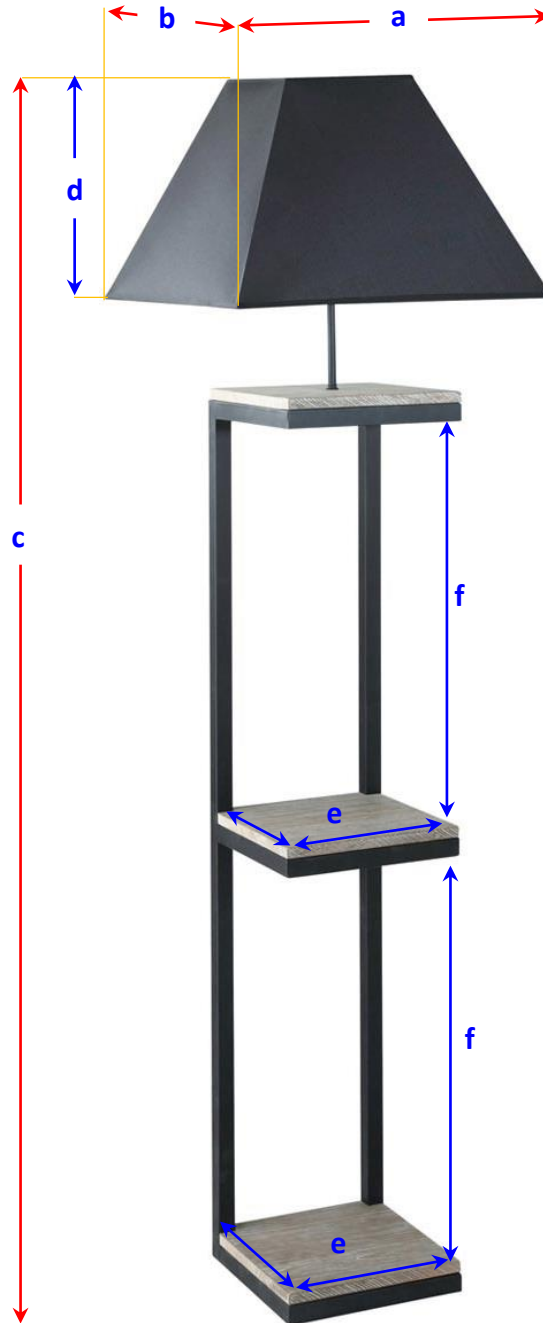
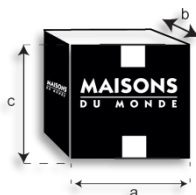


130487



a = 44 cm
b = 44 cm
c = 158 cm
d = 31 cm
e = 25 x 25 cm
f = 53 cm



X 1

a = 38 cm
b = 48 cm
c = 143 cm

= 8 Kg