
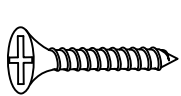
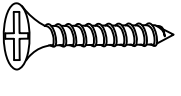
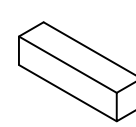
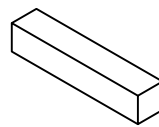
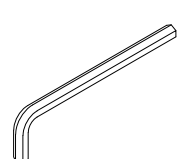
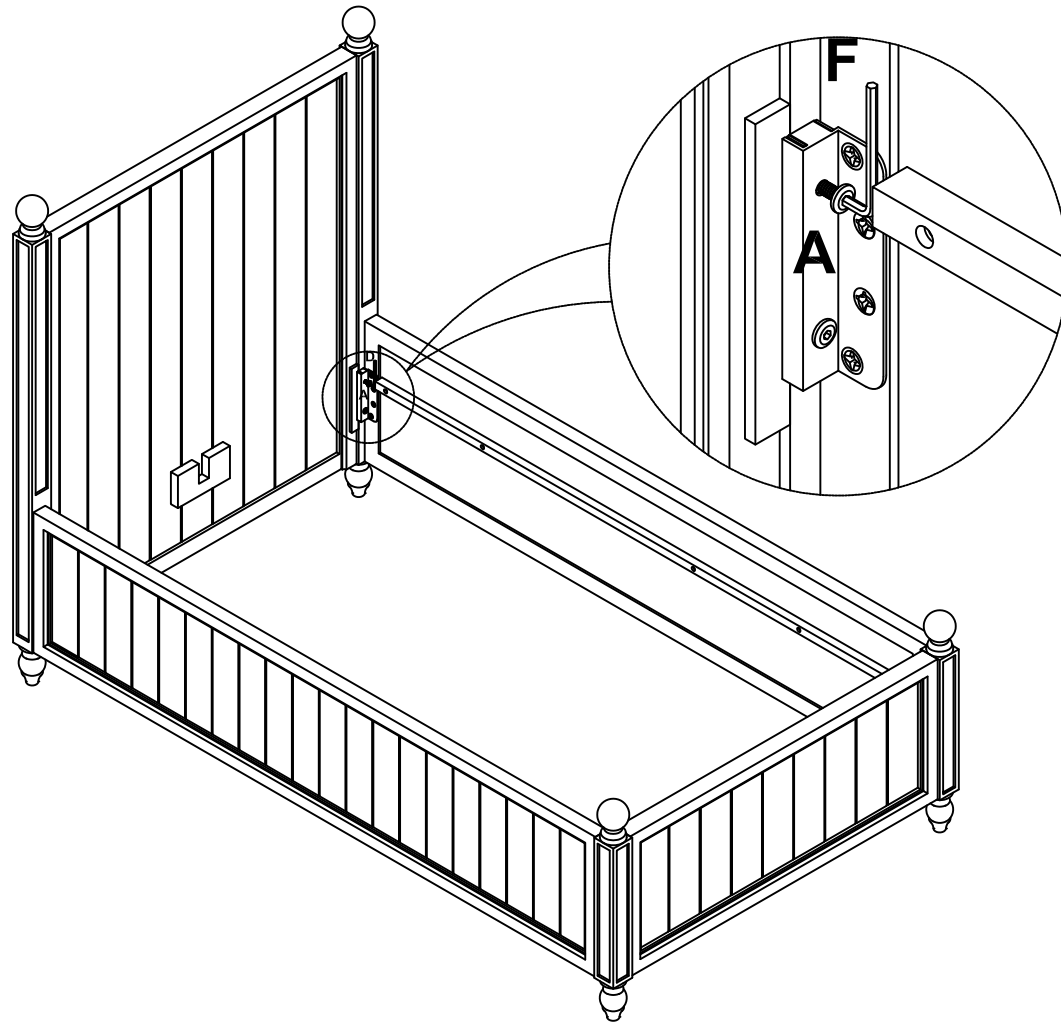
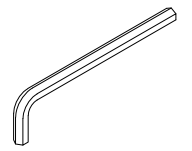


A $\text{\O}6 \times 10$  X8	B $M4 \times 40\text{mm}$  X2	C $M4 \times 35\text{mm}$  X24	D $113 \times 20 \times 20 \text{ mm}$  X2	E $136 \times 20 \times 20 \text{ mm}$  X2	F $M4 \times 13$  X1
--	---	---	--	--	--

1



F M4x13



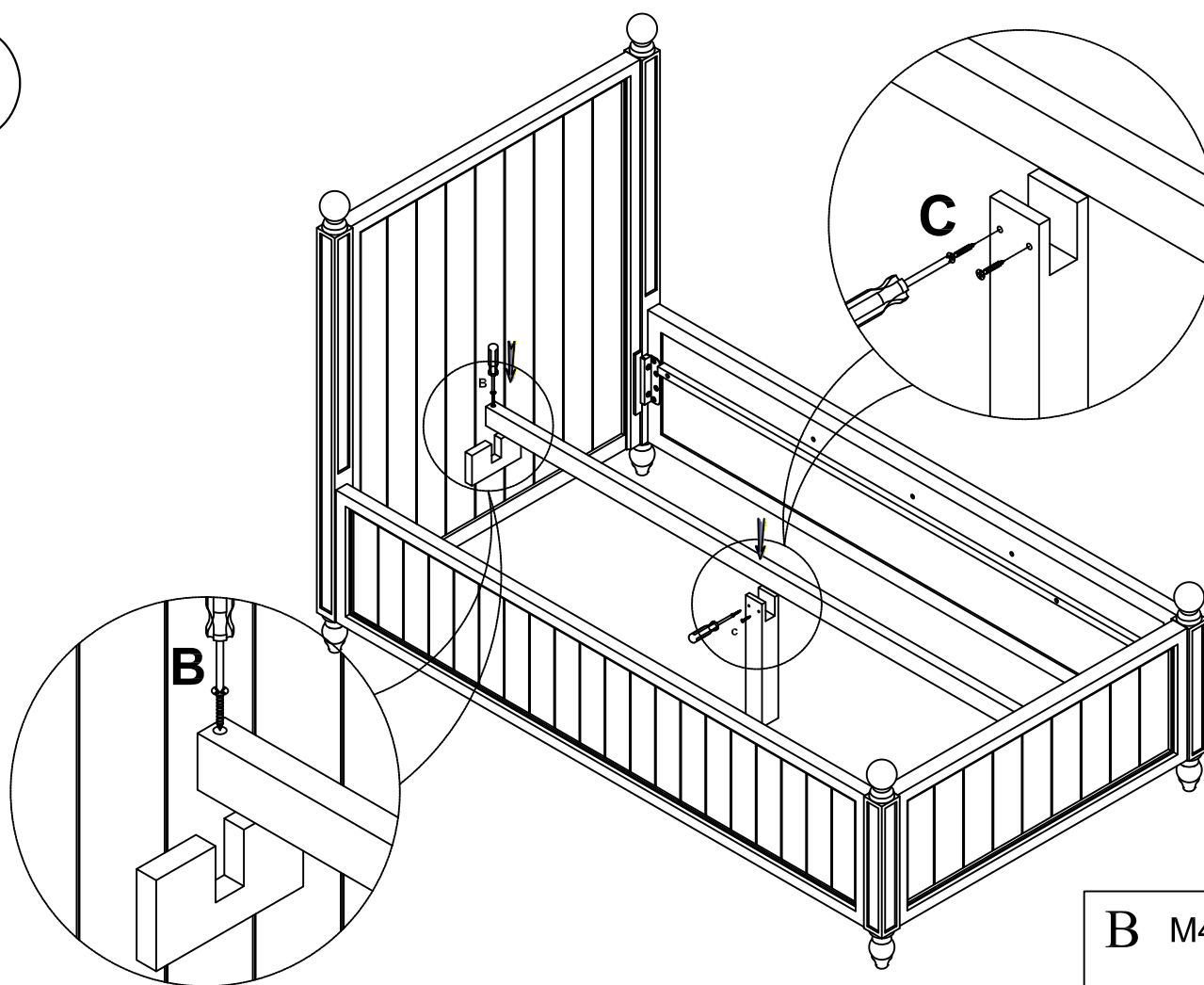
X1

A Ø6 x 10

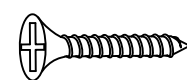


X8

2

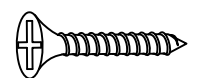


B M4 x 40mm



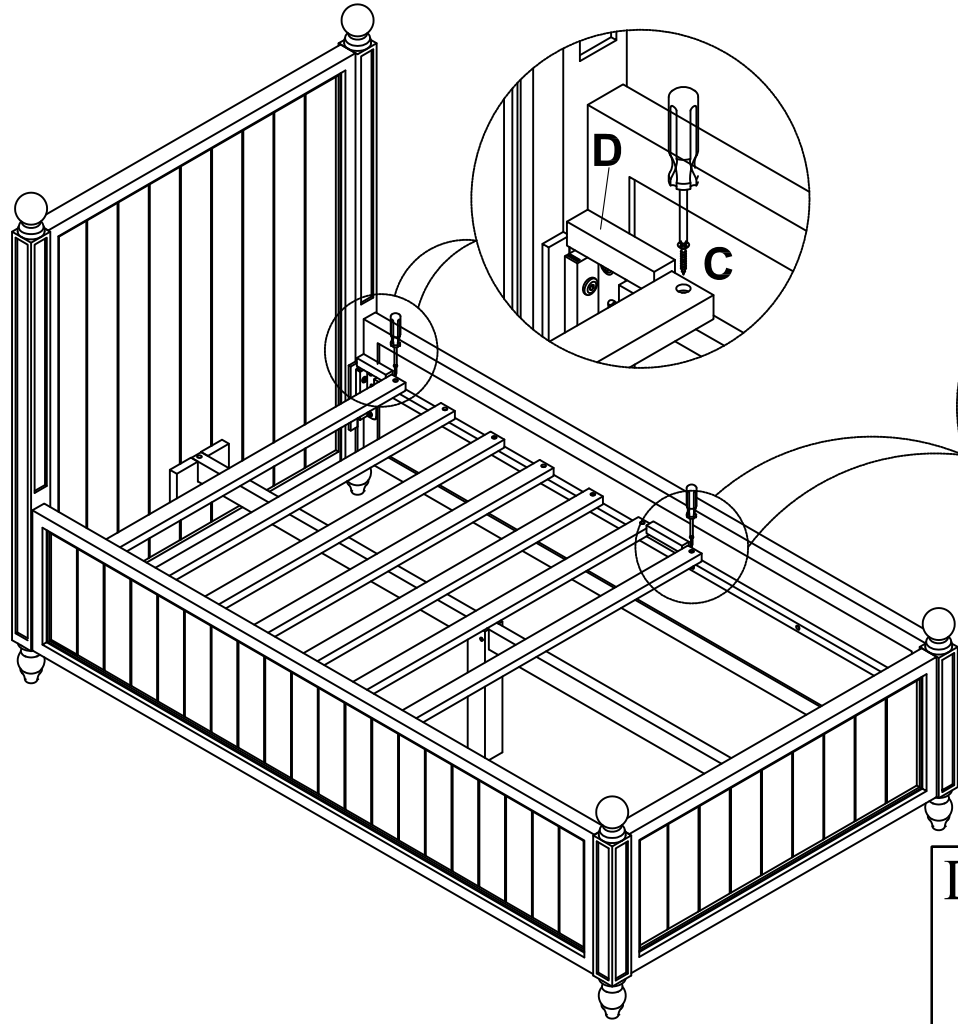
X2

C M4 x 35mm

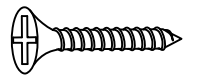


X2

3

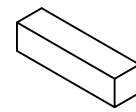


C M4 x 35mm



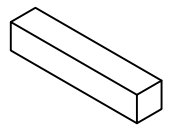
X22

D 113x20x20 mm



X2

E 136x20x20 mm



X2

4

