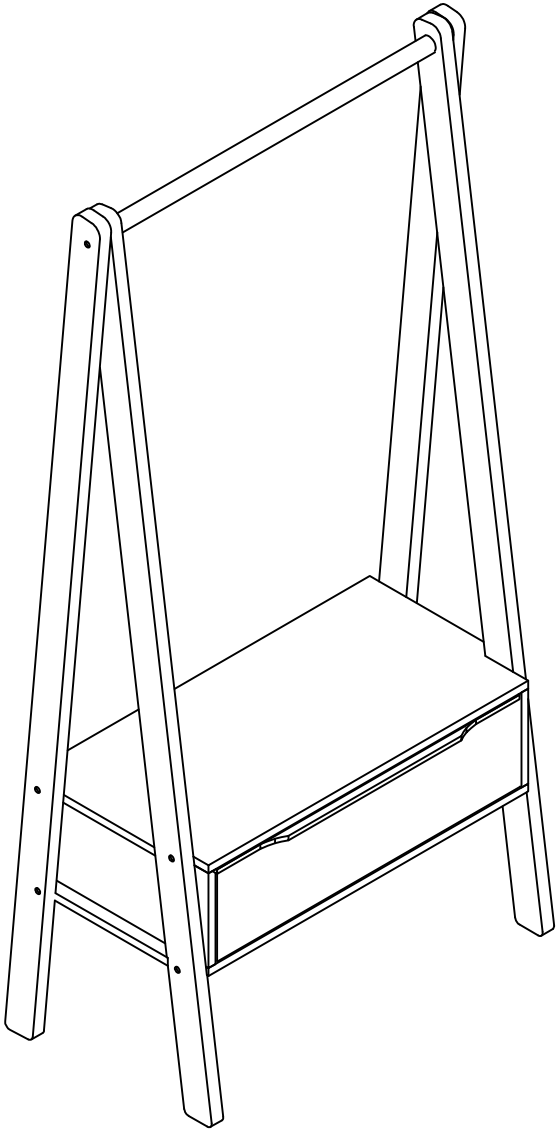

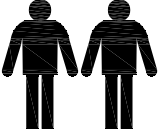


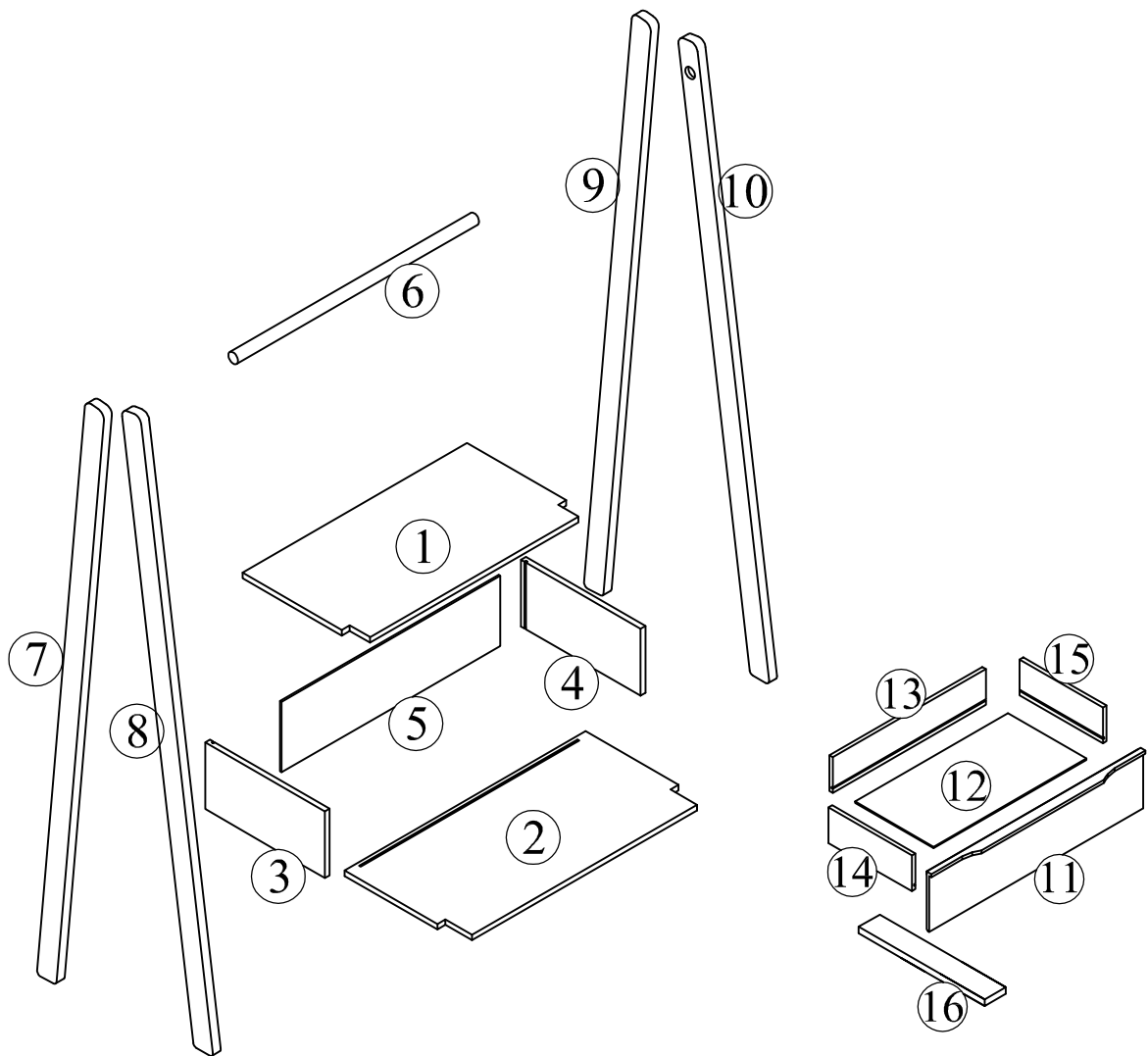
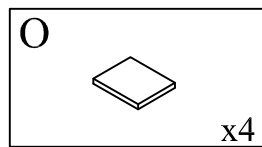
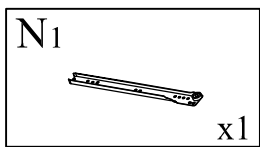
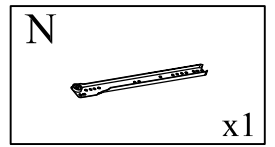
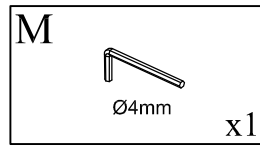
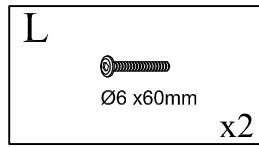
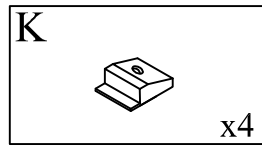
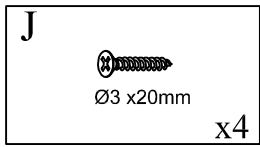
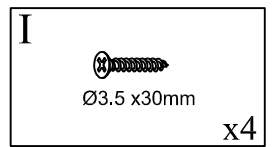
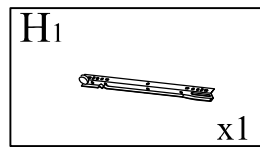
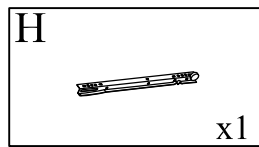
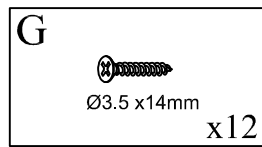
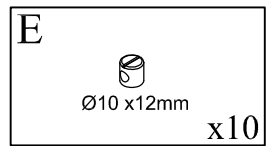
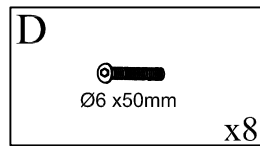
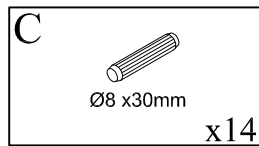
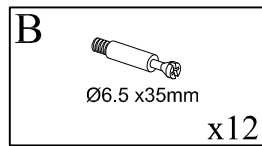
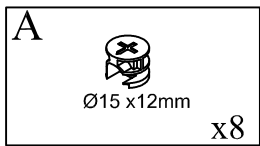


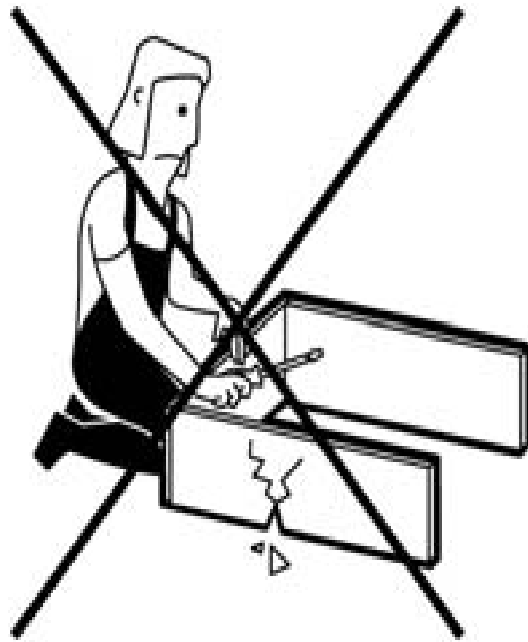
# BUCOLIQUE

181 042

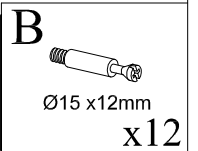
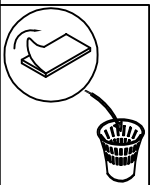
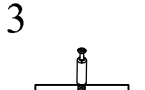
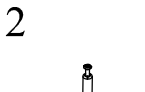
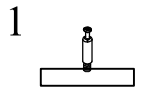
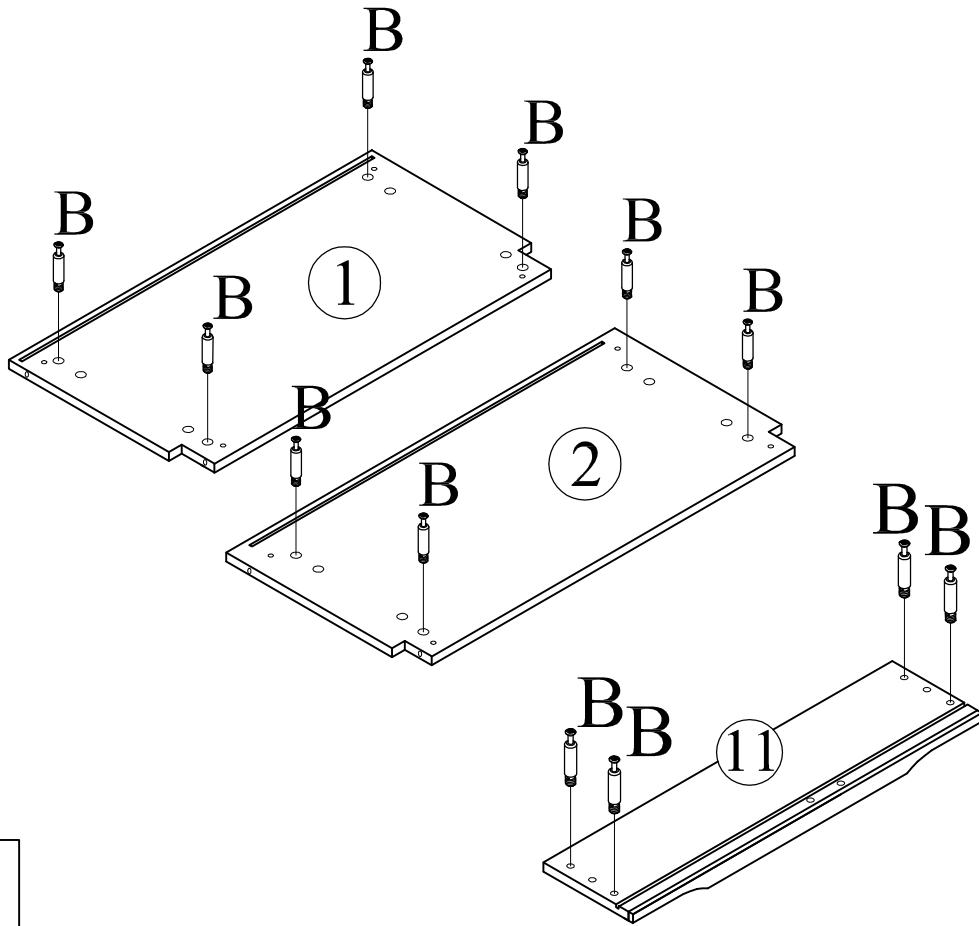


 <p>60MIN</p>		 
--	---	--

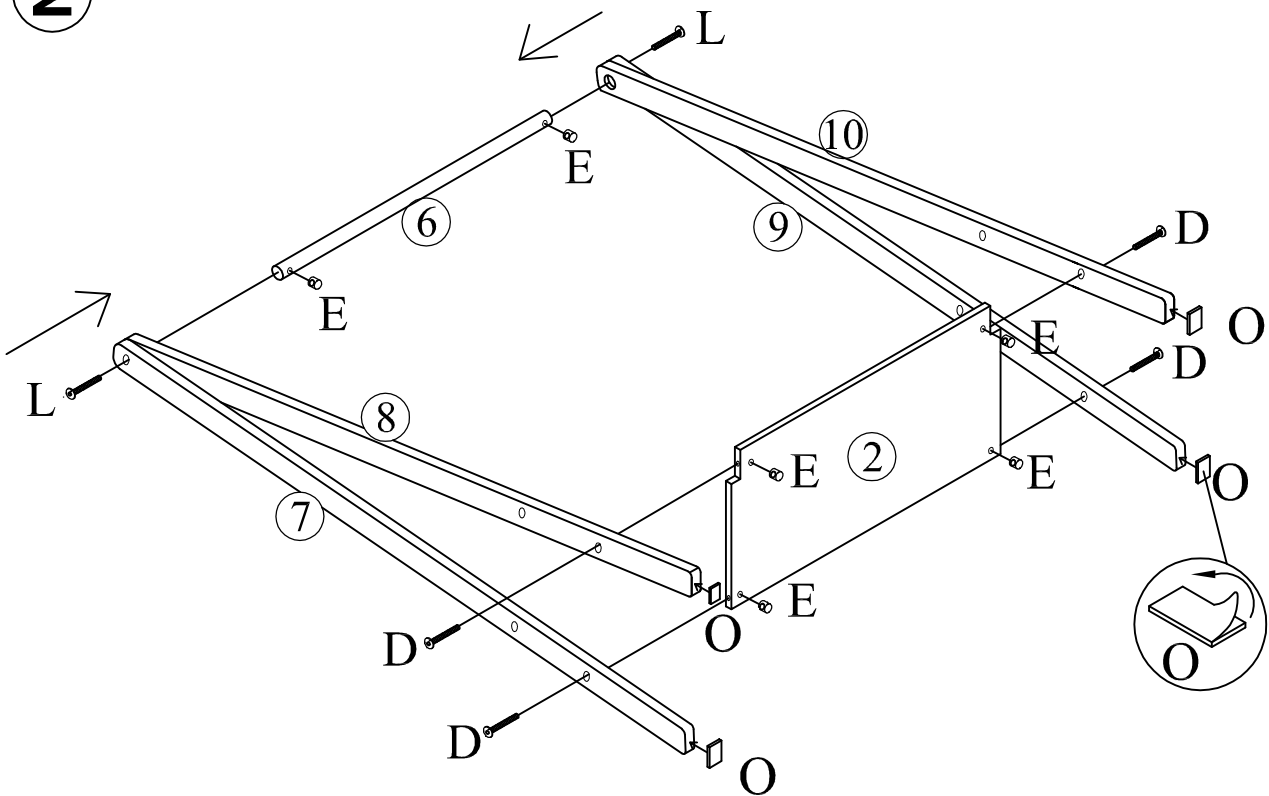









1

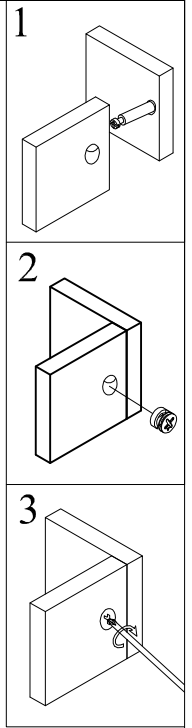
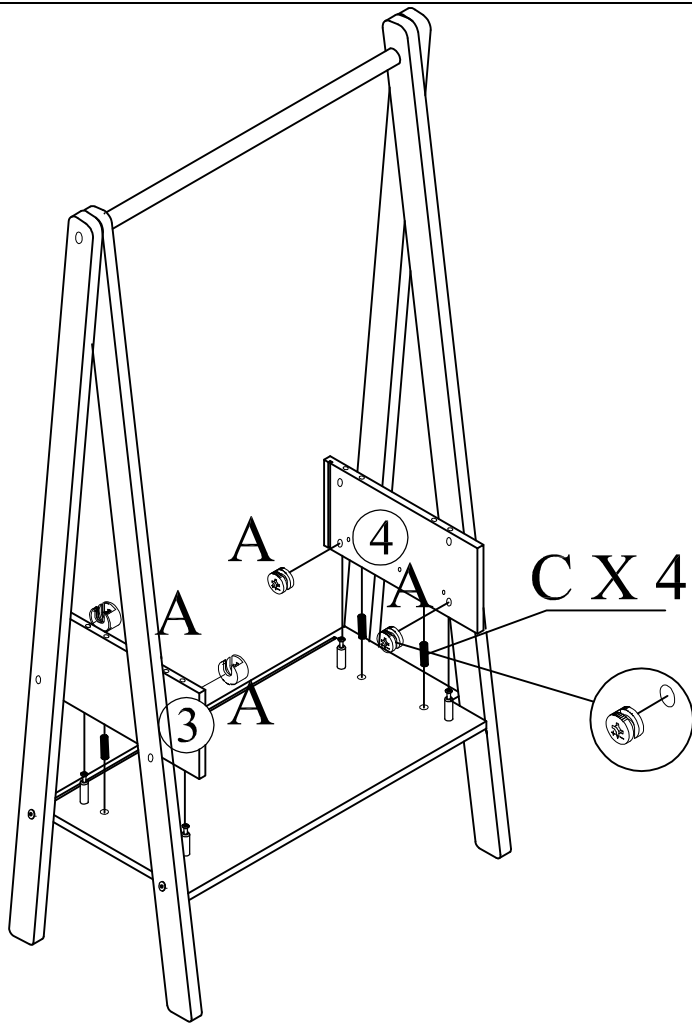


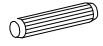

2



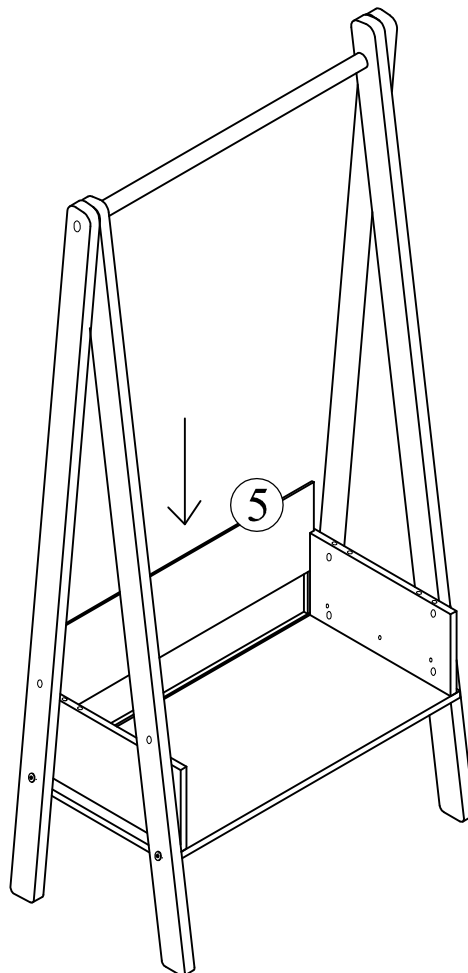
<p>L</p>  <p>Ø6X60mm x2</p>	<p>E</p>  <p>Ø10X12mm x6</p>	<p>O</p>  <p>x4</p>	<p>D</p>  <p>Ø6X50mm x4</p>	<p>M</p>  <p>x1</p>
--	---	---	--	--

3

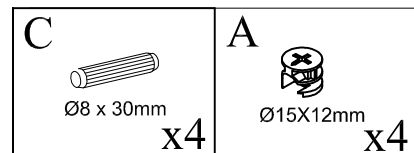
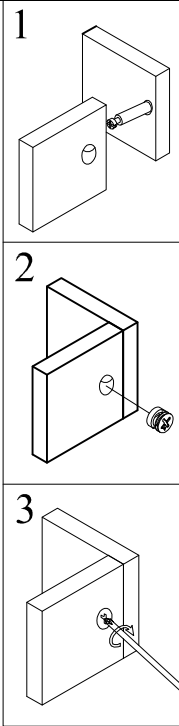
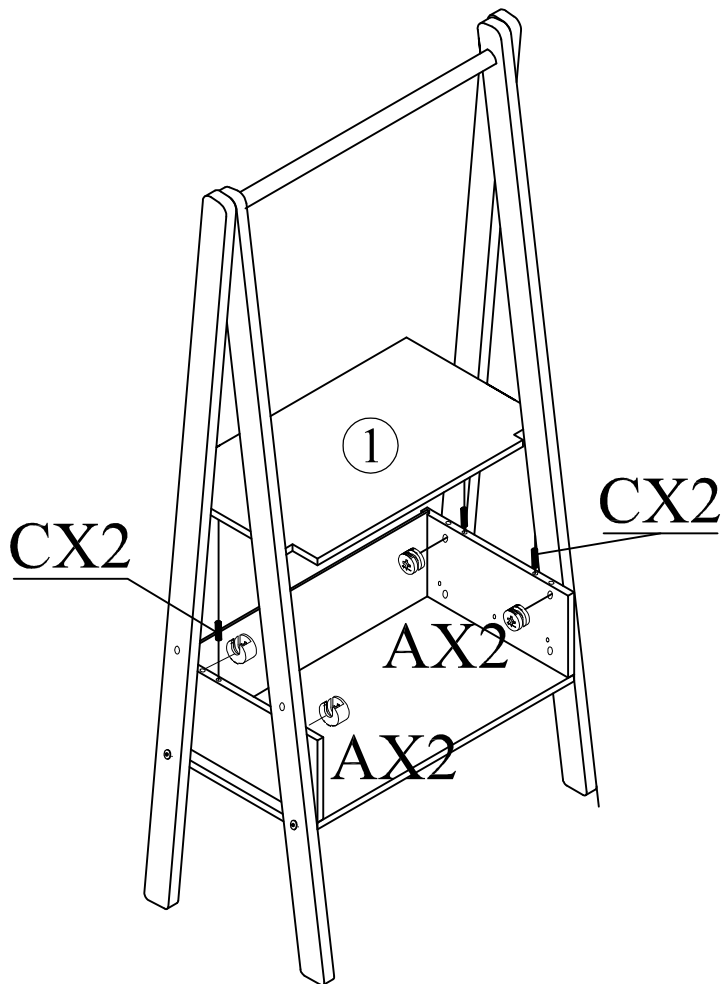


<p>C</p>  <p>Ø8 x 30mm x4</p>	<p>A</p>  <p>Ø15X12mm x4</p>
---	--

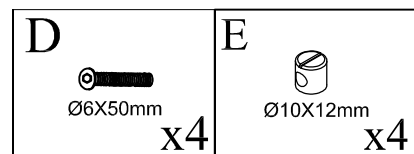
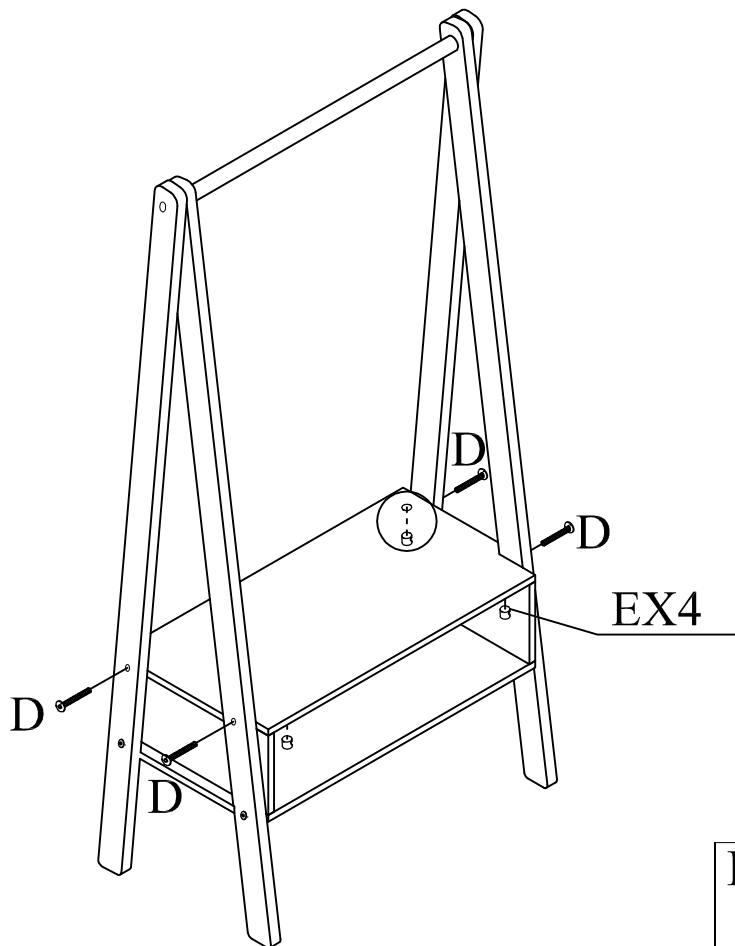
4

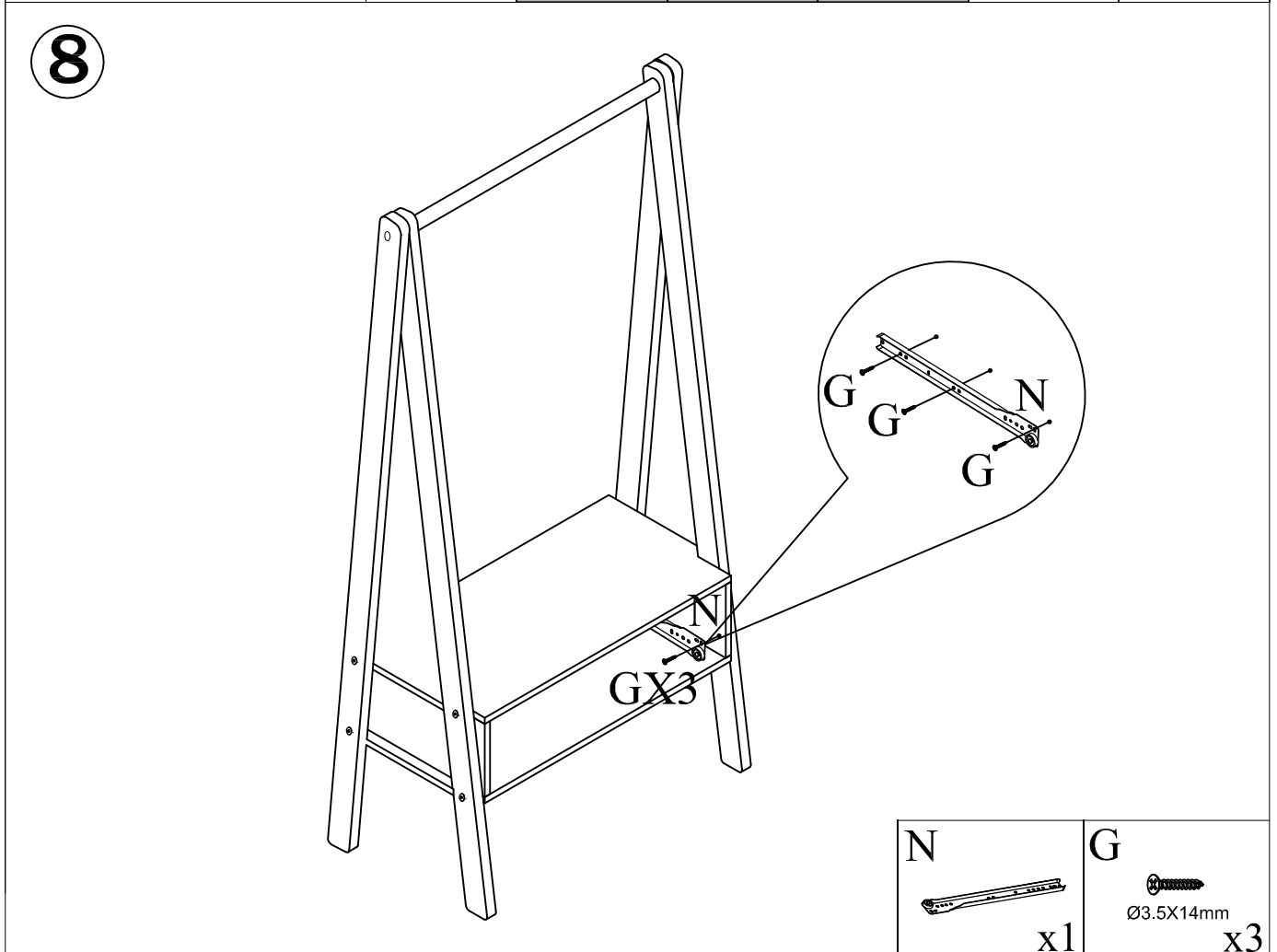
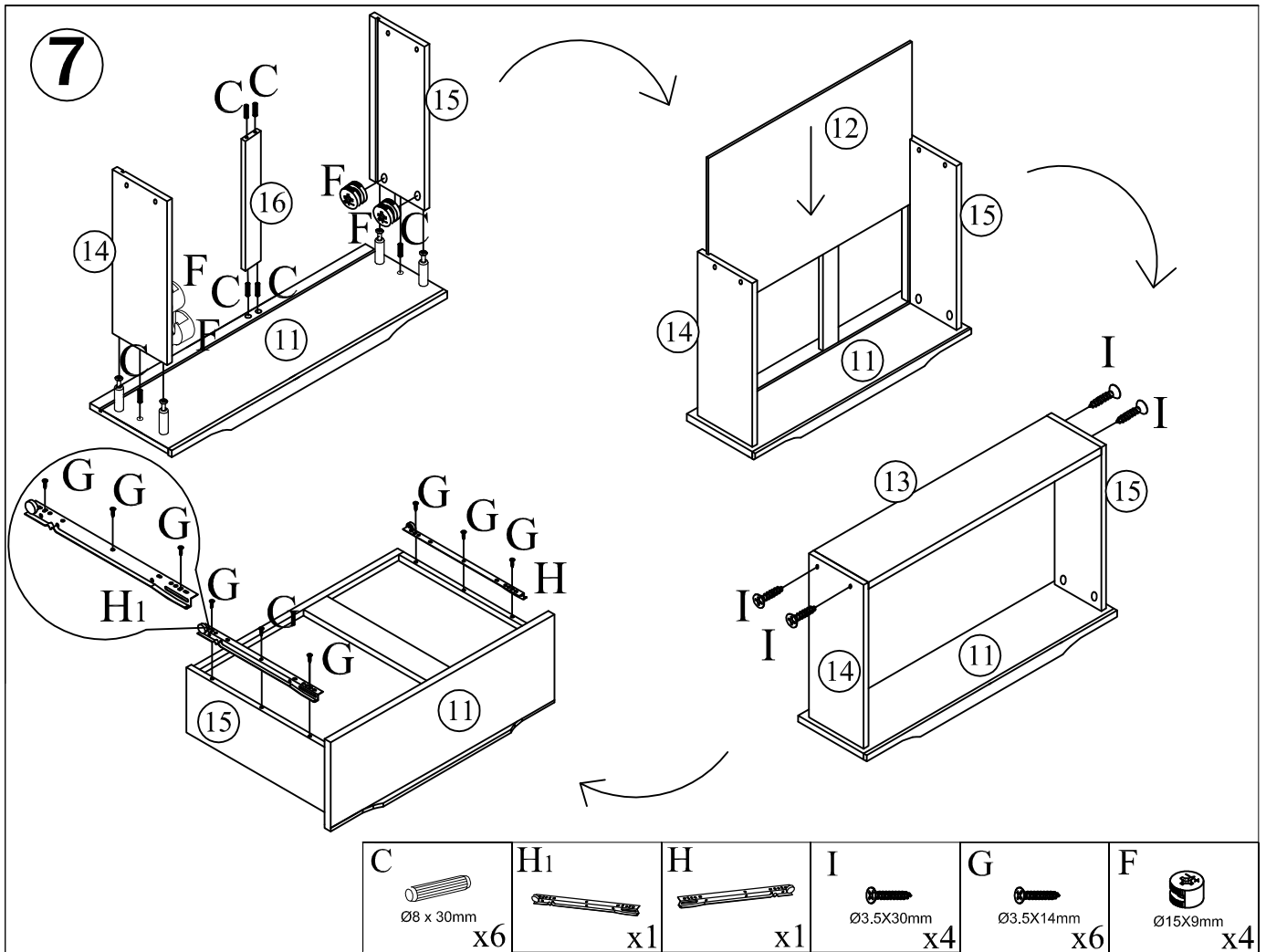


5

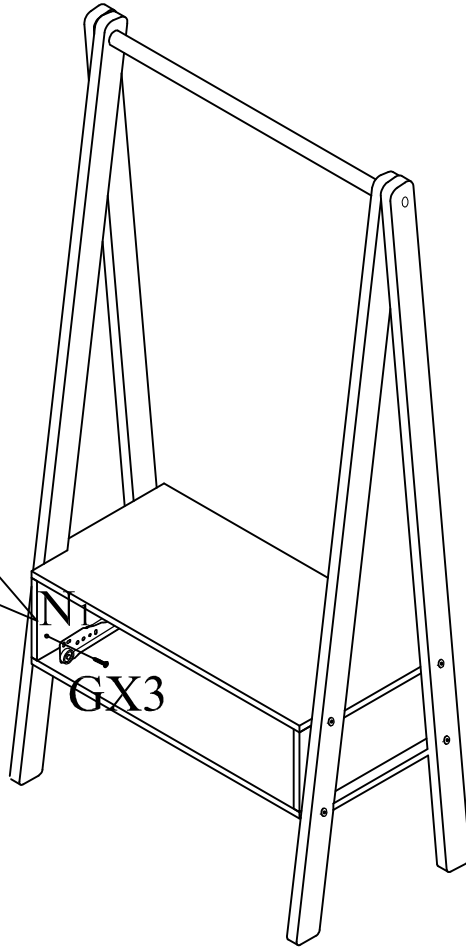
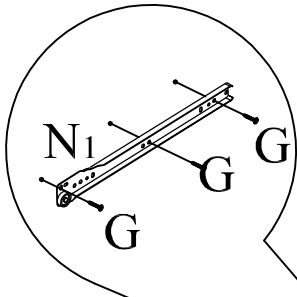




6



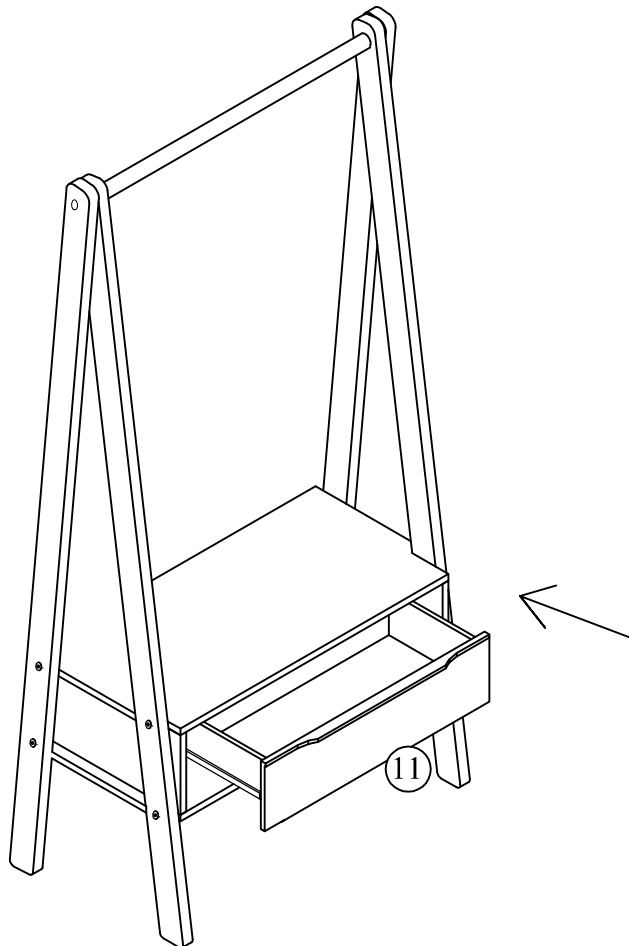


9



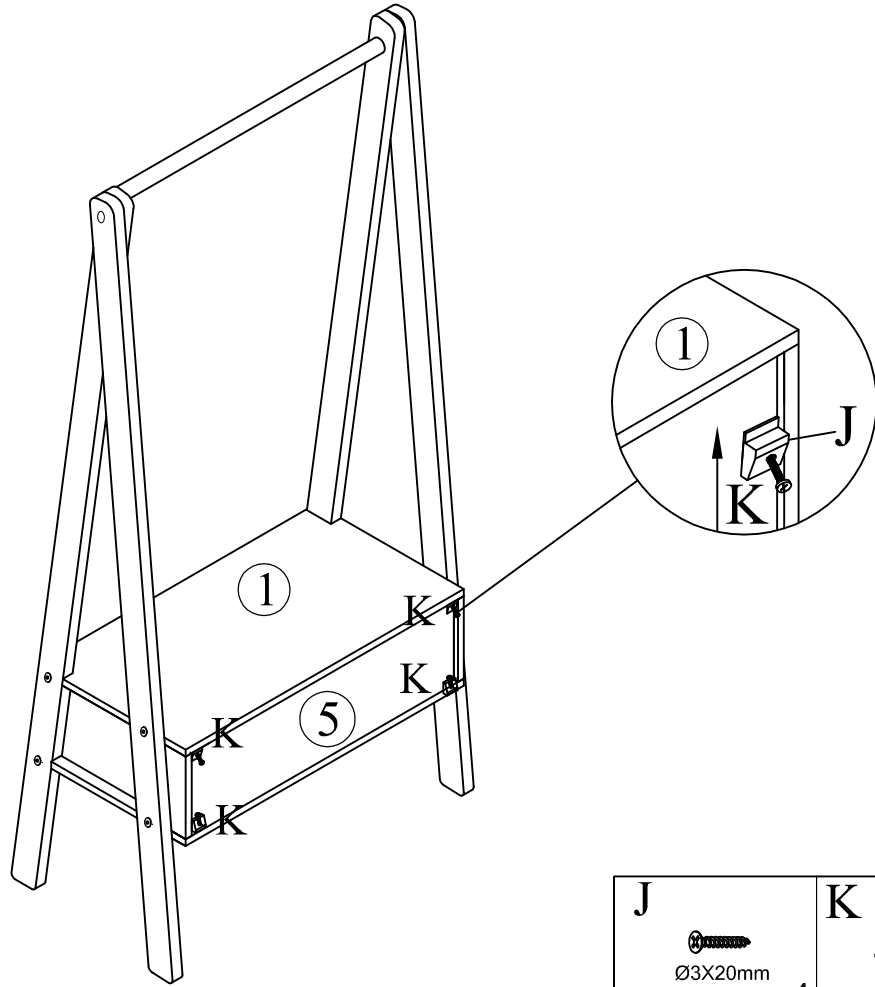
<p>N1</p>  <p>x1</p>	<p>G</p>  <p>Ø3.5X14mm</p> <p>x3</p>
---	---



10





11



<b>J</b>  Ø3X20mm x4	<b>K</b>  x4
--	---

12

