
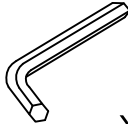


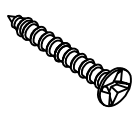

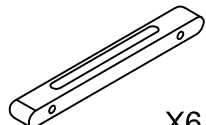



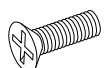
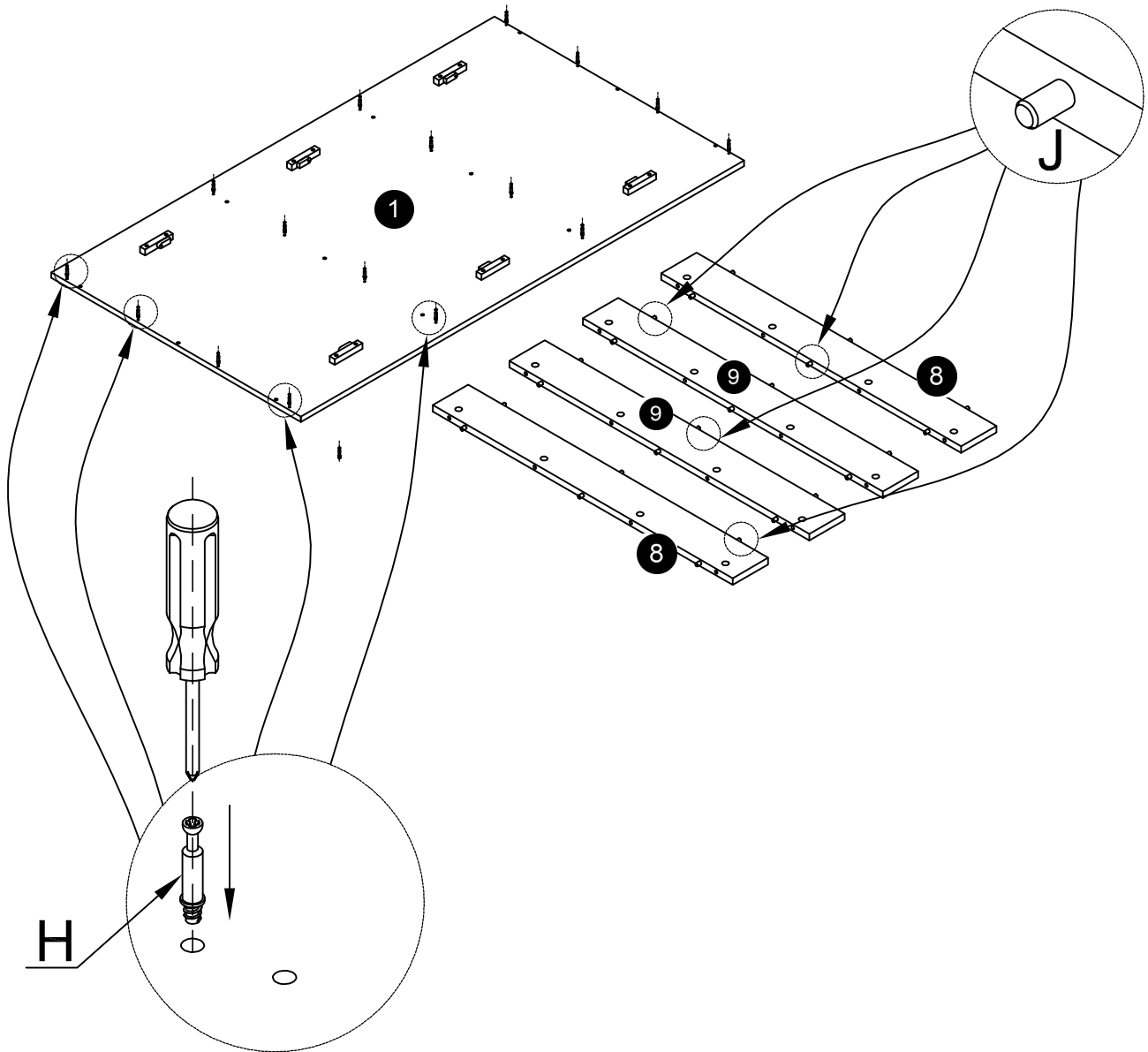




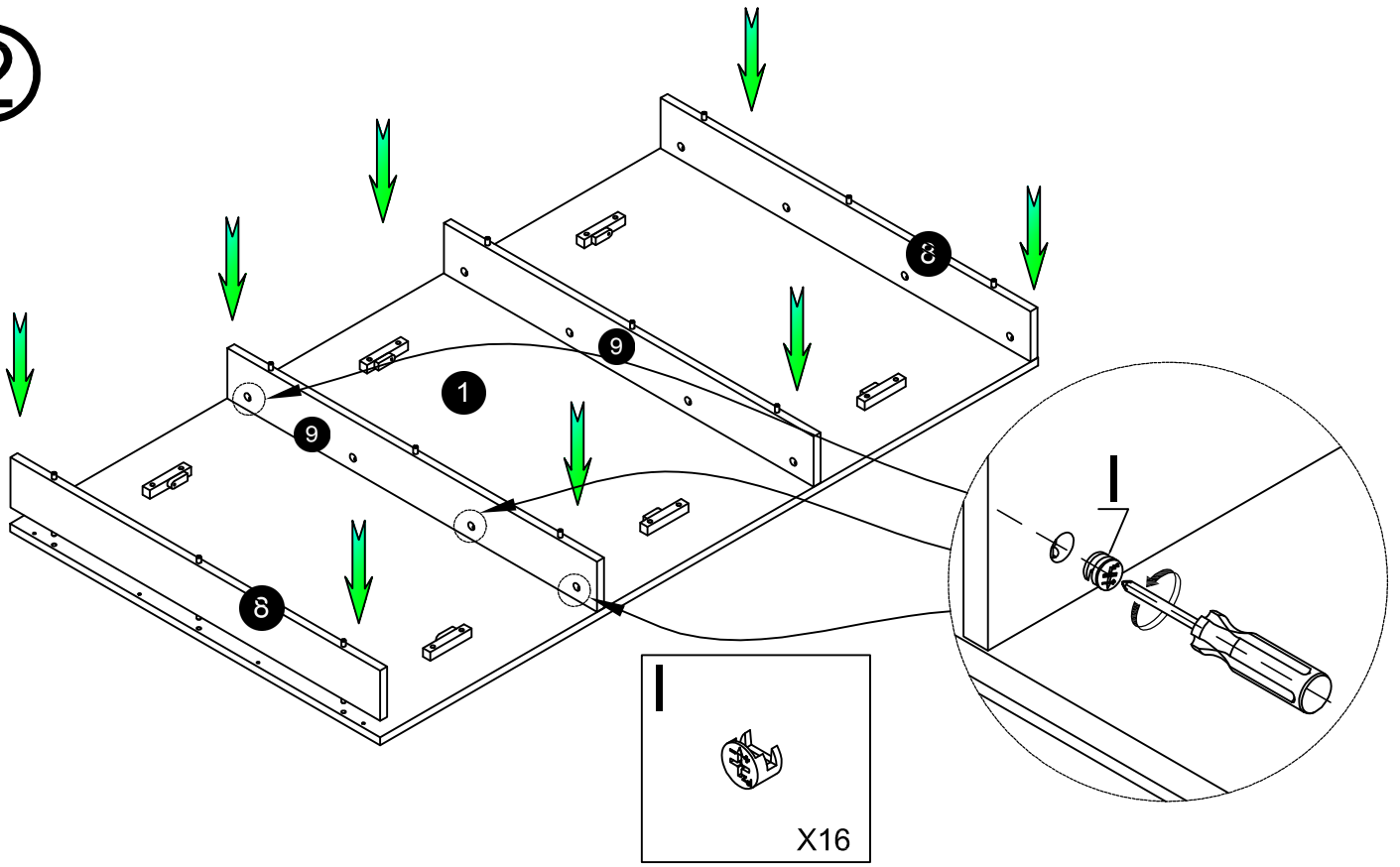
A Ø6*55mm  X8	B key 4  X1	C M4*15mm  X2	D M4*30mm  X12	E M4*60mm  X18	
F M3.5*35mm  X20	G M4*35mm  X6	H  X16	I  X16	J Ø7.7x25  X24	K M4*15mm  X1

1

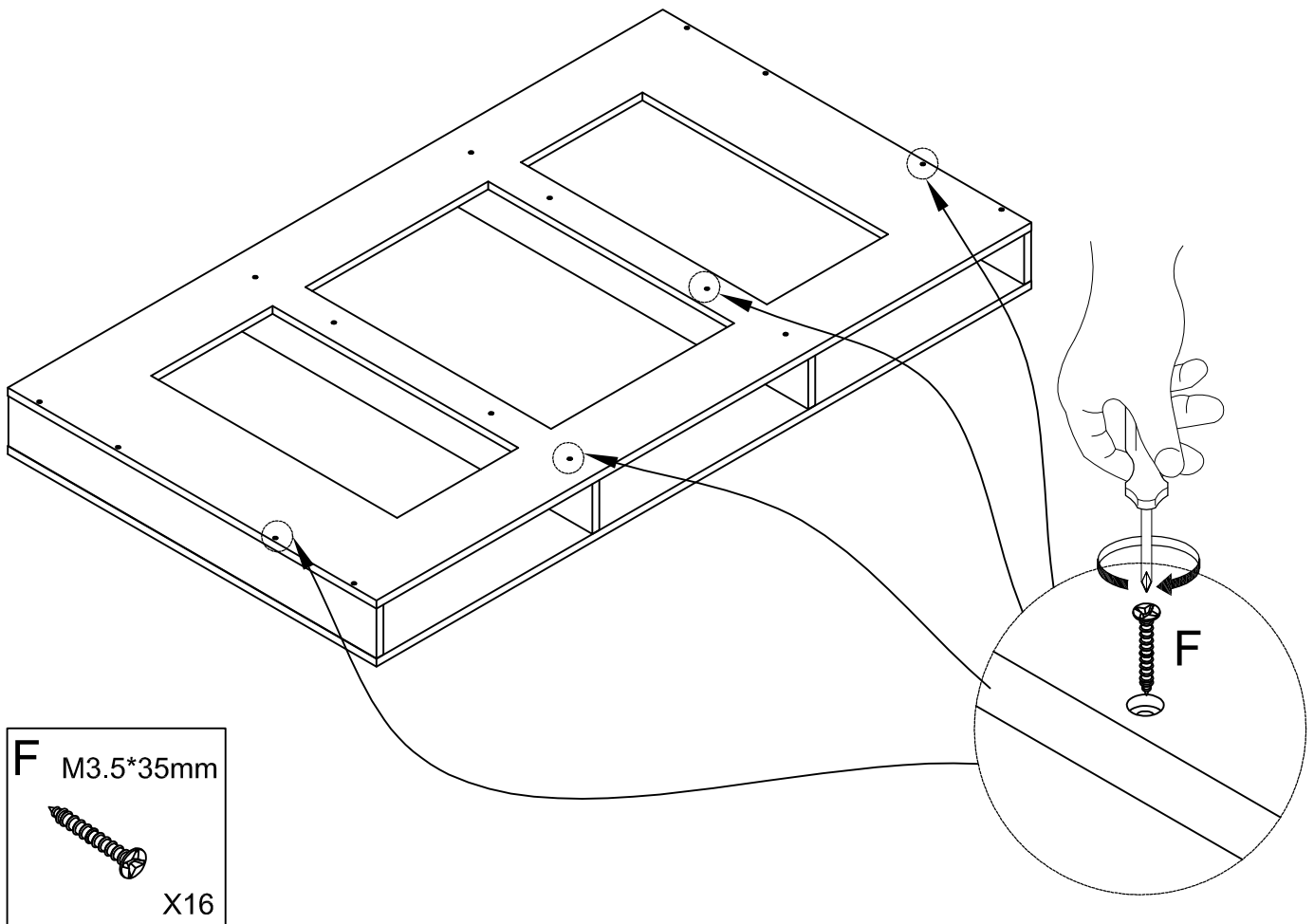


H  X16	J Ø7.7x25  X24
--	--

2

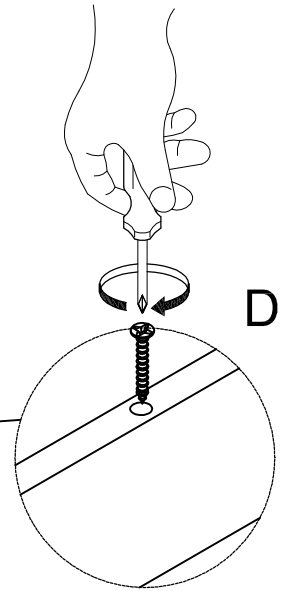
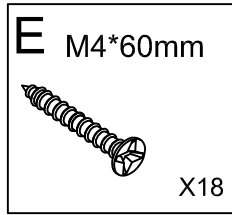
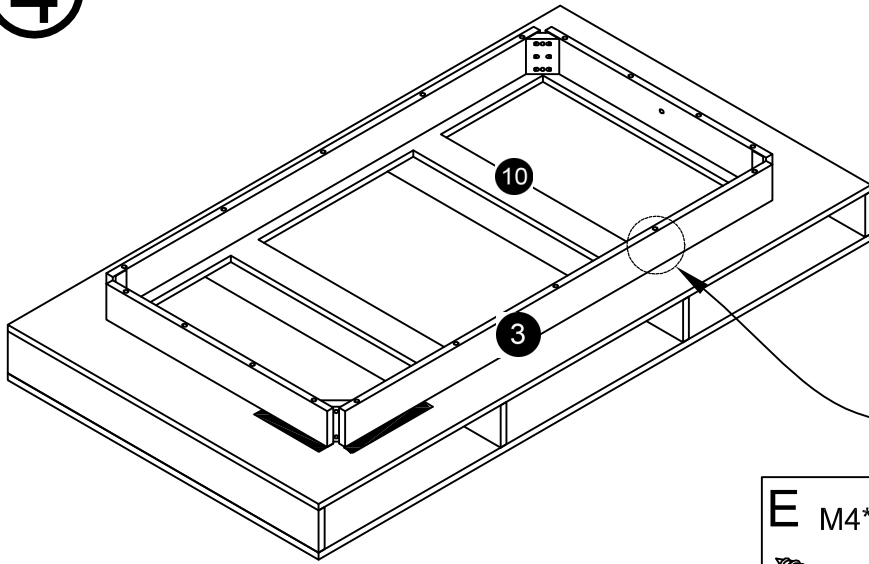


3

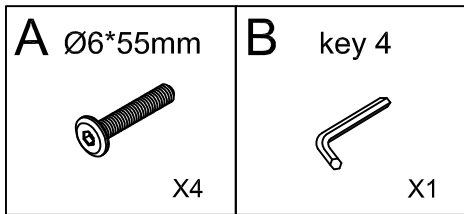
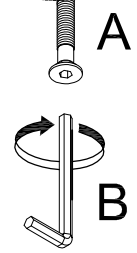
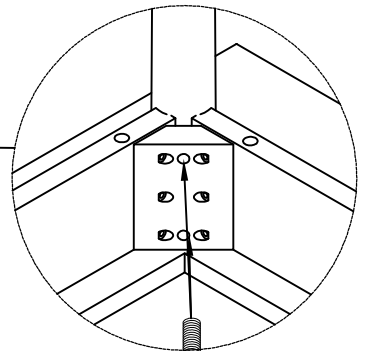
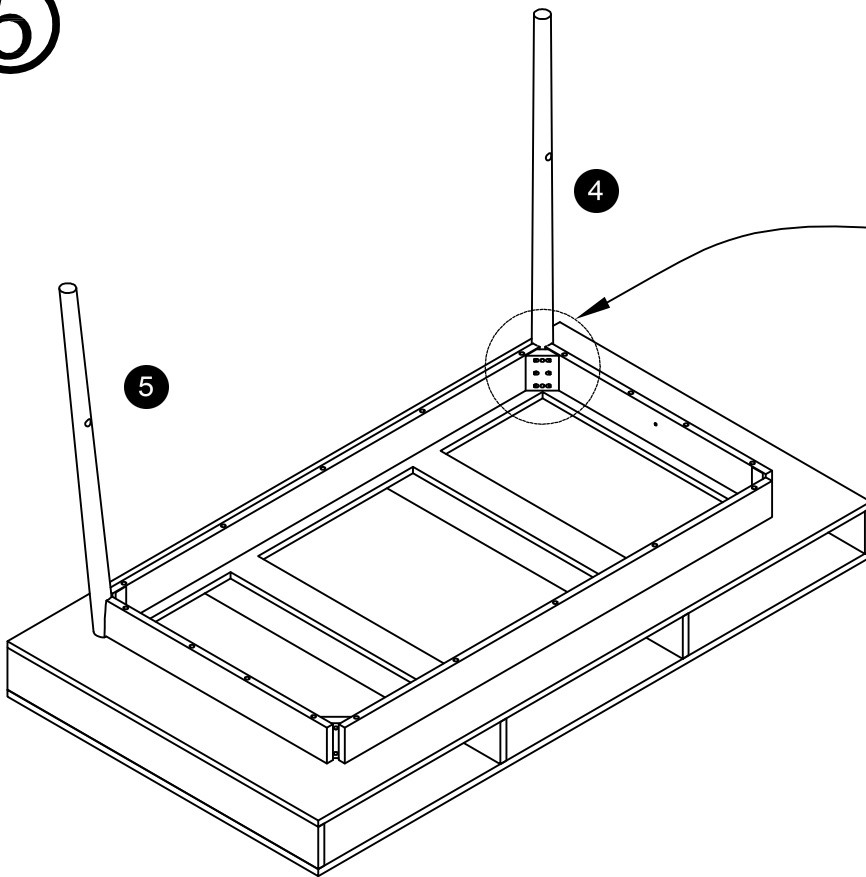


F M3.5*35mm
X16

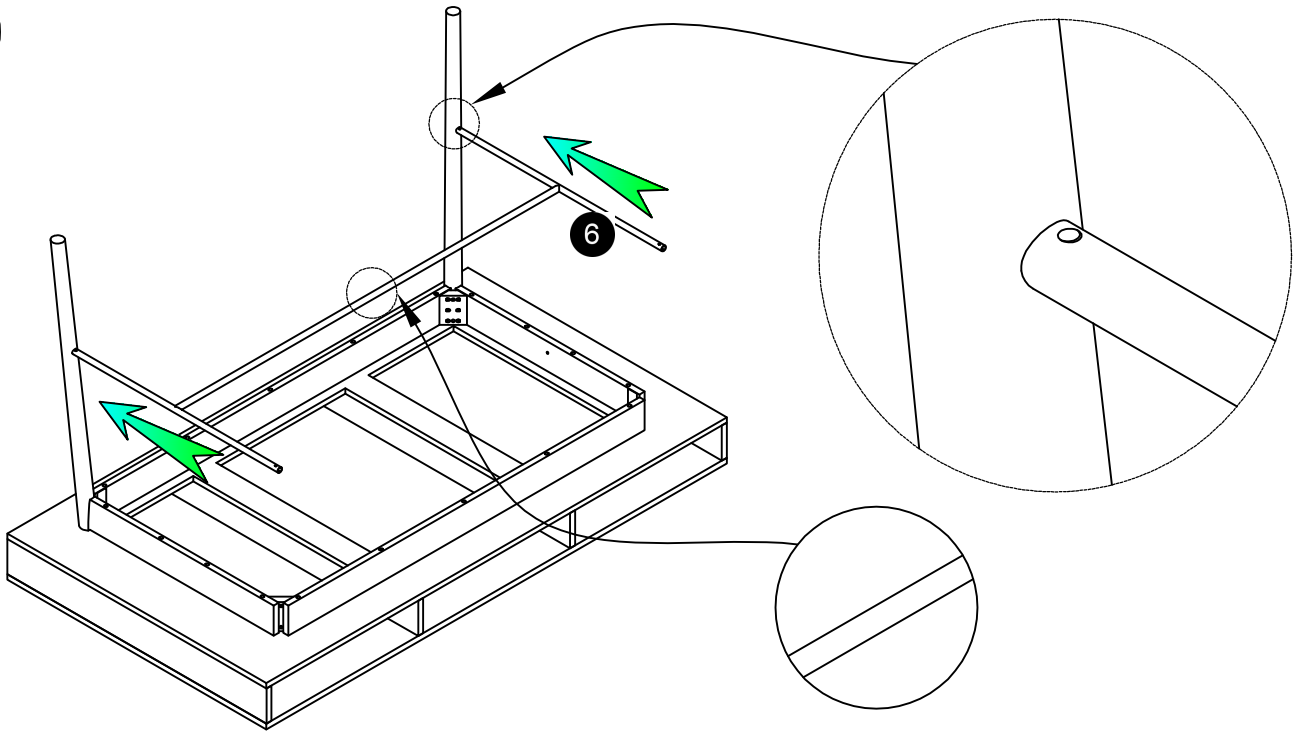
④



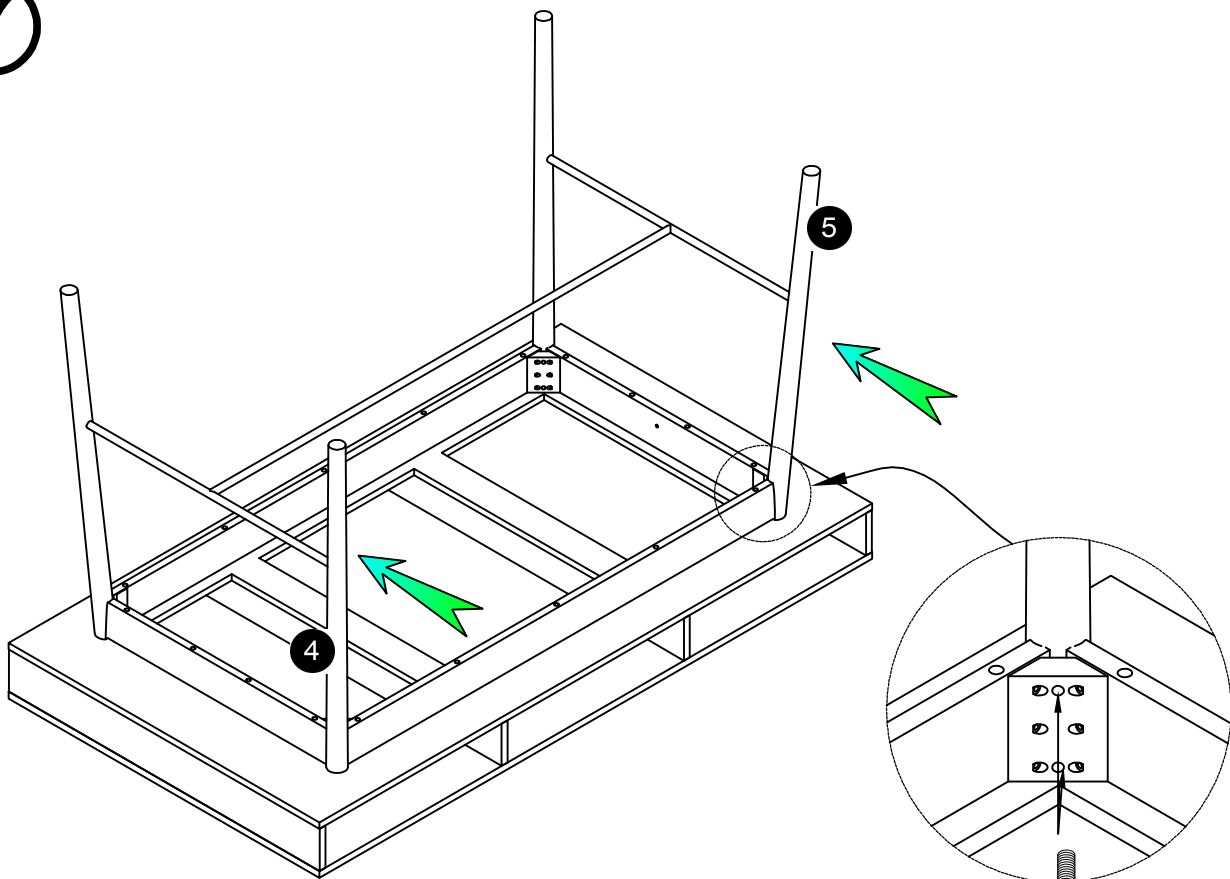
⑤



⑥



⑦

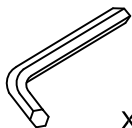


A Ø6*55mm



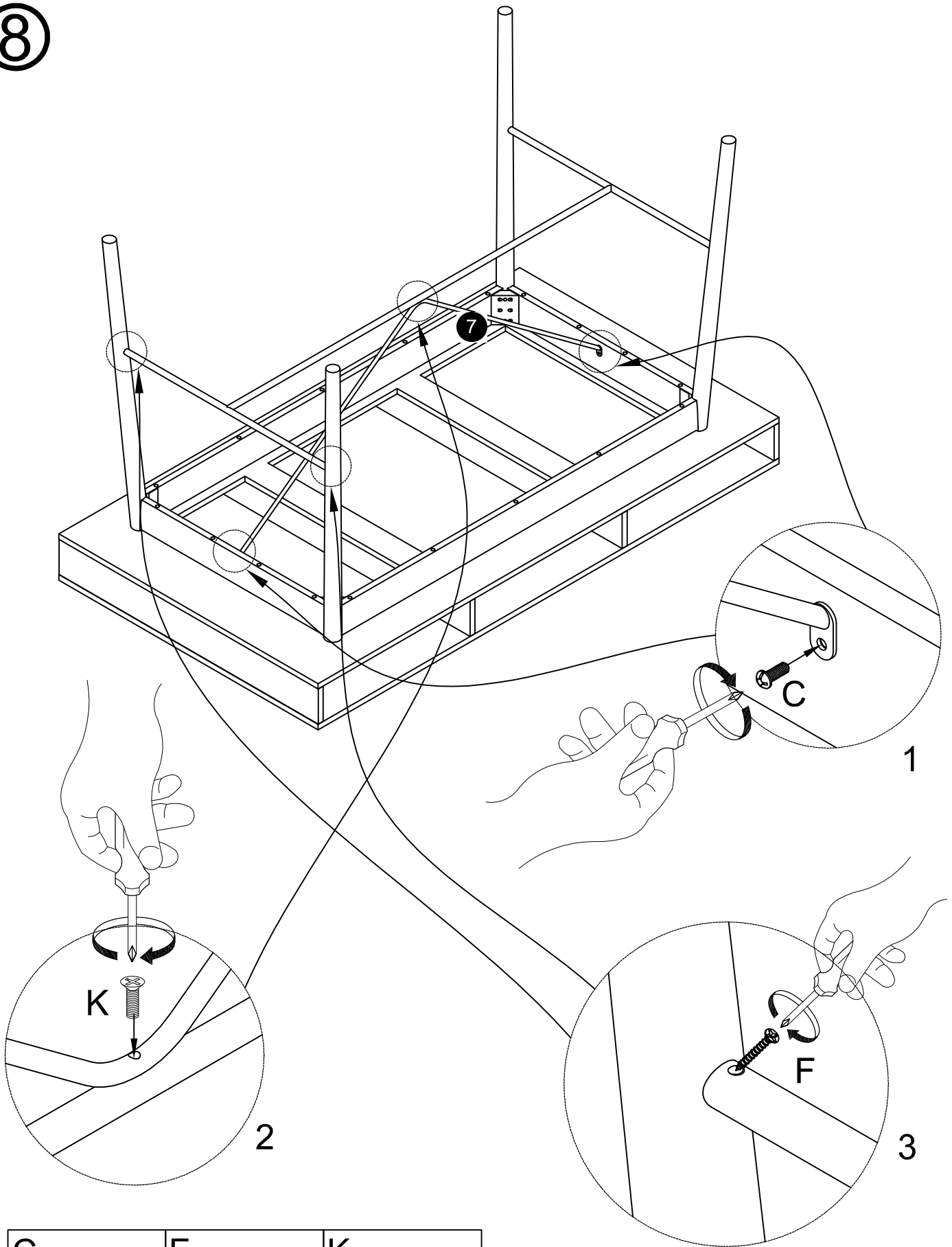
X4



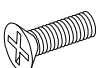
B key 4



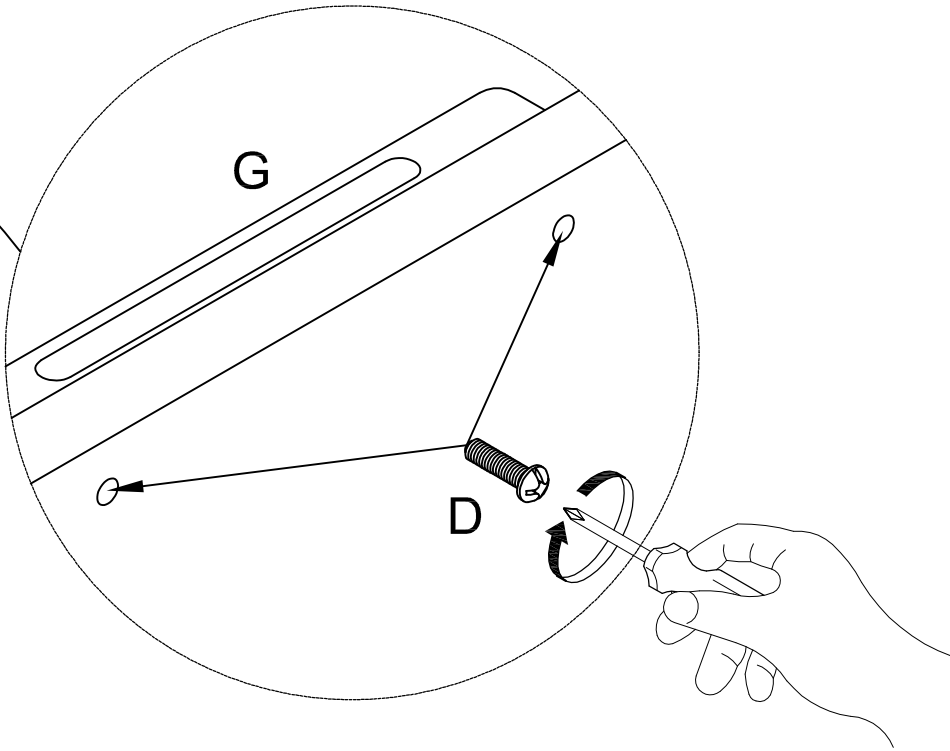
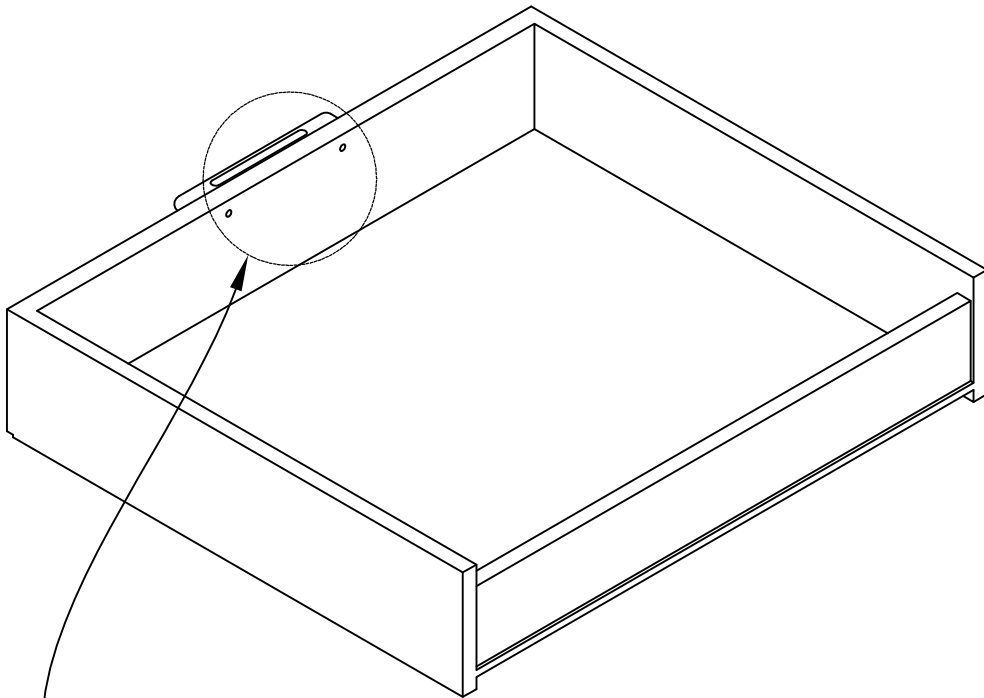
X1


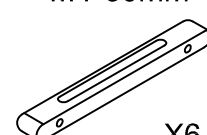
8



C M4*15mm  X2	F M3.5*35mm  X4	K M4*15mm  X1
---	---	---

9



D M4*30mm  X12	G M4*35mm  X6
--	---

10

