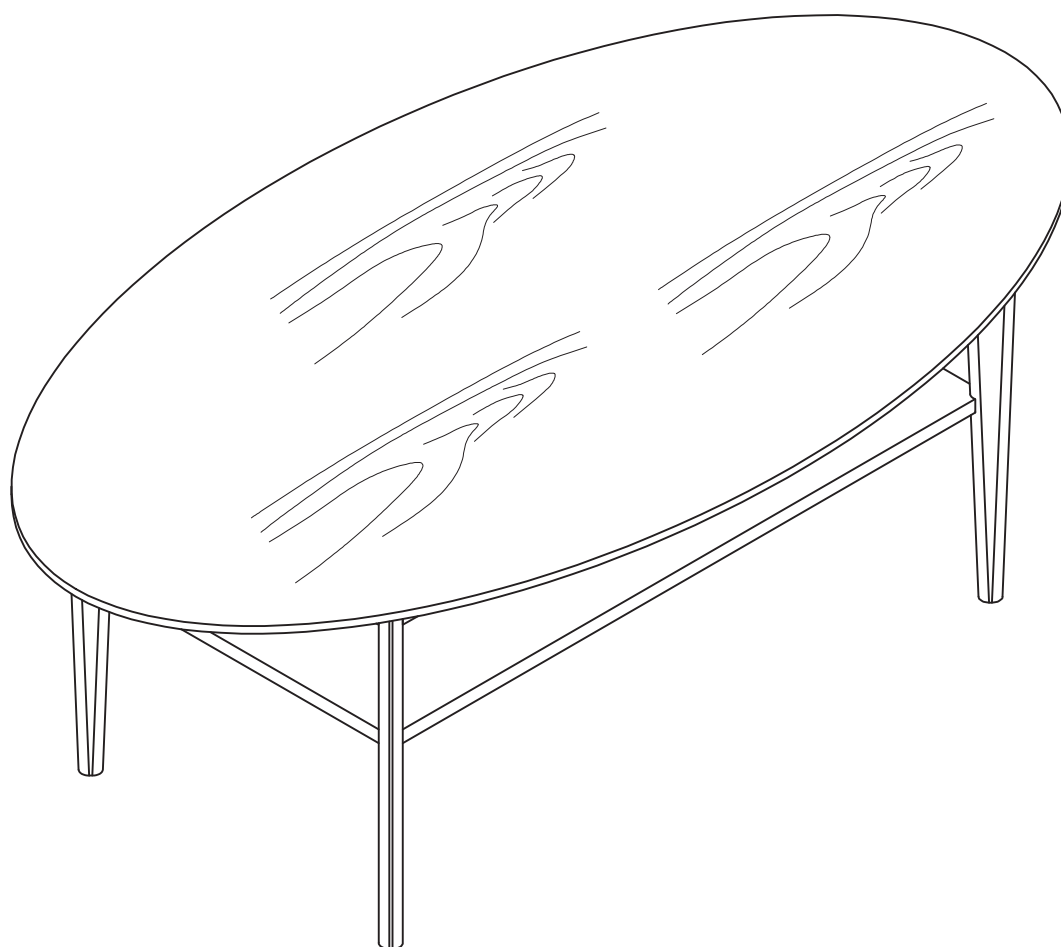

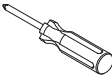


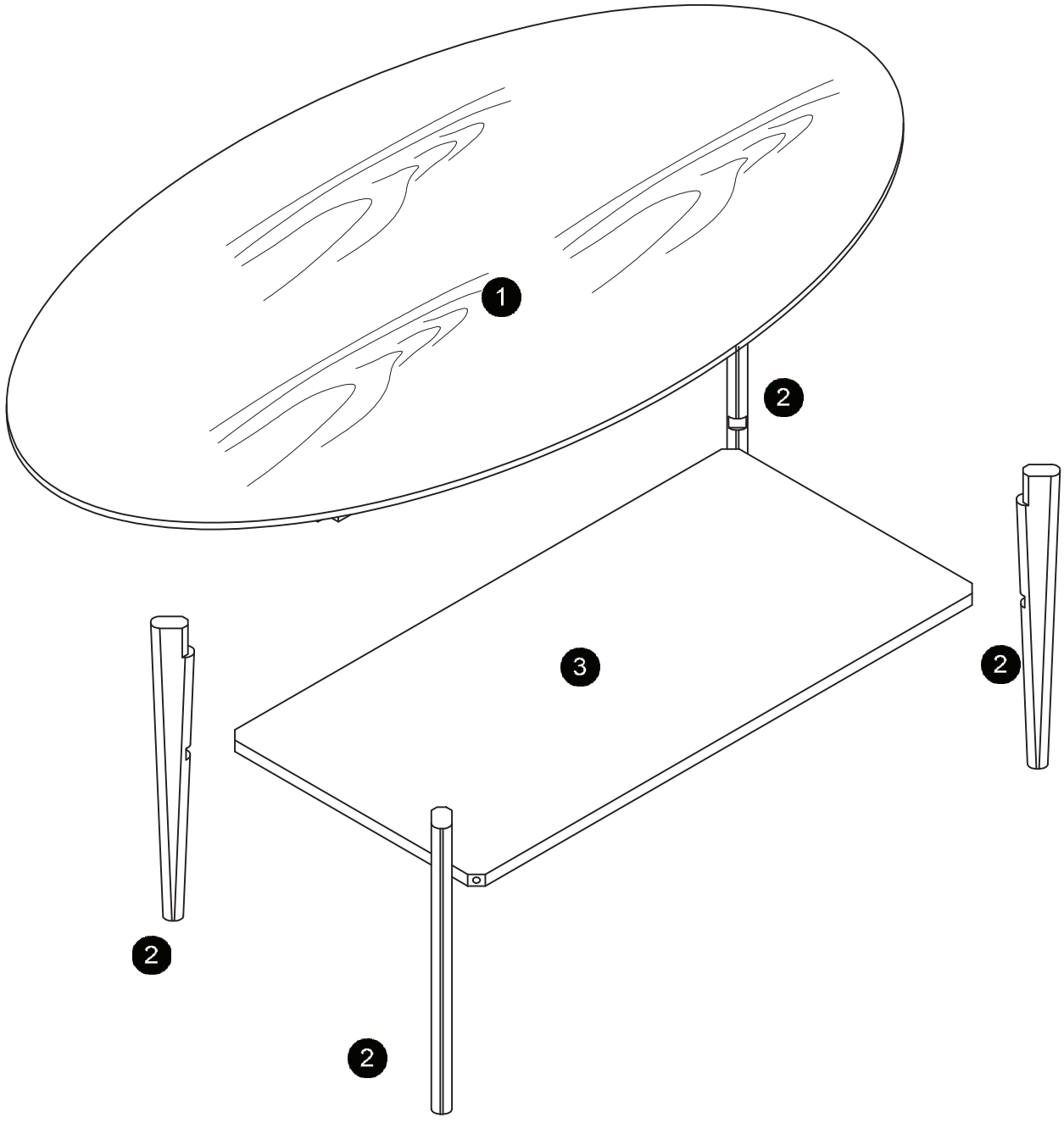






# Elwood

## 176135

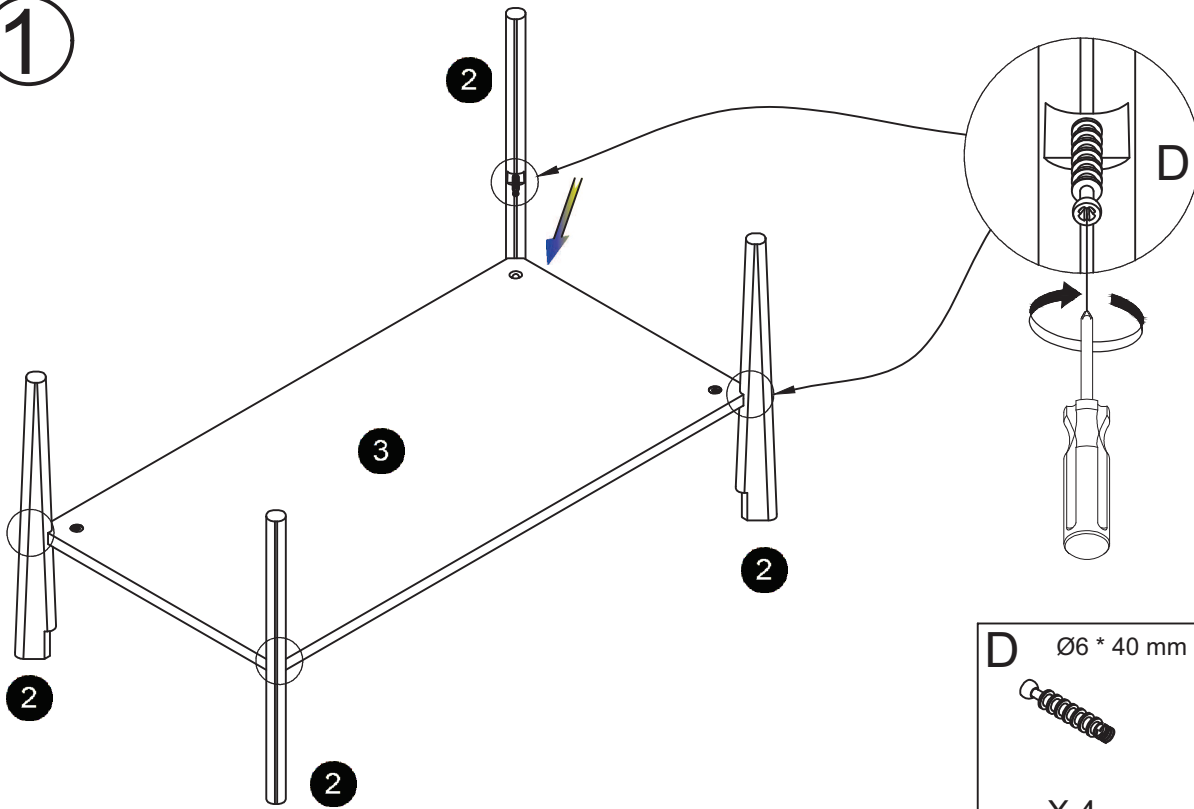



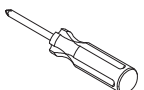
 20 MIN		
--	--	---



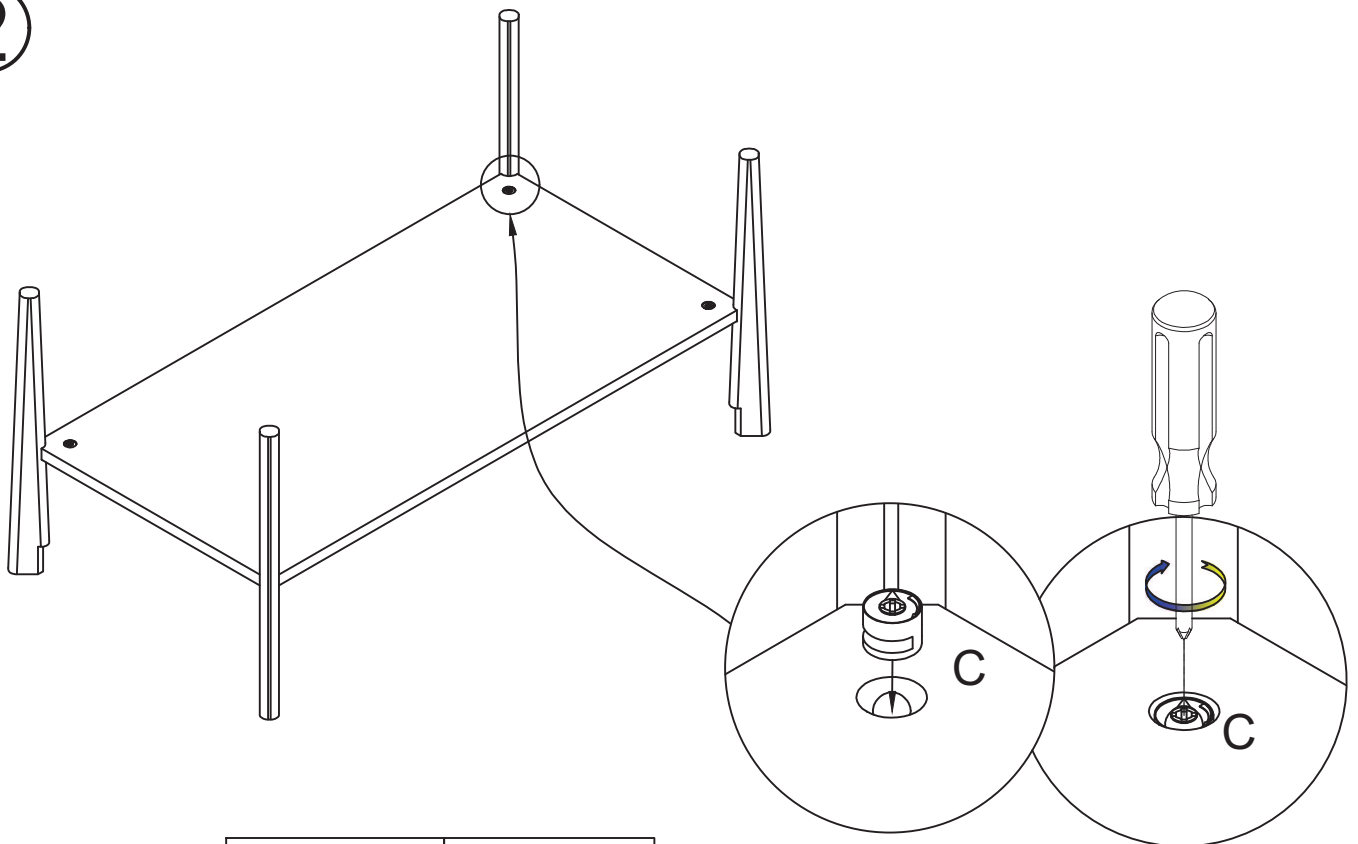
<b>A</b> Ø6 *55mm  X 4	<b>B</b> M4 *100  X 1	<b>C</b> Ø15 * 12 mm  X 4	<b>D</b> Ø6 * 40 mm  X 4
---	--	--	---


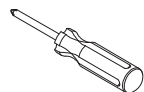
1



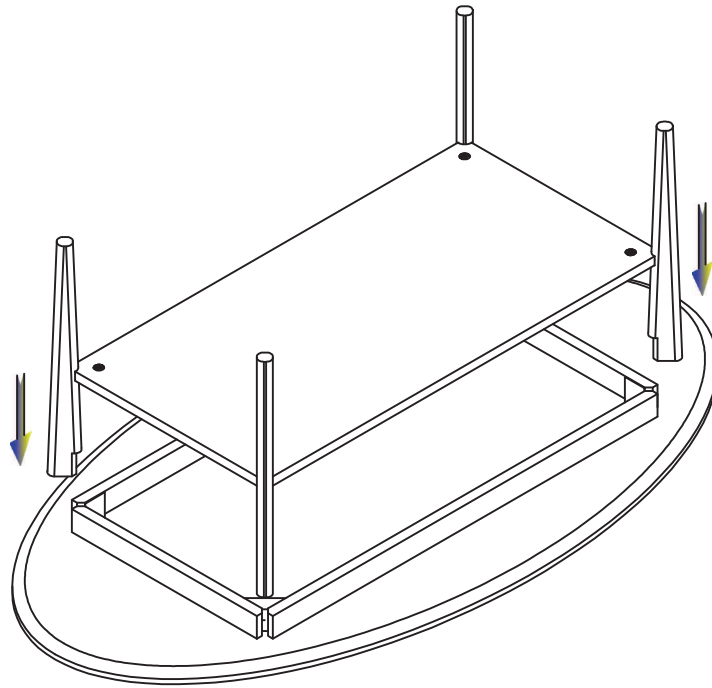
<b>D</b>	$\varnothing 6 * 40 \text{ mm}$
	
X 4	

2

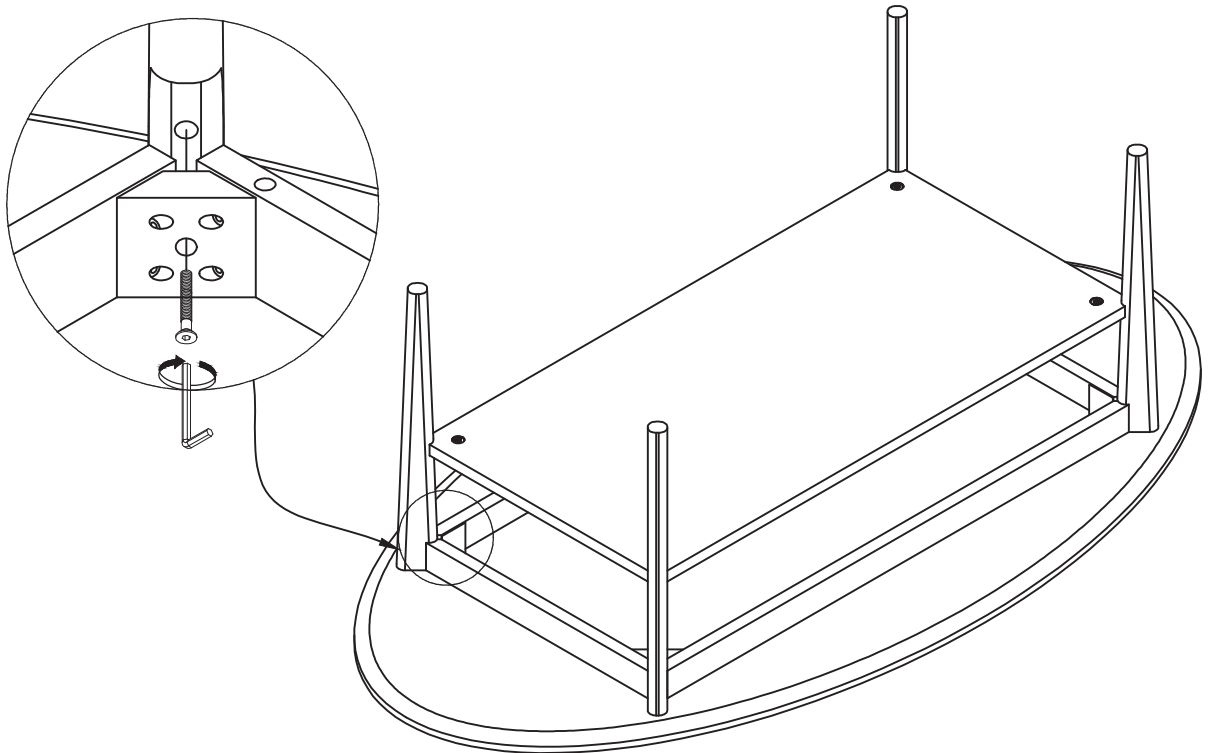




<b>C</b>	$\varnothing 15 * 12 \text{ mm}$
	
X 4	

3



4



<b>A</b> Ø6 *55mm	<b>B</b> M4 *100
	
X 4	X 1