
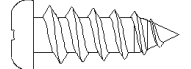
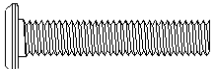

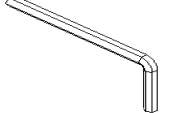


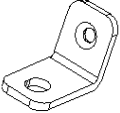
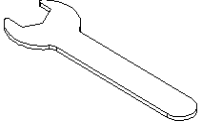

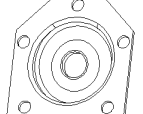
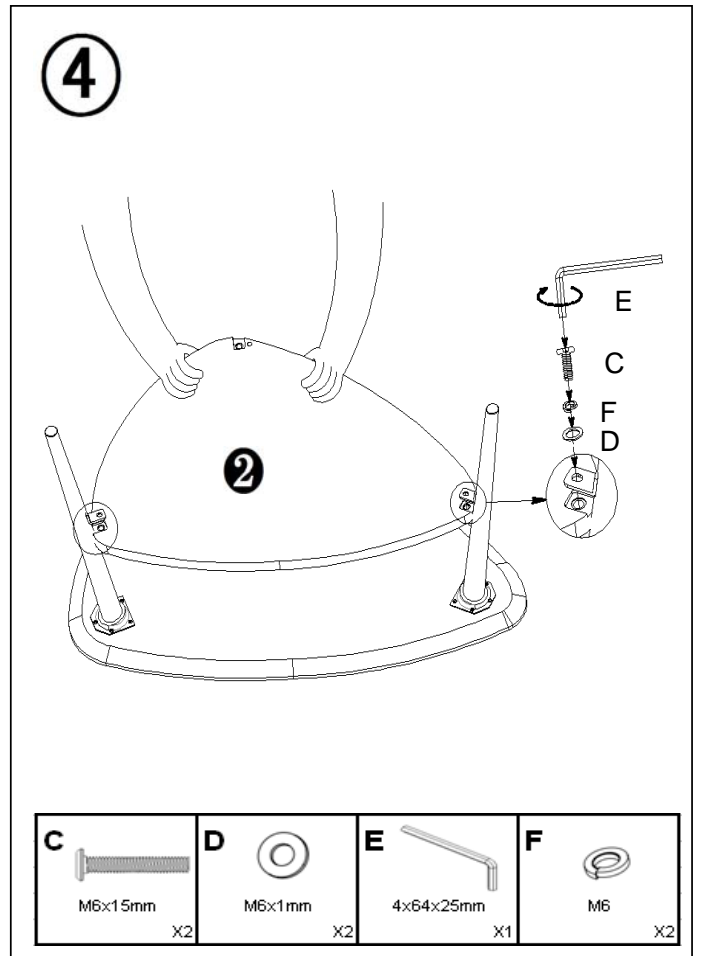
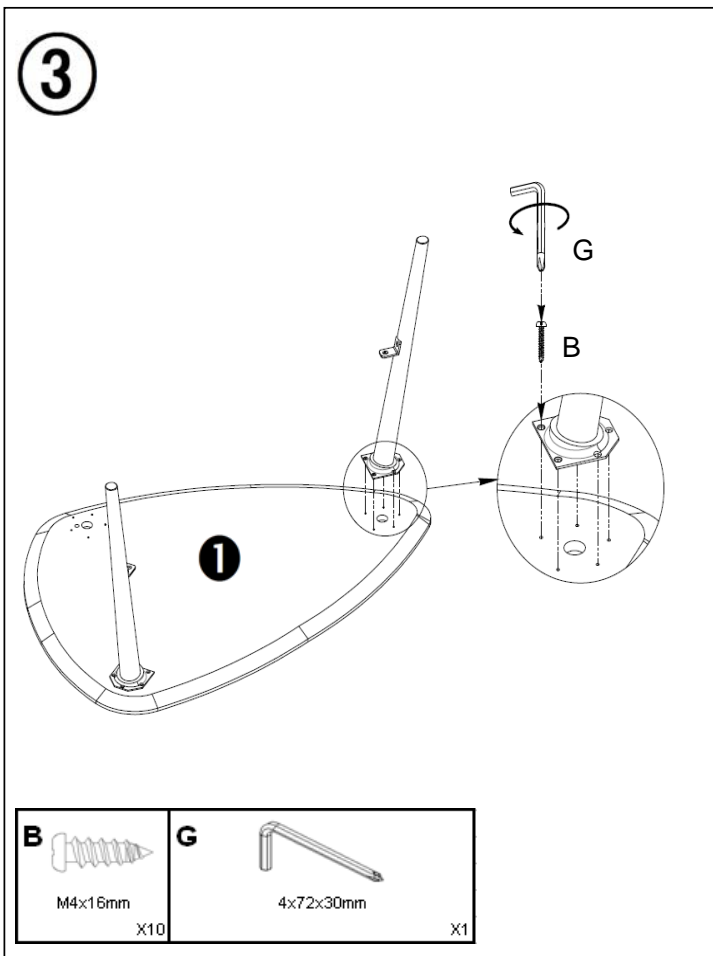
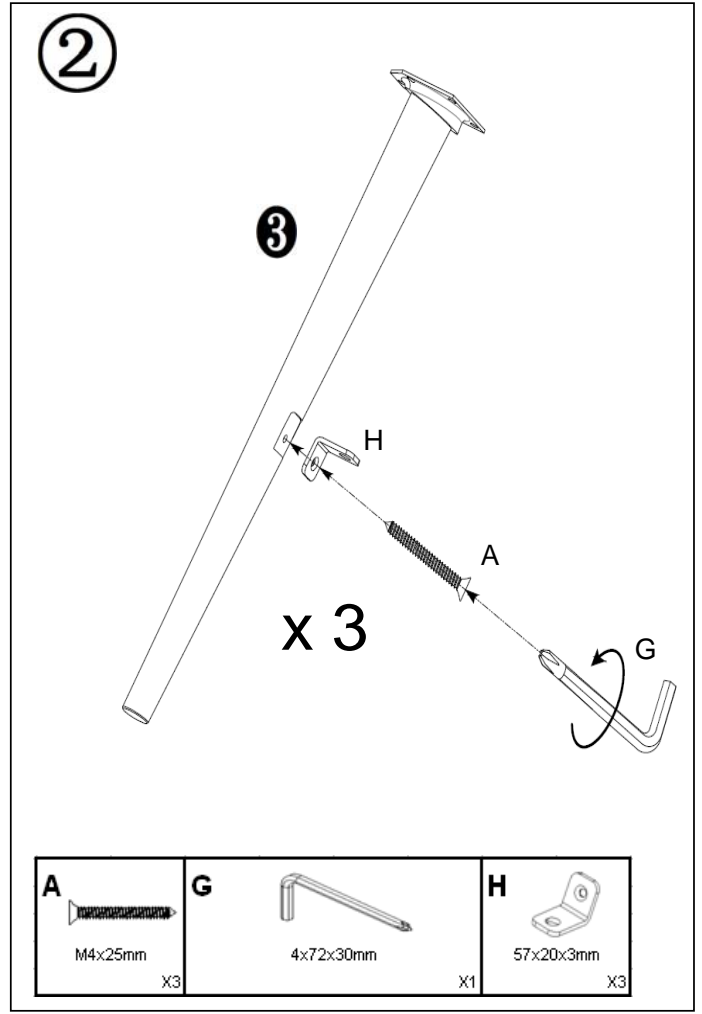
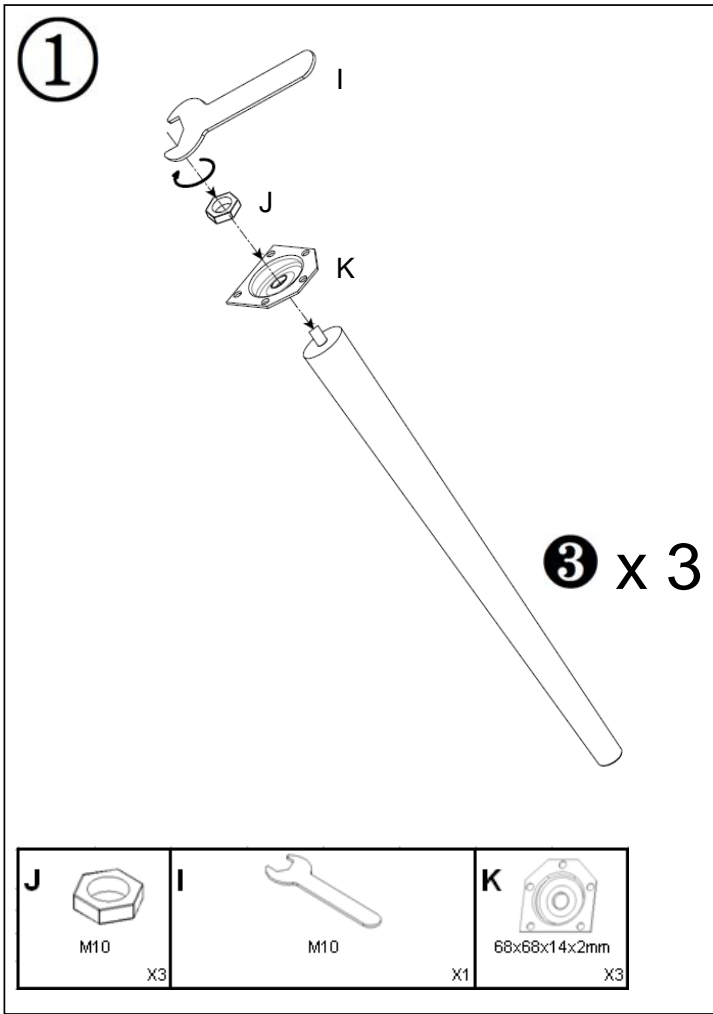
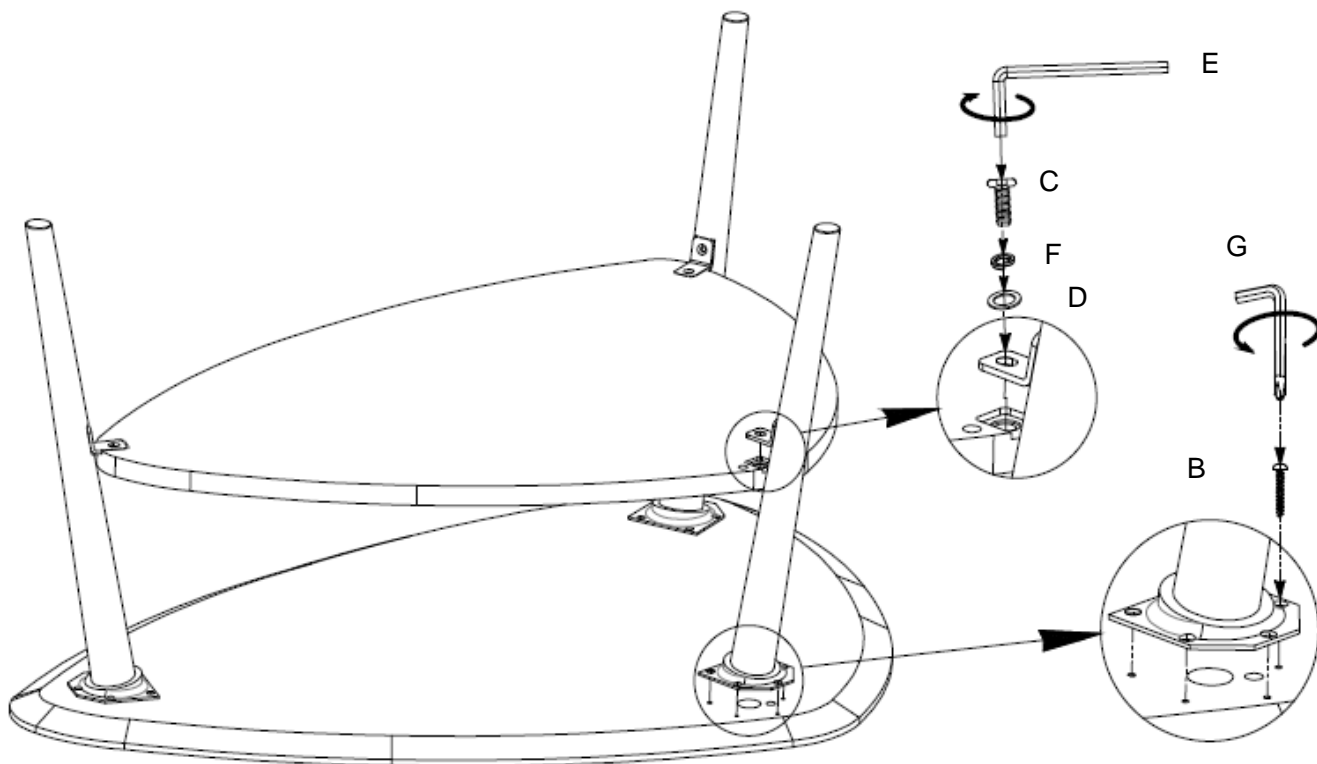
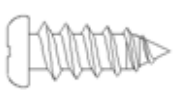







A  M4x25mm X3	B  M4x16mm X15	C  M6x15mm X3	D  M6x1mm X3	E  4x64x25mm X1
F  M6 X3	G  4x72x30mm X1	H  57x20x3mm X3	I  M10 X1	
J  M10 X3	K  68*68*14*2mm X3			



5



B  M4x16mm X5	C  M6x15mm X1	D  M6x1mm X1	E  4x64x25mm X1	G  4x72x30mm X1
F  M6 X1				