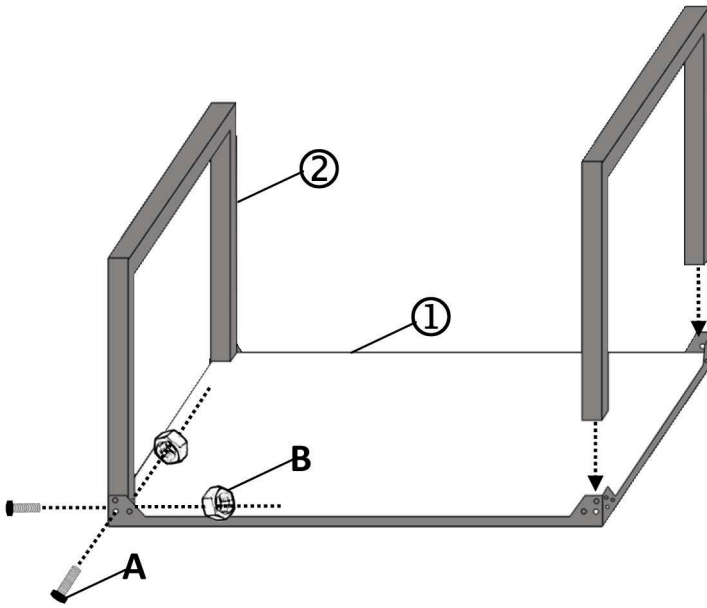
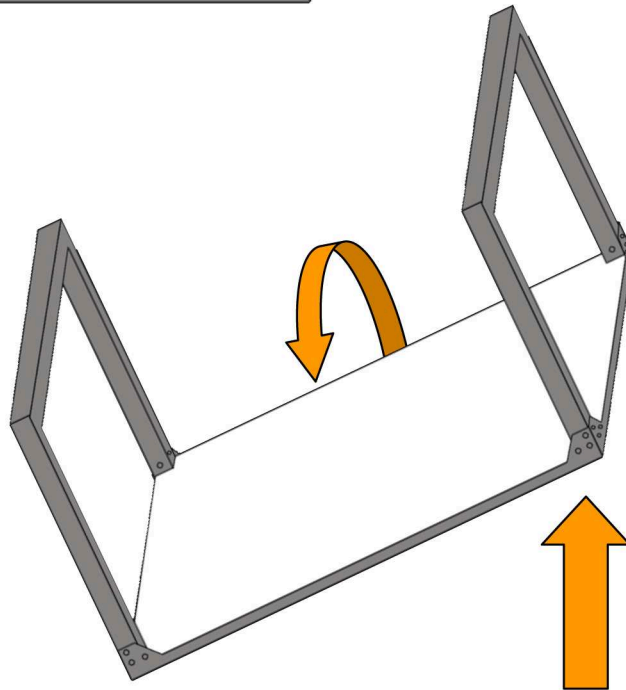


1



10 MIN	
① X 1	② X 2
A X 8	B X 8
C X 1	

2



3

